

Aquatec® ORCA / ORCA F / ORCA XL



en	Bath lift	
	User Manual	3
de	Badewannenlifter	
	Gebrauchsanweisung	29
fr	Élévateur de bain	
	Manuel d'utilisation	61
it	Sollevatore per vasca da bagno	
	Manuale d'uso	91
es	Elevador de bañera	
	Manual del usuario	119
pt	Elevador de banheira	
	Manual de utilização	147
nl	Badlift	
	Gebruiksaanwijzing	175
da	Badekarslift	
	Brugsanvisning	203
no	Badekarheis	
	Bruksanvisning	229
sv	Badkarslyft	
	Bruksanvisning	255
cs	Vanový zvedák	
	Návod k obsluze	281



This manual **MUST** be given to the user of the product.
BEFORE using this product, this manual **MUST** be read and saved for future reference.

AQUATEC®



Yes, you can.®

©2021 Invacare Corporation

All rights reserved. Republication, duplication or modification in whole or in part is prohibited without prior written permission from Invacare. Trademarks are identified by ™ and ®. All trademarks are owned by or licensed to Invacare Corporation or its subsidiaries unless otherwise noted.

Contents

This manual MUST be given to the user of the product.
BEFORE using this product, this manual MUST be read and saved
for future reference.

1 General	4
1.1 Introduction	4
1.2 Symbols in this Document	4
1.3 Warranty	4
1.4 Compliance	5
1.4.1 Product-Specific Standards	5
1.5 Service Life	5
1.6 Limitation of Liability	5
2 Safety	6
2.1 Safety Information	6
2.2 Safety Information on Electromagnetic Compatibility	7
2.3 Labels and Symbols on Product	7
3 Product Overview	9
3.1 Product Description	9
3.2 Intended Use	9
3.3 Components	9
4 Setup	11
4.1 Safety Information	11
4.2 Setting up Bath Lift	11
4.3 Charging Battery	15
5 Usage	16
5.1 Safety Information	16
5.2 Controlling Bath Lift	16
5.3 Bathing	18
6 Transport	19
6.1 Safety information	19
6.2 Removing Bath Lift	19

7 Maintenance	21
7.1 Servicing and Inspection	21
7.2 Cleaning and Disinfection	21
7.2.1 General safety information	21
7.2.2 Cleaning Intervals	22
7.2.3 Cleaning Instructions	22
7.2.4 Disinfection Instructions	23
8 After Use	24
8.1 Storage	24
8.2 Reconditioning	24
8.3 Disposal	24
9 Troubleshooting	25
9.1 Identifying and repairing faults	25
10 Technical Data	27
10.1 Dimensions and weight	27
10.2 Electronic Data	27
10.3 Materials	28
10.4 Environmental Parameters	28

1 General

1.1 Introduction

This user manual contains important information about the handling of the product. To ensure safety when using the product, read the user manual carefully and follow the safety instructions.

Note that there may be sections in this document, which are not relevant to your product, since this document applies to all available models (on the date of printing). If not otherwise stated, each section in this document refers to all models of the product.

The models and configurations available in your country can be found in the country-specific sales documents.

Invacare reserves the right to alter product specifications without further notice.

Before reading this document, make sure you have the latest version. You find the latest version as a PDF on the Invacare website.

If you find that the font size in the printed document is difficult to read, you can download the PDF version from the website. The PDF can then be scaled on screen to a font size that is more comfortable for you.

For more information about the product, for example product safety notices and product recalls, contact your Invacare distributor. See addresses at the end of this document.

In case of a serious incident with the product, you should inform the manufacturer and the competent authority in your country.

1.2 Symbols in this Document

Symbols and signal words are used in this document and apply to hazards or unsafe practices which could result in personal injury or property damage. See the information below for definitions of the signal words.



WARNING

Indicates a hazardous situation that could result in serious injury or death if it is not avoided.



CAUTION

Indicates a hazardous situation that could result in minor or slight injury if it is not avoided.



IMPORTANT

Indicates a hazardous situation that could result in damage to property if it is not avoided.



Tips and Recommendations

Gives useful tips, recommendations and information for efficient, trouble-free use.

1.3 Warranty

We provide a manufacturer's warranty for the product in accordance with our General Terms and Conditions of Business in the respective countries. Warranty claims can only be made through the provider from whom the appliance was obtained.

Covers and suction cups are excluded from this warranty.

1.4 Compliance

Quality is fundamental to the company's operation, working within the disciplines of ISO 13485.

This product features the CE mark, in compliance with the Medical Device Regulation 2017/745 Class I. The launch date of this product is stated in the CE declaration of conformity.

We are continuously working towards ensuring that the company's impact on the environment, locally and globally, is reduced to a minimum.

We only use REACH compliant materials and components.

We comply with the current environmental legislations WEEE and RoHS.

1.4.1 Product-Specific Standards

The product meets the requirements of the standard DIN EN ISO 10535 (Hoists for the transfer of disabled persons).

For further information please contact Invacare in your country (for addresses, see end of this document).

1.5 Service Life

The expected service life of this product is five years when used daily and in accordance with the safety instructions, maintenance intervals and correct use, stated in this manual. The effective service life can vary according to frequency and intensity of use.

1.6 Limitation of Liability

Invacare accepts no liability for damage arising from:

- Non-compliance with the user manual
- Incorrect use
- Natural wear and tear
- Incorrect assembly or set-up by the purchaser or a third party
- Technical modifications
- Unauthorised modifications and/or use of unsuitable spare parts

2 Safety

2.1 Safety Information



WARNING!

Risk of Serious Injury or Damage

Improper use of this product may cause injury or damage.

- If you are unable to understand the warnings, cautions or instructions, contact a health care professional or provider before attempting to use this equipment.
- Do not use this product or any available optional equipment without first completely reading and understanding these instructions and any additional instructional material such as user manual, service manual or instruction sheet supplied with this product or optional equipment.



WARNING!

Risk of injury

- Do not use if defective.
- In the event of a malfunction, contact your provider immediately.
- Do not make any unauthorized changes or alterations to the product.
- Never stand on the bath lift to get into or out of the bathtub, do not use it for climbing or descending, as a lifting platform or for any similar purpose.



WARNING!

- Before first use, clean the product thoroughly.
- Before every use, check the product for damage and ensure that it is securely assembled.



CAUTION!

Risk of Injury

Non-original or wrong parts may affect the function and safety of the product.

- Only use original parts for the product in use.
- Due to regional differences, refer to your local Invacare catalog or website for available options or contact your Invacare distributor. See addresses at the end of this document.

2.2 Safety Information on Electromagnetic Compatibility



WARNING!

Risk of Malfunction due to Electromagnetic Interference

Electromagnetic interference between this product and other electrical equipment can occur and disturb the electrical adjustment functions of this product. To prevent, reduce or eliminate such electromagnetic interference:

- Only use original cables, accessories and spare parts, to not increase electromagnetic emission or reduce electromagnetic immunity of this product.
- Do not use portable radio frequency (RF) communications equipment closer than 30 cm to any part of this product (including cables).
- Do not use this product near active high-frequency surgical equipment and the RF shielded room of a system for magnetic resonance imaging, where the intensity of electromagnetic disturbances is high.
- If disturbances occur, increase the distance between this product and the other equipment or switch it off.



WARNING!

Risk of Malfunction

Electromagnetic interference may cause improper operation.

- Do not use this product adjacent to or stacked with other electrical equipment. If such use is necessary this product and the other equipment must be closely observed to verify that they are operating normally.

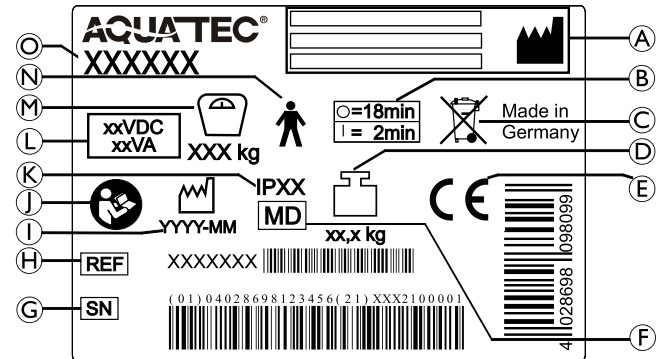


We are not aware of any risk when using products like a cardiac pacemaker.

2.3 Labels and Symbols on Product

Identification Label

The identification label contains important information:



Ⓐ	Manufacturer and Manufacturer address
Ⓑ	Interval of use (continuous operation of the engine is not allowed): max. 2 minutes continuous use followed by a 18 minute break
Ⓒ	Note (disposal)
Ⓓ	Product weight
Ⓔ	European Conformity
Ⓕ	Medical device
Ⓖ	Serial number
Ⓗ	Reference number
Ⓘ	Date of manufacture
Ⓝ	Read user manual
Ⓚ	Type of protection
Ⓛ	Nominal voltage/ rated power, see <i>10 Technical Data, page 27</i>
Ⓜ	Maximum user weight
Ⓝ	Type B applied part
Ⓞ	Product designation



The identification label is applied to the back of the backrest.

3 Product Overview

3.1 Product Description

Aquatec ORCA, ORCA F and ORCA XL are battery powered bath lifts, providing an aid to enter or go out from a bathtub. It is composed of a seat plate (with side flaps integrated) with anti-slip surface.

ORCA and ORCA XL have a rigid backrest that can be lowered by a remote control. ORCA F has a fixed backrest. A seat-and backrest cover is optionally available for all models.

All models consist of a remote control, controlling the seat to go up or down.

The backrest can be equipped with lateral parts to increase support and safety.

3.2 Intended Use

Aquatec ORCA, ORCA F and ORCA XL are intended to be used as an aid to enter or go out from a bathtub safely and without effort.

Intended Users

Users are any person with restricted or limited mobility (e.g. legs and/or hips). If used without an assistant, the user must be able to keep own balance.

Indications

- Restricted or limited mobility (e.g. legs and/or hips) or
- having balance issue to stand up or walk due to transitional or permanent disabilities.

Contraindications

There are no contraindications known when using the product as intended.

The maximum user weight is:

- 140 kg (ORCA / ORCA F)
- 170 kg (ORCA XL)

3.3 Components

The following components are included within the scope of delivery:

Hand Control and Charger

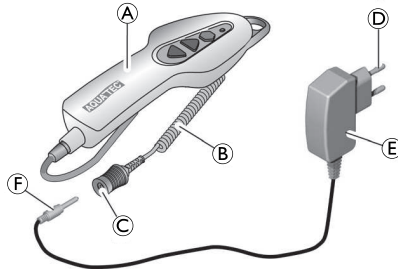


Fig. 3-1

- Ⓐ Hand control with battery
- Ⓑ Spiral cable
- Ⓒ Jack socket
- Ⓓ Mains plug
- Ⓔ Charger
- Ⓕ Jack plug

Seat

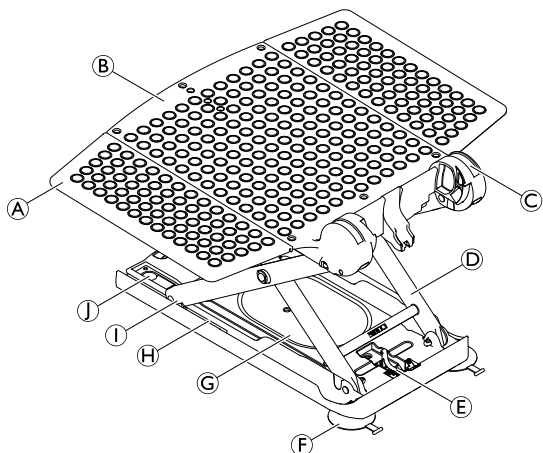


Fig. 3-2

- Ⓐ Side flap
- Ⓑ Seat plate
- Ⓒ Hinge for backrest
- Ⓓ Lifting scissors
- Ⓔ Spindle foot retainer
- Ⓕ Rear suction cups (with thread)
- Ⓖ Base plate
- Ⓗ Guide for the sliding shoe
- Ⓘ Sliding shoe
- ⓵ Front suction cups (one tab with head)

Backrest

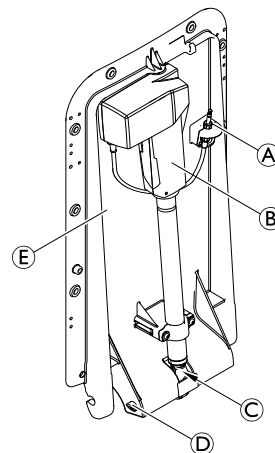


Fig. 3-3

- Ⓐ Jack plug
- Ⓑ Drive
- Ⓒ Spindle foot
- Ⓓ Locking pin
- Ⓔ Plate, backrest

4 Setup

4.1 Safety Information



Risk of Damage

- Check all parts for transport damage and check before usage. Contact your provider if required.
- Ensure during assembly that the parts are positioned correctly with respect to one another.
- It is recommended to wash the covers before first use, refer to *7.2 Cleaning and Disinfection*, page 21.

4.2 Setting up Bath Lift



WARNING!

Risk of Slipping

- The bath lift can slip if the suction cups do not have a proper hold.
- Clean the bathtub and the suction cups with a damp cloth before setting up the bath lift.
 - Do not change the position of the bath lift in the bathtub once it is set up.



WARNING!

Risk of Injury and Damage!

- Only set up the bath lift in bathtubs that comply with the specifications of the following table.
- If a lateral overflow is present in the bathtub, use the special side flaps (available as an accessory).

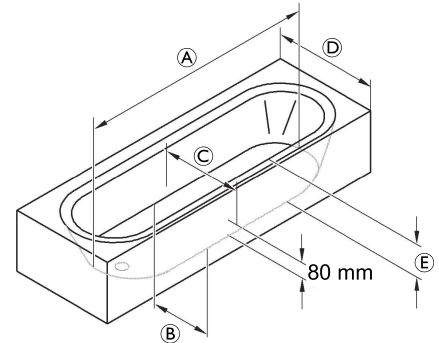


Fig. 4-1

Ⓐ	Tub length, bottom	≥ 800 mm
Ⓑ	Tub width, bottom (inside)	≥ 280 mm
Ⓒ	Tub width, at 80 mm height (inside)	≥ 430 mm

Ⓓ	Tub width (outside)	580 - 690 mm (with special side flaps) 700 - 740 mm (with standard side flaps) 750 - 1000 mm (with special side flaps)
Ⓔ	Tub height (inside)	≤ 420 mm (with height adapter, max. + 60 mm)

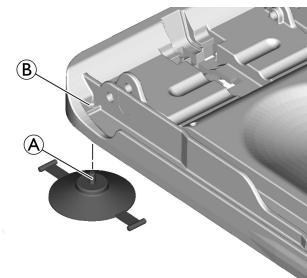


Fig. 4-2

Put rear suction cup with threaded bolt (A) on sleeve nut (B) and screw it in. Screw as far as the suction cup fits the orientation on the graphic.

2.

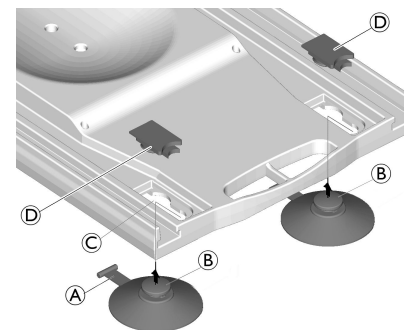


Fig. 4-3

Put toggle (A) through keyhole bore (C) and place it in the corresponding recess. Feed head of suction cup (B) through bore (C) and pull the suction cup forwards. Fix suction cup with red lid (D).

! **Risk of Damage**

- Ensure that the suction cups are mounted properly.
- Ensure that the battery in the hand control is charged.
- When lifting bath lift components, remember to correctly assess the weights, refer to *10.1 Dimensions and weight, page 27*.
- If a handrail is mounted at the inside of the bathtub, use the side flap diverters (available as an accessory).
- Fold the side flaps outwards before folding up the backrest.

1.

3.

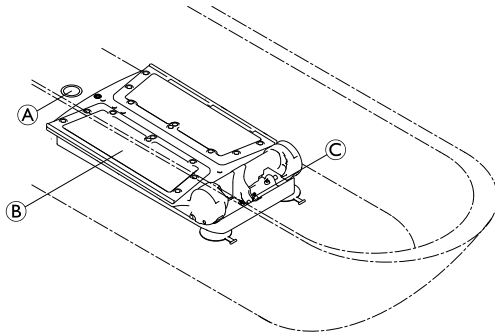


Fig. 4-4

Place the seat **B** on the bottom of the empty bathtub. Ensure that the spindle foot retainer **C** is pointing towards the end of the bathtub opposite the drain **A**.

4.

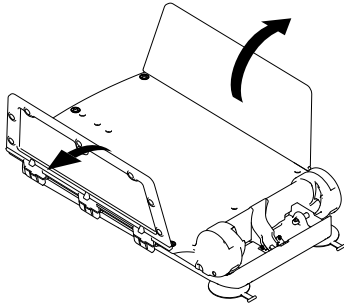


Fig. 4-5

Fold the side flaps of the seat outwards.

5.

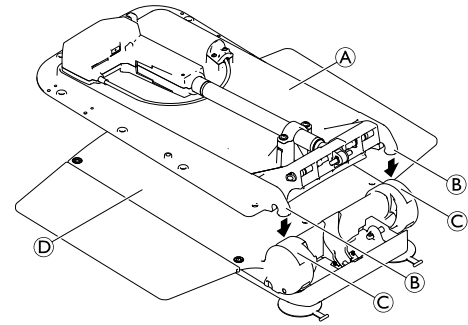


Fig. 4-6

Place the backrest **A** (without the hand control) onto the seat so that the hooks **B** of the backrest fit into the hinges **C** of the seat plate **D**.

6.



Risk of Damage

Damage to the product caused by the spindle foot slipping out.

- Make sure that the spindle is fully retracted and the spindle foot is level and not twisted, before folding up the backrest.
- Once the backrest is folded up, ensure that the spindle foot is in the spindle foot retainer.

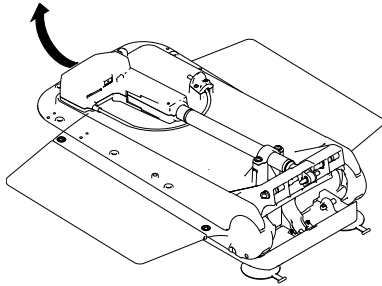


Fig. 4-7

Hold the backrest at the center of the head end and carefully fold the backrest up to the end position.

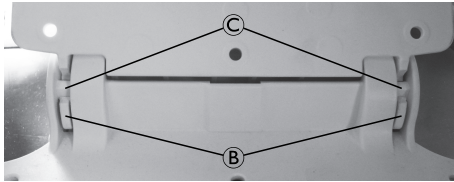
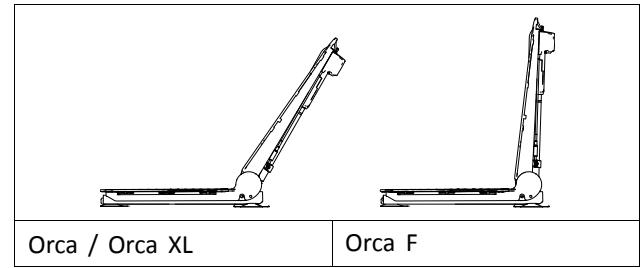


Fig. 4-8

! Risk of Damage

Damage to the product due to incorrect assembly of the backrest.

- Make sure that both hooks **B** of the backrest engage into the hinges **C** of the seat plate.
- Make sure that the backrest is folded up to the end position without exerting force and noticeable resistance. The end position is indicated in the following graphic.



7.

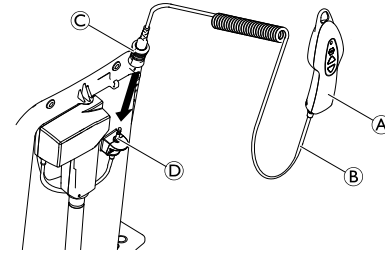


Fig. 4-9

To connect the hand control **A** with the bath lift, plug the jack socket with the unlocking sleeve **C** to the jack plug **D** until the locking mechanism engages noticeably.

! Risk of Damage

- Make sure that the backrest doesn't touch the bathtub edge.
- Place the bath lift further forwards in the bathtub, if necessary. To place the bath lift further forwards in the bathtub lower the bath lift to the bottom, loosen the suction cups and then move the bath lift.

4.3 Charging Battery

The bath lift cannot be used when the battery is charging.



WARNING!

Risk of Electric Shock

- Only recharge the battery in dry rooms at room temperature (15 °C to 25 °C) and never in the bathroom.



Risk of Damage

- Only use the charger supplied to charge the battery in the hand control.
- Only connect the charger to the mains supply when the hand control is connected to the charger.
- Make sure that the voltage specifications shown on the charger correspond to those of the mains supply.

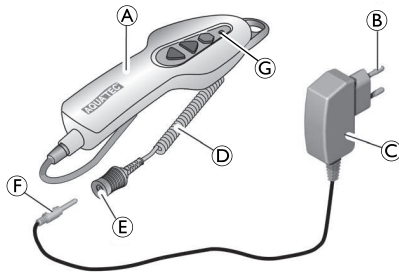


Fig. 4-10

1. Insert the jack plug (F) of the charger (C) into the jack socket (E) on the spiral cable (D) of the hand control (A) until it engages.
2. Insert the mains plug (B) of the charger into a power socket.



The red indicator lamp (G) on the hand control extinguishes when the battery is completely charged. It is not possible to overcharge the battery.

3. Disconnect the charger from the power socket.
4. Pull the jack plug of the charger out of the jack socket of the hand control.

5 Usage

5.1 Safety Information



CAUTION!

Risk of Injury or Damage

Moisture may penetrate into a damaged hand control, which could lead to a short circuit and fire.

- Always perform a visual inspection of the product for external damage before each use.
- If the housing of the hand control is damaged or shows cracks, do not use the hand control.



CAUTION!

Risk of Pinching

- Do not insert fingers into the guide between the seat plate and the backrest.
- Do not grab under the seat plate or between the lifting scissors.



Risk of Damage

Overloading the bath lift can lead to damage to the device or prevent lifting.

- Do not overload the bath lift and observe the specifications on the identification label or refer to *10 Technical Data, page 27* with regard to its load capacity.



Recharge the battery regularly, refer to *3.4 Charging Battery in 4 Setup, page 11*.



For more information about the operating conditions, refer to *10.4 Environmental Parameters, page 28*.

5.2 Controlling Bath Lift

The bath lift can be moved in the following directions:



Fig. 5-1

The bath lift is controlled via the hand control, either by the user or an assistant.



With a fully charged battery, the ORCA and ORCA F can perform 5 bathing operations with a load of 140 kg. The ORCA XL can perform 4 bathing operations with a load of 170 kg.

- Ⓐ Emergency stop button
- Ⓑ Up button
- Ⓒ Hand control
- Ⓓ Down button
- Ⓔ Indicator lamp

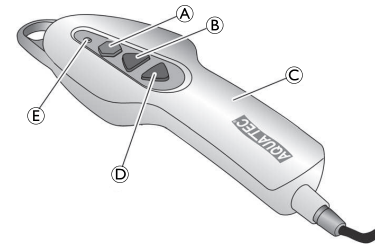



Fig. 5-2


! Risk of Damage

- The hand control may only be used when the backrest is properly installed and in the upright position.

 If the battery in the hand control © is not sufficiently charged, the indicator lamp ⑤ lights up red when the Down button ④ is pressed. In this case, the lowering function of the bath lift is disabled. You can however still raise the lift.


1. Recharge the battery immediately after raising the bath lift.

Raising Bath Lift

 If the backrest is lowered, it will move into the upright position first (not on model ORCA F)

1. Press the Up button ③ on the hand control and keep it pressed.
The backrest moves into the upright position or the seat moves upwards.
2. Release the Up button on the hand control.
The bath lift stops in the current position.

Lowering Bath Lift

 If the seat is already lowered, the backrest lowers towards the rear (not on model ORCA F).

1. Press the Down button ④ on the hand control and keep it pressed.
The seat moves downwards or the backrest tilts to the rear.
2. Release the Down button on the hand control.
The bath lift stops in the current position.

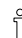
Emergency Stop Button

! Risk of Damage

Only press the emergency stop button ① if the device does not stop immediately when the Up or Down button is released (e.g. if a button jams). The bath lift stops moving immediately and the indicator lamp on the hand control lights up.

If the red indicator light switches off after the emergency stop button is released, the fault has been rectified (e.g. button is released again). The device is ready to use again.

If the red indicator light stays on after the emergency stop button is released, the fault has not yet been rectified. The device is not ready for use and must be repaired, for example, in case of an electronic damage.

 Contact your provider, if necessary.

5.3 Bathing



WARNING!

Risk of Slipping

The bath lift can slip if the suction cups do not have a proper hold.

- Before using the bath lift ensure that it is securely positioned and cannot tip over.
- Ensure that the bath lift is set up in a bathtub with the correct dimensions, refer to 4.2 *Setting up Bath Lift, page 11.*



WARNING!

Risk of Injury

- If your condition means that you cannot take a bath on your own, only use the device with supervision.
- If operating the device without supervision, make sure to have an alarm system or telephone within reach in case of unforeseen events (e.g. malfunctions).
- Before using, check the temperature of the bath water.



Risk of Damage

- Bath oils or salts can impair the performance of the lifting scissors.
- If using such bath additives, do not exceed the recommended dose.



Run the unloaded lift once to the top and then back to the bottom (function test).

1. Press and hold the Up button until the seat is level with the edge of the bathtub.
2. Make sure that the side flaps are level with the seat and rest flat on the edge of the bathtub (initial position).
3. Fill the bathtub with water.
4. Sit on the side flap nearest to you as you would on a chair.
5. Slide backwards until you are sitting in the middle of the seat.
6. Turn yourself into the bathing position, by lifting one leg and then the other over the edge of the bathtub.
7. Once you are sitting correctly, press and hold the Down button to lower the seat into the bathtub.



Once the seat has reached the lowest position, it is possible to recline the backrest by continuing to hold the Down button. This produces a more comfortable bathing position and allows you to immerse yourself deeper in the bath water (not on model ORCA F).

8. Keep the Down button pressed until the backrest has reached the desired position.



To get out of the bathtub, follow these steps in reverse order.

9. To raise the backrest or the bath lift, press and hold the Up button until the seat is at the same level with the bathtub edge.



Risk of Damage

- Disconnect the hand control from the device when the bath lift is not in use, refer to 6.2 *Removing Bath Lift, page 19, step 3.*

6 Transport

6.1 Safety information

- ! Risk of Damage**
- The backrest is not locked on the seat when it is folded and can come apart.

1. Remove the hand control.
2. Disassemble the bath lift into two sections for transport (base frame with seat plate and backrest), refer to 6.2 *Removing Bath Lift, page 19.*

- ! Risk of Damage**
- Do not remove the suction cups when transporting the bath lift.
 - Refer to the storage and shipping conditions in chapter 10.4 *Environmental Parameters, page 28.*

6.2 Removing Bath Lift

1. Let the water out of the bathtub.
2. Lower the bath lift using the Down button until the backrest stops in the lowered end position, refer to 5.2 *Controlling Bath Lift, page 16.*
3. Unlock the jack socket on the spiral cable of the hand control by pushing up the unlocking sleeve and pull it off the jack plug.

4.

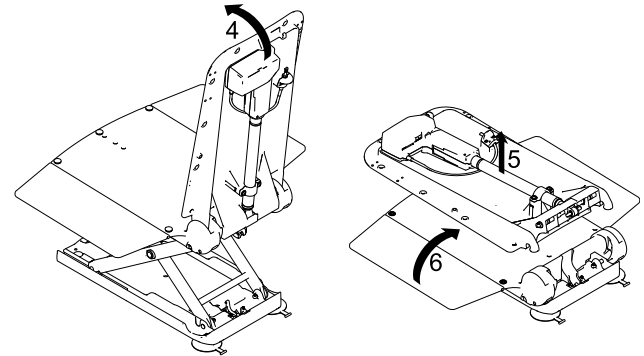


Fig. 6-1

Hold the backrest at the head end with one hand and slowly fold the backrest forwards to the end position.

- ! Risk of Damage**
- Do not fold the backrest down if water is in the bathtub.
 - Before folding the backrest down, ensure that the backrest is completely in the lowered position.
 - When folding the backrest down, ensure that the spiral cable of the hand control does not become trapped.

5. Pull the backrest up off the seat and out of the bathtub.
6. Fold the side flaps of the seat inwards.

7.

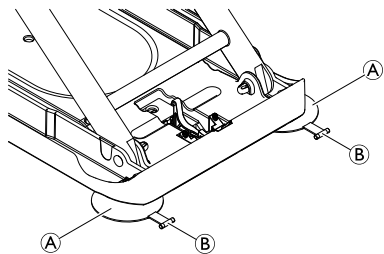




Fig. 6-2


Release the rear suction cups ① by pulling up on the protruding tabs ②.

 Release both rear suction cups simultaneously.

8. Lift the rear of the seat slightly. This releases the front suction cups.

 If the height adapters have been installed (optional), you also have to pull the tabs of the front suction cups to release them.

9. Take the base frame with seat plate out of the bathtub.

 Make sure that all suction cups are detached before taking the seat out of the bathtub.

10. Carefully store all components of the bath lift.

7 Maintenance

7.1 Servicing and Inspection

The UK Health and Safety Executive's Lifting Operations and Lifting Equipment Regulations 1998 (LOLER), require any equipment that is used in the workplace (e.g. by a paid carer) to lift a load be subject to safety inspection on a six monthly basis. Please refer to the HSE web site for guidance www.hse.gov.uk. Link to HSE information document on LOLER in Health and Social Care: <http://www.hse.gov.uk/pubns/hsis4.pdf>

If the cleaning and safety notices are observed, the product is maintenance free.



Risk of Damage

The hand control may only be opened by the manufacturer of the bath lift.

1. Check the product regularly for damage and to ensure that it is securely assembled.
2. In the event of damage and/or necessary repairs, contact the dealer immediately.
3. The bath lift must be checked by an authorized dealer before every re-use. It is recommended to check the bath lift after 24 months at the latest (in accordance with DIN EN ISO 10535).
4. If the bath lift is not used for a prolonged period, charge the battery completely and then raise and lower the bath lift 3 times without load. Repeat this process every 3 months. This helps to maintain the service life of the battery.

7.2 Cleaning and Disinfection

7.2.1 General safety information



CAUTION!

Risk of contamination

- Take precautions for yourself and use appropriate protective equipment.



CAUTION!

Risk of electric shock and product damage

- Switch off the device and disconnect from mains, if applicable.
- When cleaning electronic components consider their protection class regarding water ingress.
- Make sure that no water splashes to the plug or the wall outlet.
- Do not touch the power socket with wet hands.

! **IMPORTANT!**

- Wrong fluids or methods can harm or damage the product.
- All cleaning agents and disinfectants used must be effective, compatible with one another and must protect the materials they are used to clean.
 - Never use corrosive fluids (alkalines, acid etc.) or abrasive cleaning agents. We recommend an ordinary household cleaning agent such as dishwashing liquid, if not specified otherwise in the cleaning instructions.
 - Never use a solvent (cellulose thinner, acetone etc.) that changes the structure of the plastic or dissolves the attached labels.
 - Always make sure that the product is completely dried before taking into use again.



For cleaning and disinfection in clinical or long-term care environments, follow your in-house procedures.

7.2.2 Cleaning Intervals

! **IMPORTANT!**

- Regular cleaning and disinfection enhances smooth operation, increases the service life and prevents contamination.
- Clean and disinfect the product
- regularly while it is in use,
 - before and after any service procedure,
 - when it has been in contact with any body fluids,
 - before using it for a new user.

7.2.3 Cleaning Instructions

The product can be cleaned using commercially available agents.

Cleaning Seat and Backrest



CAUTION!
Risk of Pinching

- Be especially careful when cleaning in the area of the lifting scissors, as they may move and cause injury.




Risk of Damage

- Never use a high-pressure cleaner to clean the backrest.

1. Wash the product using a cloth or a brush.
2. Rinse the product with warm water.

3. Dry the product with a cloth.
4. Lightly grease the guide for the sliding shoe (refer to Fig. 3.1, callout ④ in chapter 3.3 *Components, page 9*) using Vaseline.

Cleaning Covers (Optional)

 It is recommended to wash the covers before first use. For hygienic reasons it is recommended to clean the covers regularly and exchange the covers yearly.

1. Unbutton the covers from the seat and backrest.
2. Wash the covers in a washing machine at max. 60 °C using a mild detergent.



Risk of Damage

- Washing at high temperatures can cause damage or shrinkage to the cover.
- Do not dry covers in the tumble dryer.

Cleaning Charger and Hand Control



WARNING!

Risk of Electric Shock

- Always disconnect the plug from the power socket before cleaning the charger.
- Never insert objects made of conductive material (e.g. knitting needles, metal pins) into the jack socket of the hand control.
- Never use a wet or damp cloth to clean the charger.

1. Clean the charger with a dry cloth.
2. Clean the hand control with a damp cloth.
3. Use dry cloth to dry the hand control.

7.2.4 Disinfection Instructions



Information on recommended disinfectants and methods can be found on <https://vah-online.de/en/for-users>.

In Domestic Care

Method: Follow the application notes for the used disinfectant and wipe-disinfect all accessible surfaces.

Disinfectant: Ordinary household disinfectant.

Drying: Allow the product to air-dry.

In Clinical and Long Term Care

Follow your in-house disinfection procedures and only use the disinfectants and methods specified therein.

8 After Use

8.1 Storage



Risk of Damage

- Do not store the product near heat sources.
- Do not store battery near naked flames.
- Do not expose the product to direct sunlight.
- Refer to the storage and shipping conditions in section *10.4 Environmental Parameters, page 28*.

8.2 Reconditioning

This product is suitable for reuse. To recondition the product for a new user, carry out the following actions:

- Inspection
- Cleaning and disinfection

For detailed information, see *7 Maintenance, page 21* and the service manual for this product.

Make sure that the user manual is handed over with the product.

If any damage or malfunction is detected, do not reuse the product.

8.3 Disposal



WARNING!

Environmental Hazard

Device contains batteries.

This product may contain substances that could be harmful to the environment if disposed of in places (landfills) that are not appropriate according to legislation.

- DO NOT dispose of batteries in normal household waste.
- DO NOT throw batteries into a fire.
- Batteries MUST be taken to a proper disposal site. The return is required by law and free of charge.
- Only dispose of discharged batteries.
- Cover terminals of lithium batteries prior to disposal.
- For information on the battery type see battery label or chapter *10 Technical Data, page 27*.

Be environmentally responsible and recycle this product through your recycling facility at its end of life.

Disassemble the product and its components, so the different materials can be separated and recycled individually.

The disposal and recycling of used products and packaging must comply with the laws and regulations for waste handling in each country. Contact your local waste management company for information.

9 Troubleshooting

9.1 Identifying and repairing faults



The following table provides information on malfunctions and their possible causes. If you cannot correct the malfunction using the remedies named, please contact your dealer directly.

Fault	Possible cause	Remedy
No motor noise audible/lift does not move.	Jack socket of the hand control is not engaged correctly.	Engage the jack socket, → 4.2 <i>Setting up Bath Lift, page 11.</i>
	Battery is flat.	Recharge the battery completely, → 4.3 <i>Charging Battery, page 15.</i>
	Contacts are dirty.	Clean the plug on the backrest, → contact your dealer, if necessary.
	Cable is crushed/damaged.	Replace the hand control, → contact your dealer, if necessary.
The lift can be raised but not lowered.	Low-voltage protection is activated.	Recharge the battery completely, → 4.3 <i>Charging Battery, page 15.</i>
The lift stops while being raised.	Excessive load.	Observe maximum load, → 10.1 <i>Dimensions and weight, page 27.</i>
The bath lift is not adhering securely to the bathtub.	Suction cups are old or damaged.	Replace the suction cups, → contact your dealer, if necessary.
Battery is not charging and the red indicator light flashes during charging	Faulty electronics.	Have your authorized dealer check the hand control.
	Faulty battery.	Replace the hand control.

Fault	Possible cause	Remedy
	Faulty charger.	Have your authorized dealer check the charger.
	Battery is too hot.	Do not charge the hand control near heat sources, e.g. heating elements, direct sunlight. Charging continues automatically once the temperature drops to the permissible limits.

10 Technical Data

10.1 Dimensions and weight

Total length at lowest position	920 mm
Total length at highest position	650 mm
Total height at highest position	1075 mm
Seat length	590 mm
Seat width with side flaps folded out	715 mm
Seat width with side flaps folded in	390 mm
Seat height at lowest position	60 mm
Seat height at highest position	420 mm
Backrest width	360 mm
Minimum angle of backrest	8°
Base plate width	295 mm
Max. load (ORCA / ORCA F) Max. load (ORCA XL)	140 kg 170 kg
Total weight without hand control (ORCA) (ORCA F) (ORCA XL)	10,8 kg 11,4 kg 11,6 kg
Seat weight (ORCA) (ORCA F) (ORCA XL)	6,6 kg 7,2 kg 7,4 kg
Backrest weight (ORCA / ORCA F / ORCA XL)	4,2 kg

Hand control weight	0,4 kg
Charger weight	0,1 kg

10.2 Electronic Data

Activation force for the buttons of the hand control	< 5 N
Hand control operating voltage ¹⁾	11.1 V DC / 10.95 V DC / 10.8 V DC
Rated input power ¹⁾	44 VA / 43 VA
Rated current	4 A
Battery type	Lithium-ion
Charger input	100 - 240 V AC, 50 - 60 Hz
Charger output	24 V DC, 135 mA, 3 VA
Charge time from low-voltage warning	approx. 4.5 h
Type of protection, drive	IP X6 W ²⁾
Type of protection, hand control	IP 67 ³⁾
Type of protection, entire device	IP X6 ⁴⁾
Sound power level	52 dB(A)

The actuator does not switch off when product is overloaded. Do not overload the bath lift to avoid damages.

1) 11.1 V DC / 44 VA valid when using hand controls with voltage 11.1 V, indicated on the back of the hand control.
 10.95 V DC / 44 VA valid when using hand controls with voltage 10.95 V, indicated on the back of the hand control.
 10.8 V DC / 43 VA valid when using hand controls with voltage 10.8 V, indicated on the back of the hand control.

2) Protected against the penetration of water in the event of strong jets of water, tested under stipulated weather conditions.

3) Dust-proof and protected against the penetration of water during temporary immersion.

4) Protected against the penetration of water in the event of strong jets of water.

10.3 Materials

Backrest	PPGF
Seatplate	PPGF
Covers	PVC



All materials used are corrosion resistant and latex free.

10.4 Environmental Parameters

Operating conditions	
Ambient temperature	10 - 40 °C
Relative humidity	15 % - 93 %, non-condensing
Atmospheric pressure	795 - 1060 hPa

Storage and shipping conditions	
Ambient temperature	0 - 40 °C
Relative humidity	30 % - 75 %, non-condensing
Atmospheric pressure	795 - 1060 hPa

Inhaltsverzeichnis

Diese Gebrauchsanweisung MUSS dem Benutzer des Produkts ausgehändigt werden. VOR der Verwendung dieses Produkts MUSS die Gebrauchsanweisung gelesen werden. Bewahren Sie sie auf, um später darin nachschlagen zu können.

1 Allgemein	30
1.1 Einleitung	30
1.2 Symbole in diesem Dokument	30
1.3 Garantie	31
1.4 Konformität	31
1.4.1 Produktspezifische Normen	31
1.5 Nutzungsdauer	31
1.6 Beschränkung der Haftung	31
2 Sicherheit	33
2.1 Sicherheitsinformationen	33
2.2 Sicherheitshinweise zur elektromagnetischen Verträglichkeit	34
2.3 Schilder und Symbole auf dem Produkt	35
3 Produktübersicht	36
3.1 Produktbeschreibung	36
3.2 Anwendungszweck	36
3.3 Komponenten	36
4 Inbetriebnahme	38
4.1 Sicherheitsinformationen	38
4.2 Aufstellen des Badewannenlifters	38
4.3 Laden des Akkus	42
5 Verwenden	44
5.1 Sicherheitsinformationen	44
5.2 Steuerung des Badewannenlifters	44
5.3 Baden	46
6 Transport	48
6.1 Sicherheitsinformationen	48

6.2 Entfernen des Badewannenlifters	48
7 Instandhaltung	50
7.1 Wartung und Inspektion	50
7.2 Reinigung und Desinfektion	50
7.2.1 Allgemeine Sicherheitsinformationen	50
7.2.2 Reinigungsintervalle	51
7.2.3 Reinigungsanweisungen	51
7.2.4 Desinfektionsanweisungen	52
8 Nach dem Gebrauch	54
8.1 Lagerung	54
8.2 Wiederaufbereitung	54
8.3 Entsorgung	54
9 Problembehandlung	56
9.1 Erkennen und Beheben von Mängeln	56
10 Technische Daten	58
10.1 Abmessungen und Gewicht	58
10.2 Elektronische Daten	58
10.3 Materialien	59
10.4 Umweltparameter	59

1 Allgemein

1.1 Einleitung

Diese Gebrauchsanweisung enthält wichtige Informationen zur Handhabung des Produkts. Lesen Sie die Gebrauchsanweisung sorgfältig durch und befolgen Sie die Sicherheitsanweisungen, damit eine sichere Verwendung des Produkts gewährleistet ist.

Beachten Sie, dass dieses Dokument Abschnitte enthalten kann, die für Ihr Produkt nicht von Bedeutung sind, da dieses Dokument sämtliche zum Zeitpunkt der Drucklegung verfügbaren Modelle abdeckt. Sofern nicht anders angegeben, bezieht sich jeder Abschnitt dieses Dokuments auf alle Modelle des Produkts.

In den länderspezifischen Vertriebsdokumenten sind alle in Ihrem Land verfügbaren Modelle und Konfigurationen aufgeführt.

Invacare behält sich das Recht vor, Produktspezifikationen ohne vorherige Ankündigung abzuändern.

Vergewissern Sie sich vor dem Lesen dieses Dokuments, dass Sie die aktuelle Fassung haben. Die jeweils aktuelle Fassung können Sie als PDF-Datei von der Invacare-Webseite herunterladen.

Wenn die gedruckte Ausführung des Dokuments für Sie aufgrund der Schriftgröße schwer zu lesen ist, können Sie die entsprechende PDF-Version von der Invacare-Website herunterladen. Sie können das PDF-Dokument dann auf dem Bildschirm so anzeigen, dass die Schriftgröße für Sie angenehmer ist.

Weitere Informationen zum Produkt, z. B. Informationen zu Produktsicherheitshinweisen oder zu einem Produktrückruf, erhalten Sie von Ihrem Invacare-Vertreter. Die entsprechenden Adressen finden Sie am Ende dieses Dokuments.

Bei einem ernsthaften Vorfall mit dem Produkt informieren Sie bitte den Hersteller und die zuständige Behörde in Ihrem Land.

1.2 Symbole in diesem Dokument

In diesem Dokument werden Symbole und Signalwörter verwendet, um auf Gefahren oder unsichere Praktiken hinzuweisen, die zu Verletzungen oder Sachschaden führen können. Die Definitionen der verwendeten Signalwörter finden Sie in der nachfolgenden Tabelle.



WARNUNG

Weist auf eine gefährliche Situation hin, die bei Nichtbeachtung zu schweren Verletzungen oder zum Tod führen kann.



VORSICHT

Weist auf eine gefährliche Situation hin, die bei Nichtbeachtung zu leichten Verletzungen führen kann.

! **WICHTIG**
Weist auf eine gefährliche Situation hin, die bei Nichtbeachtung der Hinweise zu Sachschäden führen kann.

i **Tipps und Empfehlungen**
Enthalten nützliche Tipps, Empfehlungen und Anleitungen für eine effiziente und problemlose Verwendung.

1.3 Garantie

Wir gewähren für das Produkt eine Herstellergarantie gemäß unseren Allgemeinen Geschäftsbedingungen für das jeweilige Land. Garantieansprüche können nur über den Anbieter geltend gemacht werden, von dem das Produkt bezogen wurde.

Bezüge und Saugnäpfe sind von dieser Garantie ausgeschlossen.

1.4 Konformität

Qualität ist für das Unternehmen entscheidend. Alle Abläufe sind nach den Anforderungen von ISO 13485 ausgerichtet.

Dieses Produkt ist mit dem CE-Kennzeichen versehen und erfüllt die europäische Verordnung 2017/745 über Medizinprodukte der Klasse 1. Das Markteinführungsdatum des Produkts ist in der CE-Konformitätserklärung aufgeführt.

Wir setzen uns kontinuierlich dafür ein, die Umwelt durch unsere Unternehmenstätigkeit sowohl direkt vor Ort als auch weltweit möglichst wenig zu beeinträchtigen.

Wir verwenden ausschließlich REACH-konforme Materialien und Bauteile.

Die aktuellen Umweltschutzbestimmungen WEEE (Richtlinie über Elektro- und Elektronik-Altgeräte) und RoHS (Richtlinie zur Beschränkung der Verwendung bestimmter gefährlicher Stoffe in Elektro- und Elektronikgeräten) werden von uns eingehalten.

1.4.1 Produktspezifische Normen

Dieses Produkt entspricht den Anforderungen der Norm DIN EN ISO 10535 (Lifter zum Transport von behinderten Menschen).

Weitere Informationen erhalten Sie bei der Niederlassung von Invacare in Ihrem Land (Anschriften finden Sie am Ende dieses Dokuments).

1.5 Nutzungsdauer

Die Nutzungsdauer dieses Produkts beträgt fünf Jahre, vorausgesetzt, es wird täglich und in Übereinstimmung mit den in dieser Gebrauchsanweisung aufgeführten Sicherheitshinweisen, Wartungsintervallen und korrekten Verfahrensweisen verwendet. Die tatsächliche Haltbarkeitsdauer kann abhängig von Häufigkeit und Intensität der Verwendung variieren.

1.6 Beschränkung der Haftung

Invacare übernimmt keine Haftung für Schäden aufgrund von:

- Nichteinhaltung der Gebrauchsanweisung

- falscher Verwendung
- normalem Verschleiß
- falscher Montage oder Einrichtung durch den Käufer oder einen Dritten
- technischen Änderungen
- unbefugten Änderungen bzw. Einsatz nicht geeigneter Ersatzteile

2 Sicherheit

2.1 Sicherheitsinformationen

**WARNUNG!****Gefahr von schweren Verletzungen oder Sachschäden**

Die unsachgemäße Verwendung dieses Produkts kann zu Verletzungen oder Sachschäden führen.

- Falls Ihnen die Warnungen, Sicherheitshinweise und Anweisungen unverständlich sind, wenden Sie sich an einen Arzt oder den Anbieter, bevor Sie das Produkt verwenden.
- Verwenden Sie dieses Produkt oder optionales Zubehör erst, nachdem Sie diese Anweisungen und mögliches zusätzliches Anweisungsmaterial – wie die zum Produkt oder optionalen Zubehör gehörende(n) Gebrauchsanweisung, Servicehandbücher oder Merkblätter – vollständig gelesen und verstanden haben.

**WARNUNG!****Verletzungsgefahr**

- Defekte Produkte nicht verwenden.
- Wenden Sie sich bei einer Fehlfunktion sofort an Ihren Anbieter.
- Keine unbefugten Veränderungen am Produkt vornehmen.
- Stellen Sie sich niemals auf den Badewannenlifter, um in die Badewanne ein- oder aus ihr auszusteigen; verwenden Sie ihn auch nicht zum Hoch- oder Hinabsteigen, als Hebeplattform oder für einen ähnlichen Zweck.

**WARNUNG!**

- Das Produkt vor der ersten Verwendung gründlich reinigen.
- Das Produkt vor jeder Verwendung auf Schäden überprüfen und sicherstellen, dass es ordnungsgemäß zusammengebaut ist.



VORSICHT!

Verletzungsgefahr

Teile, die nicht in Original-Qualität vorliegen, oder falsche Teile können die Funktion und Sicherheit des Produkts beeinträchtigen.

- Für das verwendete Produkt ausschließlich Originalteile verwenden.
- Aufgrund regionaler Unterschiede ziehen Sie bei der Suche nach erhältlichen Optionen den Invacare-Katalog oder die Invacare-Website für Ihr Land zu Rate, oder wenden Sie sich an Ihren Invacare-Händler vor Ort. Die entsprechenden Adressen finden Sie am Ende dieses Dokuments.

2.2 Sicherheitshinweise zur elektromagnetischen Verträglichkeit



WARNUNG!

Gefahr von Fehlfunktionen aufgrund elektromagnetischer Störungen

Zwischen diesem Produkt und anderen elektrischen Geräten kann es zum Auftreten elektromagnetischer Störungen kommen, die die elektrischen Einstellfunktionen dieses Produkts beeinträchtigen können. Um derartige elektromagnetische Störungen zu verhindern, zu reduzieren oder zu beseitigen, sollten Sie die folgenden Richtlinien beachten:

- Verwenden Sie nur Originalkabel, -zubehör und -ersatzteile, um die elektromagnetischen Emissionen nicht zu erhöhen bzw. die

elektromagnetische Störfestigkeit dieses Produkts nicht zu verringern.

- Verwenden Sie tragbare HF-Kommunikationsgeräte nur in einem Abstand von mindestens 30 cm zu beliebigen Teilen dieses Produkts (einschließlich Kabeln).
- Verwenden Sie dieses Produkt nicht in der Nähe aktiver chirurgischer Hochfrequenzgeräte und nicht in der Nähe eines vor HF-Strahlung abgeschirmten Raums eines Kernspintomographiesystems (derartige Systeme verursachen starke elektromagnetische Störungen).
- Falls Störungen auftreten, vergrößern Sie den Abstand zwischen diesem Produkt und dem anderen Gerät, oder schalten Sie es aus.



WARNUNG!

Gefahr von Fehlfunktionen

Elektromagnetische Störungen können den Betrieb beeinträchtigen.

- Verwenden Sie dieses Produkt nicht unmittelbar neben oder mit anderen elektrischen Geräten gestapelt. Sofern eine solche Verwendung erforderlich ist, müssen das Produkt und andere Geräte sorgfältig beobachtet werden, um den einwandfreien Betrieb sicherzustellen.

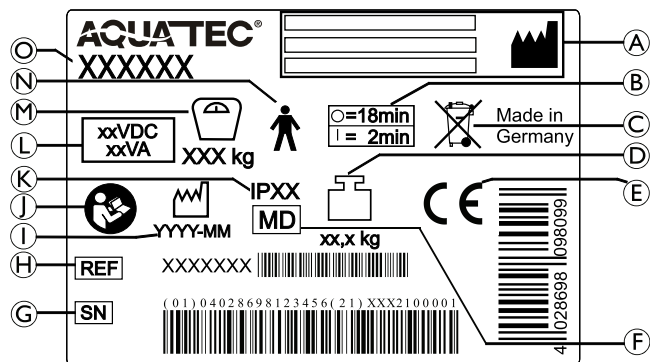


Die Nutzung von Produkten wie beispielsweise Herzschrittmachern ist nach unserem Kenntnisstand mit keinerlei Gefahren verbunden.

2.3 Schilder und Symbole auf dem Produkt

Typenschild

Dem Typenschild können Sie wichtige Informationen entnehmen:



(A)	Hersteller und Herstelleradresse
(B)	Benutzungsintervall (Dauerbetrieb des Motors nicht zulässig): max. 2 Minuten Dauerbetrieb gefolgt von 18 Minuten Pause
(C)	Hinweis (Entsorgung)
(D)	Produktgewicht
(E)	Konformitätskennzeichen
(F)	Medizinprodukt
(G)	Seriennummer

(H)	Referenznummer
(I)	Produktionsdatum
(J)	Hinweis (Begleitpapiere beachten)
(K)	Schutzart
(L)	Nennspannung/Nennaufnahmeleistung, siehe 10 Technische Daten, Seite 58
(M)	max. Nutzergewicht
(N)	Anwendungsteil des Typs B
(O)	Gerätebezeichnung



Das Typenschild ist auf der Rückseite der Rückenlehne angebracht.

3 Produktübersicht

3.1 Produktbeschreibung

Aquatec ORCA, ORCA F und ORCA XL sind akkugespeiste Badewannenlifter, die als Hilfsmittel für das Einsteigen in eine Badewanne und Aussteigen aus einer Badewanne dienen. Der Badewannenlifter besteht aus einer Sitzplatte (mit integrierten Seitenklappen) mit rutschfester Oberfläche.

ORCA und ORCA XL verfügen über eine starre Rückenlehne, die mithilfe einer Fernbedienung abgesenkt werden kann. ORCA F besitzt eine feststehende Rückenlehne. Für alle Modelle sind optionale Sitz- und Rückenlehnenbezüge verfügbar.

Alle Modelle sind mit einem Handbedienteil für die Steuerung der Aufwärts- und Abwärtsbewegung des Sitzes ausgestattet.

Die Rückenlehne kann zur Steigerung des Grads an Unterstützung und der Sicherheit mit Seitenklappen ausgestattet werden.

3.2 Anwendungszweck

Aquatec ORCA, ORCA F und ORCA XL sind zur Verwendung als Hilfsmittel für das sichere und problemlose Einsteigen in eine Badewanne und Aussteigen aus einer Badewanne vorgesehen.

Vorgesehener Benutzerkreis

Zum Benutzerkreis zählen Personen aller Art mit Mobilitätseinschränkungen (z. B. Beine und/oder Hüften).

Bei Verwendung ohne Begleitperson muss der Benutzer in der Lage sein, das Gleichgewicht zu halten.

Indikationen

- Mobilitätseinschränkungen (z. B. Beine und/oder Hüften) oder
- Gleichgewichtsprobleme beim Aufstehen oder Gehen aufgrund vorübergehender oder dauerhafter Behinderungen.

Gegenanzeigen

Bei bestimmungsgemäßem Gebrauch dieses Produkts sind keine Gegenanzeigen bekannt.

Das maximal zulässige Benutzergewicht beträgt:

- 140 kg (ORCA/ORCA F)
- 170 kg (ORCA XL)

3.3 Komponenten

Die folgenden Komponenten sind im Lieferumfang enthalten:

Handbedienteil und Ladegerät

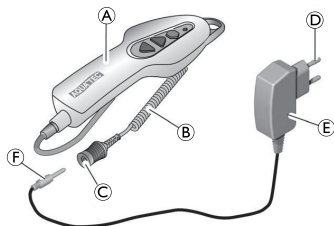


Fig. 3-1

- Ⓐ Handbedienteil mit Akku
- Ⓑ Spiralkabel
- Ⓒ Klinkenbuchse
- Ⓓ Netzstecker
- Ⓔ Ladegerät
- Ⓕ Klinkenstecker

Sitz

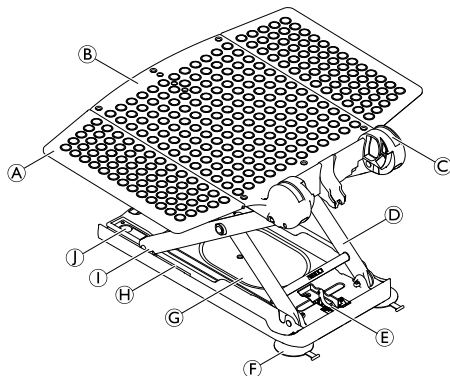


Fig. 3-2

- Ⓐ Seitenklappe
- Ⓑ Sitzplatte
- Ⓒ Scharnier für Rückenlehne
- Ⓓ Hubschere
- Ⓔ Spindelfußhalterung
- Ⓕ Hintere Saugnäpfe (mit Gewinde)
- Ⓖ Grundplatte
- Ⓗ Führung für den Gleitschuh
- Ⓘ Gleitschuh
- Ⓙ Vordere Saugnäpfe (eine Lasche mit Kopf)

Rückenlehne

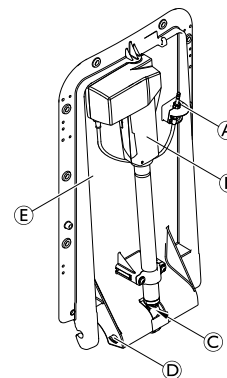


Fig. 3-3

- Ⓐ Klinkenstecker
- Ⓑ Antrieb
- Ⓒ Spindelfuß
- Ⓓ Verriegelungsstift
- Ⓔ Rückenlehnenplatte

4 Inbetriebnahme

4.1 Sicherheitsinformationen



Gefahr von Sachschäden

- Überprüfen Sie alle Teile auf Transportschäden, und führen Sie vor jeder Verwendung eine Überprüfung durch. Wenden Sie sich im Bedarfsfall an Ihren Anbieter.
- Achten Sie bei der Montage darauf, dass die Teile korrekt aufeinander ausgerichtet sind.
- Es wird empfohlen, die Bezüge vor dem ersten Gebrauch zu waschen (siehe 7.2 *Reinigung und Desinfektion*, Seite 50).

4.2 Aufstellen des Badewannenlifters



WARNUNG! Rutschgefahr

- Wenn die Saugnäpfe keinen einwandfreien Halt haben, kann der Badewannenlifter verrutschen.
- Reinigen Sie die Badewanne und die Saugnäpfe mit einem feuchten Tuch, bevor Sie den Badewannenlifter aufstellen.
 - Verändern Sie die Position des Badewannenlifters in der Badewanne nicht mehr, wenn dieser erst einmal aufgestellt ist.



WARNUNG!

Gefahr von Verletzungen und Sachschäden!

- Stellen Sie den Badewannenlifter nur in Badewannen auf, die den Angaben der folgenden Tabelle entsprechen.
- Verwenden Sie die Sonder-Seitenklappen (als Zubehör erhältlich), wenn die Badewanne einen seitlichen Überlauf besitzt.

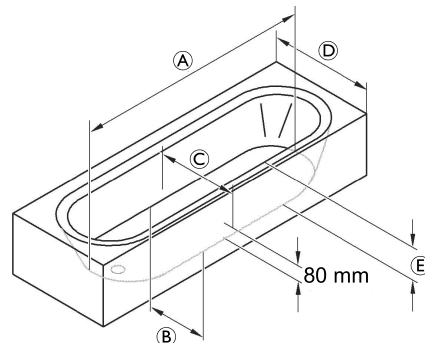


Fig. 4-1

(A)	Wannenlänge (Wannenboden)	≥ 800 mm
(B)	Wannenbreite (Wannenboden, innen)	≥ 280 mm

©	Wannenbreite in 80 mm Höhe (innen)	≥ 430 mm
©	Wannenbreite (außen)	580 mm – 690 mm (mit Sonder- Seitenklappen) 700 mm – 740 mm (mit Standard-Seitenklappen) 750 mm – 1000 mm (mit Sonder- Seitenklappen)
©	Wannenhöhe (innen)	≤ 420 mm (mit Höhenadapter max. + 60 mm)

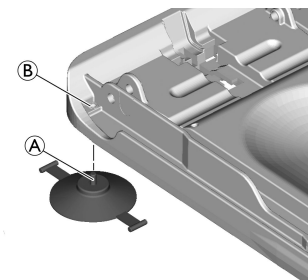


Fig. 4-2

Setzen Sie den hinteren Saugnapf mit dem Gewindebolzen ① auf die Hülsenmutter ② auf, und schrauben Sie ihn soweit ein, dass seine Ausrichtung der in der Grafik entspricht.

! Gefahr von Sachschäden

- Stellen Sie sicher, dass die Saugnäpfe richtig angebracht sind.
- Stellen Sie sicher, dass der Akku im Handbedienteil aufgeladen ist.
- Beachten Sie beim Anheben von Komponenten des Badewannenlifters, dass diese z. T. ein beachtliches Gewicht aufweisen (siehe *10.1 Abmessungen und Gewicht, Seite 58*).
- Wenn an der Innenseite der Badewanne ein Handlauf montiert ist, sind die Seitenklappenabweiser zu verwenden (als Zubehör erhältlich).
- Klappen Sie die Seitenklappen nach außen, bevor Sie die Rückenlehne hochklappen.

1.

2.

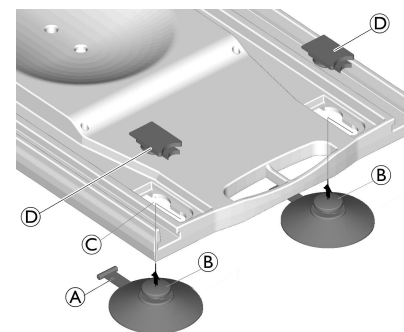


Fig. 4-3

Führen Sie die Lasche ① durch die Schlüsselbohrung ③, und legen Sie sie auf dem entsprechenden Vorsprung ab.
Führen Sie den Kopf ② des Saugnapfs durch die Bohrung

©, und ziehen Sie den Saugnapf nach vorne.
Fixieren Sie den Saugnapf mit dem roten Schieber ©.

3.

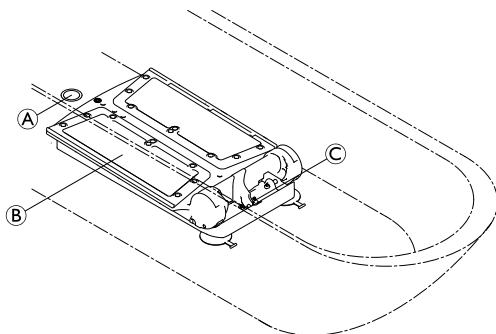


Fig. 4-4

Stellen Sie den Sitz © auf den Boden der leeren Badewanne. Vergewissern Sie sich, dass die Spindelfußhalterung © zum Wannende (dem Ablauf © entgegengesetzt) gerichtet ist.

4.

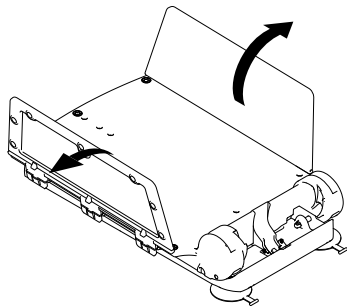


Fig. 4-5

Klappen Sie die Seitenklappen des Sitzes nach außen.

5.

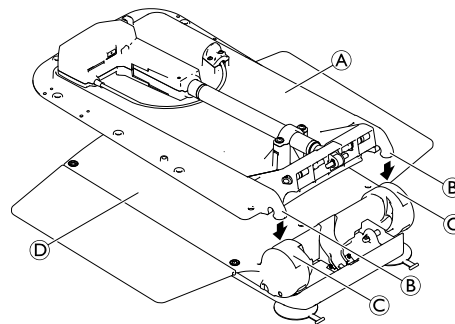


Fig. 4-6

Setzen Sie die Rückenlehne © (ohne Handbedienteil) so auf den Sitz, dass die Haken © der Rückenlehne in die Scharniere © der Sitzplatte © greifen.

6.



Gefahr von Sachschäden

Beschädigung des Produkts durch Herausrutschen des Spindelfußes.

- Vergewissern Sie sich, dass die Spindel vor dem Hochklappen der Rückenlehne vollständig zurückgezogen ist und dass der Spindelfuß anliegt und nicht verdreht ist.
- Nach dem Hochklappen der Rückenlehne ist sicherzustellen, dass sich der Spindelfuß in der Spindelfußhalterung befindet.

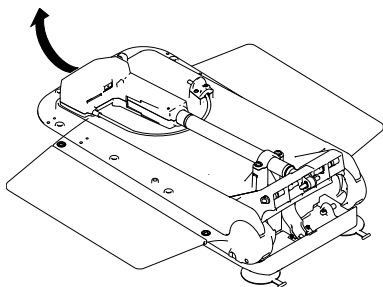


Fig. 4-7

Halten Sie die Rückenlehne in der Mitte des Kopfteils, und klappen Sie die Rückenlehne vorsichtig in die Endstellung.

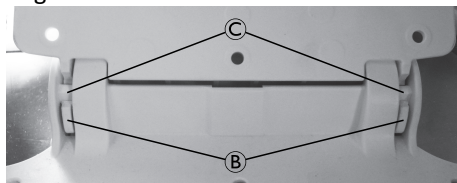


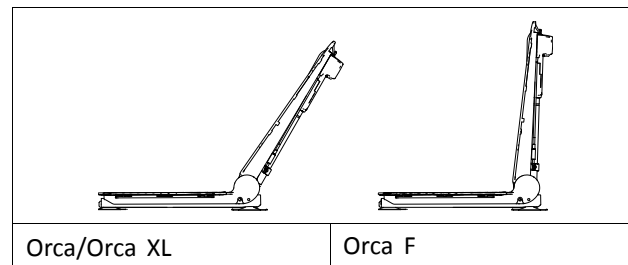
Fig. 4-8



Gefahr von Sachschäden

Beschädigung des Produkts durch falsche Montage der Rückenlehne.

- Achten Sie darauf, dass die beiden Haken **B** der Rückenlehne in die Scharniere **C** der Sitzplatte greifen.
- Vergewissern Sie sich, dass die Rückenlehne ohne Kraftaufwand und spürbaren Widerstand in die Endlage hochgeklappt wird. Die nachstehende Abbildung zeigt die Endlage.



7.

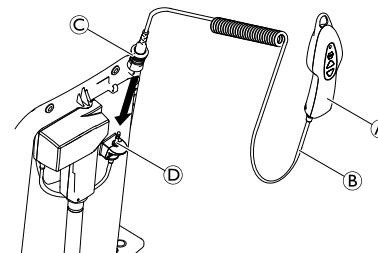


Fig. 4-9

Um das Handbedienteil (A) mit dem Badewannenlifter zu verbinden, stecken Sie die Klinkenbuchse mit Entriegelungshülse (C) auf den Klinkenstecker (D) auf, bis der Verriegelungsmechanismus spürbar einrastet.

! Gefahr von Sachschäden

- Achten Sie darauf, dass die Rückenlehne den Wannenrand nicht berührt.
- Platzieren Sie den Badewannenlifter ggf. weiter vorne in der Badewanne. Um den Badewannenlifter weiter vorne in der Badewanne zu platzieren, senken Sie den Badewannenlifter ab, lösen Sie die Saugnapfe, und repositionieren Sie dann den Badewannenlifter.

4.3 Laden des Akkus

Während der Akku geladen wird, kann der Badewannenlifter nicht verwendet werden.



WARNUNG! Stromschlaggefahr

- Laden Sie den Akku nur in trockenen Räumen bei Zimmertemperatur (15 °C bis 25 °C), niemals jedoch im Badezimmer.



Gefahr von Sachschäden

- Verwenden Sie für das Aufladen des Akkus im Handbedienteil nur das mitgelieferte Ladegerät.
- Schließen Sie das Ladegerät nur dann an das Stromnetz an, wenn das Handbedienteil an das Ladegerät angeschlossen ist.
- Achten Sie darauf, dass die Spannungsangaben auf dem Ladegerät mit denen des Stromnetzes übereinstimmen.

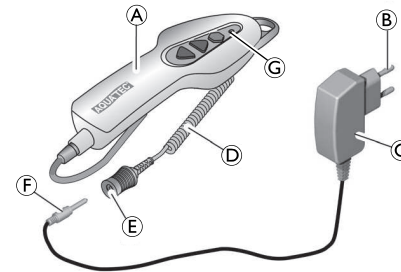


Fig. 4-10

1. Stecken Sie den Klinkenstecker (F) des Ladegeräts (C) in die Klinkenbuchse (E) des Spiralkabels (D) des Handbedienteils (A), bis er einrastet.
2. Stecken Sie den Netzstecker (B) des Ladegeräts in eine Steckdose.



Die rote Kontrollleuchte (G) am Handbedienteil erlischt, sobald der Akku vollständig geladen ist. Ein Überladen des Akkus ist nicht möglich.

3. Ziehen Sie das Ladegerät aus der Steckdose.
4. Ziehen Sie den Klinkenstecker des Ladegeräts aus der Klinkenbuchse des Handbedienteils.

5 Verwenden

5.1 Sicherheitsinformationen



VORSICHT!

Verletzungsgefahr oder Gefahr von Sachschäden

In ein beschädigtes Handbedienteil kann Feuchtigkeit eindringen, was einen Kurzschluss mit Brandentwicklung verursachen könnte.

- Führen Sie vor jeder Verwendung des Produkts eine Sichtkontrolle auf äußere Schäden durch.
- Verwenden Sie das Handbedienteil nicht, wenn sein Gehäuse beschädigt ist oder Risse aufweist.



VORSICHT!

Einklemmgefahr

- Greifen Sie nicht mit den Fingern in die Führung zwischen der Sitzplatte und der Rückenlehne.
- Greifen Sie nicht unter die Sitzplatte oder in die Hubschere.



Gefahr von Sachschäden

Eine Überlastung des Badewannenlifters kann die Vorrichtung beschädigen oder das Anheben verhindern.

- Überlasten Sie den Badewannenlifter nicht. Angaben zur Tragfähigkeit des Badewannenlifters finden Sie auf dem Typenschild oder unter *10 Technische Daten, Seite 58*.



Laden Sie den Akku regelmäßig auf (siehe *3.4 Laden des Akkus unter 4 Inbetriebnahme, Seite 38*).



Weitergehende Informationen zu den Betriebsbedingungen finden Sie unter *10.4 Umweltparameter, Seite 59*.

5.2 Steuerung des Badewannenlifters

Der Badewannenlifter kann in die folgenden Richtungen bewegt werden:



Fig. 5-1

Der Badewannenlifter wird – durch den Anwender oder einen Helfer – über das Handbedienteil gesteuert.



Bei voll aufgeladenem Akku können die Badewannenlifter ORCA und ORCA F fünf Badegänge mit einer Last von 140 kg durchführen. Der Badewannenlifter ORCA XL kann vier Badegänge mit einer Last von 170 kg durchführen.

- Ⓐ Not-Halt-Taste
- Ⓑ Aufwärts-Taste
- Ⓒ Handbedienteil
- Ⓓ Abwärts-Taste
- Ⓔ Kontrollleuchte

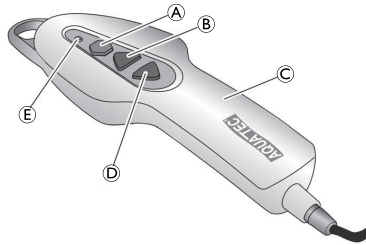


Fig. 5-2

! Gefahr von Sachschäden

– Das Handbedienteil darf nur verwendet werden, wenn die Rückenlehne richtig montiert ist und sich in aufrechter Position befindet.

i Wenn der Akku im Handbedienteil **Ⓒ** keine ausreichende Ladung aufweist, leuchtet beim Drücken der Abwärts-Taste **Ⓓ** die Kontrollleuchte **Ⓔ** auf. In diesem Fall ist die Absenkfunktion des Badewannenlifters deaktiviert. Sie können den Badewannenlifter jedoch nach wie vor hochfahren.

1. Laden Sie den Akku sofort nach dem Hochfahren des Badewannenlifters auf.

Hochfahren des Badewannenlifters

i Wenn die Rückenlehne abgesenkt ist, bewegt sie sich zuerst in die aufrechte Stellung (nicht beim Modell ORCA F).

1. Drücken Sie die Aufwärts-Taste **Ⓑ** am Handbedienteil, und halten Sie sie gedrückt. Die Rückenlehne bewegt sich in die aufrechte Stellung, oder der Sitz fährt hoch.
2. Geben Sie die Aufwärts-Taste am Handbedienteil frei. Der Badewannenlifter hält in der aktuellen Stellung an.

Absenken des Badewannenlifters

i Ist der Sitz bereits heruntergefahren, senkt sich die Rückenlehne nach hinten ab (nicht beim Modell ORCA F).

1. Drücken Sie die Abwärts-Taste **Ⓓ** am Handbedienteil, und halten Sie sie gedrückt. Der Sitz bewegt sich nach unten, oder die Rückenlehne neigt sich nach hinten.
2. Geben Sie die Abwärts-Taste am Handbedienteil frei. Der Badewannenlifter hält in der aktuellen Stellung an.


Not-Halt-Taste

! Gefahr von Sachschäden

Drücken Sie die Not-Halt-Taste **Ⓐ** nur, wenn die Vorrichtung beim Freigeben der Aufwärts- oder Abwärts-Taste nicht sofort stoppt (beispielsweise weil sich die Taste verklemmt hat). Der Badewannenlifter hält sofort an, und die Kontrollleuchte im Handbedienteil leuchtet auf.

Wenn die rote Kontrollleuchte nach dem Freigeben der Not-Halt-Taste erlischt, ist die Störung behoben (beispielsweise hat sich eine verklemmte Taste wieder gelöst). Die Vorrichtung ist wieder einsatzbereit.

Wenn die rote Kontrollleuchte nach dem Freigeben der Not-Halt-Taste nicht erlischt, besteht die Störung weiterhin. Die Vorrichtung ist nicht einsatzbereit und muss repariert werden (beispielsweise bei einem Schaden an der Elektronik).

 Wenden Sie sich im Bedarfsfall an Ihren Anbieter.

5.3 Baden



WARNUNG! **Rutschgefahr**

Wenn die Saugnäpfe keinen einwandfreien Halt haben, kann der Badewannenlifter verrutschen.

- Vergewissern Sie sich vor der Verwendung des Badewannenlifters, dass er sicher montiert ist und nicht umkippen kann.
- Stellen Sie sicher, dass der Badewannenlifter in einer Badewanne mit den korrekten Abmessungen eingerichtet ist (siehe 4.2 *Aufstellen des Badewannenlifters, Seite 38*).



WARNUNG!

Verletzungsgefahr

- Wenn Sie aufgrund Ihres Zustands nicht alleine baden können, dürfen Sie die Vorrichtung nur unter Aufsicht benutzen.
- Wenn Sie die Vorrichtung ohne Aufsicht benutzen, müssen Sie sicherstellen, dass Sie im Falle eines unvorhergesehenen Ereignisses (z. B. einer Fehlfunktion) ein Alarmsystem oder ein Telefon in Reichweite haben.
- Überprüfen Sie vor Verwendung die Temperatur des Badewassers.



Gefahr von Sachschäden

- Badeöle oder -salze können das Leistungsverhalten der Hubschere beeinträchtigen.
- Bei Verwendung solcher Badezusätze darf die jeweils empfohlene Dosierung nicht überschritten werden.



Fahren Sie den unbelasteten Badewannenlifter einmal herauf und dann wieder herab (Funktionstest).

1. Drücken Sie die Aufwärts-Taste und halten Sie diese gedrückt, bis der Sitz auf Höhe der Wannenkante ist.
2. Achten Sie darauf, dass die Seitenklappen auf gleicher Höhe mit dem Sitz sind und flach auf dem Wannenrand aufliegen (Ausgangsposition).
3. Füllen Sie die Wanne mit Wasser.
4. Setzen Sie sich auf die Ihnen nächstgelegene Seitenklappe (wie auf einen Stuhl).

5. Rutschen Sie nach hinten, bis Sie auf der Mitte des Sitzes sitzen.
6. Schwenken Sie sich in die Badeposition, indem Sie die Beine nacheinander über den Wannenrand heben.
7. Sobald Sie richtig sitzen, drücken Sie die Abwärts-Taste und halten diese gedrückt, um den Sitz in die Badewanne abzusenken.



Sobald der Sitz die unterste Position erreicht hat, kann durch weiteres Gedrückthalten der Abwärts-Taste der Rückenwinkel verstellt werden. Auf diese Weise wird eine komfortablere Badeposition erreicht, die Ihnen ein tieferes Eintauchen in das Badewasser ermöglicht (nicht beim Modell ORCA F).

8. Halten Sie die Abwärts-Taste gedrückt, bis die Rückenlehne die gewünschte Stellung eingenommen hat.



Zum Verlassen der Badewanne führen Sie diese Schritte in umgekehrter Reihenfolge aus.

9. Um die Rückenlehne aufrecht zu stellen oder den Badewannenlifter hochzufahren, drücken Sie die Aufwärts-Taste und halten diese gedrückt, bis sich der Sitz auf Höhe des Wannenrands befindet.



Gefahr von Sachschäden

- – Trennen Sie das Handbedienteil von der Vorrichtung, wenn der Badewannenlifter nicht benutzt wird (siehe 6.2 *Entfernen des Badewannenlifters*, Seite 48, Schritt 3).

6 Transport

6.1 Sicherheitsinformationen



Gefahr von Sachschäden

- Die Rückenlehne ist in eingeklapptem Zustand nicht am Sitz arretiert und kann sich von diesem lösen.

1. Trennen Sie das Handbedienteil vom Badewannenlift.
2. Zerlegen Sie den Badewannenlifter für den Transport in zwei Teile (Grundrahmen mit Sitzplatte und Rückenlehne) (siehe 6.2 Entfernen des Badewannenlifters, Seite 48).



Gefahr von Sachschäden

- Nehmen Sie die Saugnäpfe für den Transport des Badewannenlifters nicht ab.
- Beachten Sie die in Abschnitt 10.4 *Umweltparameter*, Seite 59 aufgeführten Transport- und Lagerbedingungen.

6.2 Entfernen des Badewannenlifters

1. Lassen Sie das Wasser aus der Badewanne ab.
2. Fahren Sie den Badewannenlifter durch Drücken der Abwärts-Taste nach unten, bis die Rückenlehne in der abgesenkten Endlage anhält (siehe 5.2 *Steuerung des Badewannenlifters*, Seite 44).
3. Entriegeln Sie die Klinkenbuchse am Spiralkabel des Handbedienteils, indem Sie die Entriegelungshülse hochschieben und vom Klinkenstecker abziehen.

4.

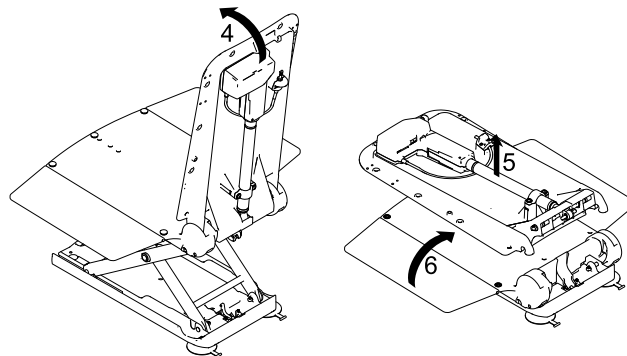


Fig. 6-1

Halten Sie die Rückenlehne mit einer Hand am Kopfende fest, und klappen Sie die Rückenlehne langsam nach vorne in die Endlage.



Gefahr von Sachschäden

- Klappen Sie die Rückenlehne nicht herunter, wenn sich Wasser in der Badewanne befindet.
- Stellen Sie vor dem Umklappen der Rückenlehne sicher, dass sie sich vollständig in der abgesenkten Position befindet.
- Achten Sie beim Herunterklappen der Rückenlehne darauf, dass das Spiralkabel des Handbedienteils nicht eingeklemmt wird.

5. Ziehen Sie die Rückenlehne nach oben vom Sitz ab und aus der Badewanne heraus.

6. Klappen Sie die Seitenklappen des Sitzes einwärts.
- 7.

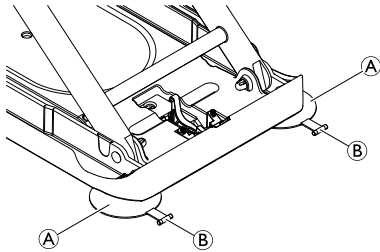




Fig. 6-2


Lösen Sie die hinteren Saugnäpfe ①, indem Sie an den vorstehenden Laschen ② ziehen.

 Lösen Sie die beiden hinteren Saugnäpfe gleichzeitig.

8. Heben Sie die Rückseite des Sitzes leicht an. Dadurch werden die vorderen Saugnäpfe gelöst.

 Wenn Höhenadapter (optional) montiert wurden, müssen Sie zum Lösen der vorderen Saugnäpfe auch deren Laschen hochziehen.

9. Nehmen Sie den Grundrahmen samt Sitzplatte aus der Badewanne heraus.

 Achten Sie darauf, dass alle Saugnäpfe gelöst sind, bevor Sie den Sitz aus der Badewanne herausnehmen.

10. Bewahren Sie alle Komponenten des Badewannenlifters sorgfältig auf.

7 Instandhaltung

7.1 Wartung und Inspektion

Für dieses Produkt ist keine Instandhaltung erforderlich, sofern die aufgeführten Reinigungs- und Sicherheitshinweise beachtet werden.



Gefahr von Sachschäden

Das Handbedienteil darf nur vom Hersteller des Badewannenlifters geöffnet werden.

1. Überprüfen Sie das Produkt regelmäßig auf Schäden, und vergewissern Sie sich, dass es ordnungsgemäß zusammengebaut ist.
2. Wenn Sie eine Beschädigung feststellen und/oder eine Reparatur erforderlich ist, wenden Sie sich umgehend an Ihren Anbieter.
3. Der Badewannenlifter muss vor jedem Wiedereinsatz von einem autorisierten Anbieter überprüft werden. Es wird empfohlen, den Badewannenlifter spätestens nach 24 Monaten (gemäß DIN EN ISO 10535) zu überprüfen.
4. Wenn der Badewannenlifter längere Zeit nicht verwendet worden ist, laden Sie den Akku vollständig auf, und fahren Sie den Badewannenlifter dreimal ohne Last herauf und herunter. Wiederholen Sie diesen Vorgang alle 3 Monate. Dies wirkt sich förderlich auf die Nutzungsdauer des Akkus aus.

7.2 Reinigung und Desinfektion

7.2.1 Allgemeine Sicherheitsinformationen



VORSICHT!

Kontaminationsgefahr

- Vorkehrungen für sich selbst treffen und geeignete Schutzausrüstung verwenden.



VORSICHT!

Gefahr von Stromschlag und Beschädigung des Produkts

- Das Gerät ggf. ausschalten und vom Netz trennen.
- Bei der Reinigung von elektronischen Bauteilen ist zu beachten, welche Schutzart (Schutz gegen eindringendes Wasser) diese besitzen.
- Sicherstellen, dass kein Wasser auf den Netzstecker oder die Steckdose gelangt.
- Die Steckdose nicht mit nassen Händen berühren.

**WICHTIG!**

Falsche Reinigungsmethoden oder -flüssigkeiten können zu einer Beschädigung des Produkts führen.

- Alle verwendeten Reinigungs- und Desinfektionsmittel müssen wirksam und miteinander verträglich sein und das Material schützen, das mit ihnen gereinigt wird.
- Keinesfalls korrodierende Flüssigkeiten (Laugen, Säuren usw.) oder scheuernde Reinigungsmittel verwenden. Wenn in den Reinigungsanleitungen nichts anderes angegeben ist, empfehlen wir ein handelsübliches Haushaltsreinigungsmittel (z. B. Geschirrspülmittel).
- Niemals Lösungsmittel (Nitroverdünnung, Aceton usw.) verwenden, die die Struktur des Kunststoffes verändern oder die angebrachten Etiketten angreifen.
- Immer sicherstellen, dass das Produkt absolut trocken ist, bevor es wieder in Gebrauch genommen wird.



Zur Reinigung und Desinfektion in Langzeitpflegeumgebungen oder klinischen Umgebungen die hausinternen Verfahren beachten.

7.2.2 Reinigungsintervalle**WICHTIG!**

Regelmäßige Reinigung und Desinfektion sorgen für einen reibungslosen Betrieb, verlängern die Nutzungsdauer und verhindern Verunreinigungen. Reinigen und desinfizieren Sie das Produkt

- regelmäßig, sofern es verwendet wird
- vor und nach jeder Wartung
- nach Kontakt mit Körperflüssigkeiten
- vor Benutzung durch einen neuen Patienten

7.2.3 Reinigungsanweisungen

Das Produkt kann mithilfe von handelsüblichen Mitteln gereinigt werden.

Reinigung des Sitzes und der Rückenlehne**VORSICHT!****Einklemmgefahr**

– Gehen Sie bei der Reinigung im Bereich der Hebescheren besonders vorsichtig vor, da sie sich bewegen und zu Verletzungen führen können.

**Gefahr von Sachschäden**

– Verwenden Sie für die Reinigung der Rückenlehne niemals einen Hochdruckreiniger.

1. Reinigen Sie das Produkt mit einem Tuch oder einer Bürste.
2. Spülen Sie das Produkt mit warmem Wasser ab.

3. Trocknen Sie das Produkt mit einem Tuch.
4. Schmieren Sie die Führung für den Gleitschuh (siehe Markierung ⓘ in Abbildung 3,1 in Kapitel 3.3 *Komponenten, Seite 36*) leicht mit Vaseline.

Reinigen der Bezüge (optional erhältlich)

ⓘ Es wird empfohlen, die Bezüge vor dem ersten Gebrauch zu waschen. Aus Hygienegründen wird empfohlen, die Bezüge regelmäßig zu reinigen und jährlich auszutauschen.

1. Knöpfen Sie den Bezug am Sitz und den Bezug an der Rückenlehne auf.
2. Waschen Sie die Bezüge mit einem milden Waschmittel bei max. 60 °C in der Waschmaschine.

! Gefahr von Sachschäden

- Waschen bei höheren Temperaturen kann dazu führen, dass die Bezüge beschädigt werden oder einlaufen.
- Trocknen Sie die Bezüge nicht im Wäschetrockner.

Reinigen des Ladegeräts und des Handbedienteils



! WARNUNG!

Stromschlaggefahr

- Ziehen Sie stets den Stecker aus der Steckdose, bevor Sie das Ladegerät reinigen.
- Stecken Sie niemals Gegenstände aus leitendem Material (z. B. Stricknadeln, Metallstifte) in die Klinkenbuchse des Handbedienteils.
- Verwenden Sie niemals ein nasses oder feuchtes Tuch für die Reinigung des Ladegeräts.

1. Trocknen Sie das Ladegerät mit einem trockenen Tuch.
2. Reinigen Sie das Handbedienteil mit einem feuchten Tuch.
3. Trocknen Sie das Handbedienteil mit einem trockenen Tuch ab.

7.2.4 Desinfektionsanweisungen



Informationen zu empfohlenen Desinfektionsmitteln und -verfahren finden Sie unter <https://vah-online.de/de/for-users>.

Im häuslichen Bereich

Methode: Befolgen Sie die Anwendungshinweise des verwendeten Desinfektionsmittels und desinfizieren Sie alle zugänglichen Flächen.

Desinfektionsmittel: Haushaltsübliches Desinfektionsmittel

Trocknen: Das Produkt an der Luft trocknen lassen.

In der Klinik und Langzeitpflege

Befolgen Sie die einrichtungsinternen Bestimmungen zum Desinfektionsverfahren und verwenden Sie nur die darin aufgeführten Desinfektionsmittel.

8 Nach dem Gebrauch

8.1 Lagerung



Gefahr von Sachschäden

- Das Produkt nicht in der Nähe von Wärmequellen lagern.
- Akkus von offenen Flammen fernhalten.
- Das Produkt keiner direkten Sonneneinstrahlung aussetzen.
- Beachten Sie die in Abschnitt 10.4 *Umweltparameter*, Seite 59 aufgeführten Transport- und Lagerbedingungen.

8.2 Wiederaufbereitung

Dieses Produkt ist für die wiederholte Verwendung geeignet. Um das Produkt für einen neuen Benutzer wiederaufzubereiten, sind die folgenden Maßnahmen zu ergreifen:

- Prüfung
- Reinigung und Desinfektion

Ausführliche Informationen finden Sie im Kapitel 7 *Instandhaltung*, Seite 50 sowie im Servicehandbuch zu diesem Produkt.

Stellen Sie sicher, dass die Gebrauchsanweisung zusammen mit dem Produkt übergeben wird.

Das Produkt darf nicht wiederverwendet werden, wenn es beschädigt ist oder Funktionsstörungen vorliegen.

8.3 Entsorgung



WARNUNG!

Umweltgefährdung

Das Produkt enthält Akkus.

Das Produkt enthält Substanzen, die die Umwelt schädigen können, wenn sie nicht in Übereinstimmung mit der nationalen Gesetzgebung entsorgt werden.

- Entsorgen Sie die Akkus NICHT über den normalen Haushaltsmüll.
- Akkus NICHT ins Feuer werfen.
- Akkus MÜSSEN zu einer entsprechenden Annahmestelle gebracht werden. Sie sind von Gesetzes wegen zur Rückgabe verpflichtet. Die Rückgabe von Akkus ist kostenlos.
- Akkus vor der Entsorgung entladen.
- Kleben Sie die Anschlussklemmen von Lithium-Akkus vor der Entsorgung ab.
- Informationen zum Akku-Typ finden Sie auf dem Akku-Etikett oder im Kapitel 10 *Technische Daten*, Seite 58.

Handeln Sie umweltbewusst, und lassen Sie dieses Produkt nach dem Ende seiner Lebensdauer über eine lokale Müllverwertungsanlage recyceln.

Demontieren Sie das Produkt und seine Bauteile, damit die verschiedenen Materialien einzeln getrennt und recycelt werden können.

Die Entsorgung und das Recycling von gebrauchten Produkten und Verpackungen müssen in Übereinstimmung mit den einschlägigen Gesetzen und Vorschriften des

jeweiligen Landes zur Abfallentsorgung erfolgen. Wenden Sie sich an Ihr Abfallentsorgungsunternehmen, wenn Sie weitere Informationen wünschen.

9 Problembehandlung

9.1 Erkennen und Beheben von Mängeln



In der folgenden Tabelle finden Sie Informationen zu Mängeln und ihren möglichen Ursachen. Sollte sich der Mangel mit der genannten Abhilfemaßnahme nicht beseitigen lassen, wenden Sie sich bitte direkt an Ihren Anbieter.

Mangel	Mögliche Ursache	Abhilfemaßnahme
Kein Motorgeräusch hörbar / Badewannenlifter bewegt sich nicht.	Die Klinkenkupplung des Handbedienteils ist nicht richtig am Klinkenstecker des Badewannenlifters angeschlossen.	Stecken Sie die Klinkenkupplung auf den Klinkenstecker → 4.2 <i>Aufstellen des Badewannenlifters, Seite 38.</i>
	Der Akku ist leer.	Laden Sie den Akku vollständig auf → 4.3 <i>Laden des Akkus, Seite 42.</i>
	Die Kontakte sind verschmutzt.	Reinigen Sie den Stecker an der Rückenlehne → wenden Sie sich ggf. an Ihren Anbieter.
	Das Kabel ist gequetscht/beschädigt.	Tauschen Sie das Handbedienteil aus → wenden Sie sich ggf. an Ihren Anbieter.
Der Badewannenlifter kann hoch-, aber nicht heruntergefahren werden.	Der Unterspannungsschutz ist aktiviert.	Laden Sie den Akku vollständig auf → 4.3 <i>Laden des Akkus, Seite 42.</i>
Der Badewannenlifter stoppt beim Hochfahren.	Übermäßige Last.	Beachten Sie die maximale Belastung → 10.1 <i>Abmessungen und Gewicht, Seite 58.</i>
Der Badewannenlifter haftet nicht sicher an der Badewanne.	Die Saugnäpfe sind verschlissen oder beschädigt.	Tauschen Sie die Saugnäpfe aus → wenden Sie sich ggf. an Ihren Anbieter.

Mangel	Mögliche Ursache	Abhilfemaßnahme
Der Akku wird nicht geladen, und während des Ladevorgangs blinkt die rote Kontrollleuchte.	Die Elektronik ist schadhaft.	Lassen Sie das Handbedienteil durch einen autorisierten Anbieter überprüfen.
	Der Akku ist schadhaft.	Tauschen Sie das Handbedienteil aus.
	Das Ladegerät ist schadhaft.	Lassen Sie das Ladegerät durch einen autorisierten Anbieter überprüfen.
	Der Akku ist zu heiß.	Laden Sie das Handbedienteil nicht in der Nähe von Wärmequellen (z. B. Heizelemente, direkte Sonneneinstrahlung) auf. Der Ladevorgang wird automatisch fortgesetzt, sobald die Temperatur wieder auf zulässige Werte abgefallen ist.

10 Technische Daten

10.1 Abmessungen und Gewicht

Gesamtlänge in der niedrigsten Position	920 mm
Gesamtlänge in der höchsten Position	650 mm
Gesamthöhe in der höchsten Position	1075 mm
Länge Sitz	590 mm
Breite Sitz bei ausgeklappten Standard-Seitenklappen	715 mm
Breite Sitz bei eingeklappten Standard-Seitenklappen	390 mm
Höhe des Sitzes in niedrigster Position	60 mm
Höhe des Sitzes in höchster Position	420 mm
Breite der Rückenlehne	360 mm
Mindestwinkel der Rückenlehne	8°
Breite der Grundplatte	295 mm
Belastung max. (ORCA / ORCA F) Belastung max. (ORCA XL)	140 kg 170 kg
Gesamtgewicht ohne Handbedienteil* (ORCA) (ORCA F) (ORCA XL)	10,8 kg 11,4 kg 11,6 kg

Gewicht Sitz* (ORCA) (ORCA F) (ORCA XL)	6,6 kg 7,2 kg 7,4 kg
Gewicht Rückenlehne* (ORCA / ORCA F / ORCA XL)	4,2 kg
Gewicht Handbedienteil	0,4 kg
Gewicht Ladegerät	0,1 kg

* Für Produkte mit Produktionsdatum vor Mai 2015 gelten folgende Gewichte:

Gesamtgewicht ohne Handbedienteil	12,1 kg
Gewicht Sitz	7,5 kg
Gewicht Rückenlehne	4,6 kg



Das Produktionsdatum ist auf dem Typenschild zu finden.

10.2 Elektronische Daten

Betätigungskraft für die Tasten des Handbedienteils	< 5 N
Betriebsspannung des Handbedienteils ¹⁾	11,1 V DC/10,95 V DC/10,8 V DC
Nenneingangsleistung ¹⁾	44 VA / 43 VA
Nennstrom	4 A

Akku-Typ	Lithium-Ionen-akku
Ladegeräteeingang:	100 V AC – 240 V AC, 50 Hz – 60 Hz
Ladegeräteausgang	24 V DC, 135 mA, 3 VA
Ladezeit ab Warnung vor niedriger Spannung	etwa 4,5 h
Schutzart (Antrieb)	IPX6W ²⁾
Schutzart (Handbedienteil)	IP67 ³⁾
Schutzart (Produkt insgesamt)	IPX6 ⁴⁾
Schallleistungspegel	52 dB(A)

Der Verstellmotor schaltet sich bei Überlastung des Produkts nicht ab. Um Schäden zu vermeiden, darf der Badewannenlifter nicht überlastet werden.

¹⁾ Die Angabe „11,1 V DC/44 VA“ gilt für Handbedienteile mit 11,1 V Betriebsspannung (siehe Angabe an der Unterseite des Handbedienteils).

Die Angabe „10,95 V DC/44 VA“ gilt für Handbedienteile mit 10,95 V Betriebsspannung (siehe Angabe an der Unterseite des Handbedienteils).

Die Angabe „10,8 V DC/43 VA“ gilt für Handbedienteile mit 10,8 V Betriebsspannung (siehe Angabe an der Unterseite des Handbedienteils).

²⁾ Schutz gegen das Eindringen von Wasser bei starkem Strahlwasser, geprüft bei festgelegten Wetterbedingungen.

³⁾ Staubdicht und geschützt gegen das Eindringen von Wasser bei zeitweiligem Untertauchen.

⁴⁾ Schutz gegen das Eindringen von Wasser bei starkem Strahlwasser.

10.3 Materialien

Rückenlehne	PPGF
Sitzplatte	PPGF
Bezüge	PVC



Alle verwendeten Materialien sind korrosionsbeständig und Latex-frei.

10.4 Umweltparameter

Betriebsbedingungen	
Umgebungstemperatur	10 - 40 °C
Relative Luftfeuchtigkeit	15 % - 93 %, nicht kondensierend
Luftdruck	795 - 1060 hPa
Lager- und Transportbedingungen	
Umgebungstemperatur	0 - 40 °C

Relative Luftfeuchtigkeit	30 % - 75 %, nicht kondensierend
Luftdruck	795 - 1060 hPa

Sommaire

Ce manuel DOIT être remis à l'utilisateur du produit. AVANT d'utiliser ce produit, vous DEVEZ lire ce manuel et le conserver pour pouvoir vous y reporter ultérieurement.

1 Généralités	62
1.1 Introduction	62
1.2 Symboles figurant dans ce manuel.	62
1.3 Garantie	63
1.4 Conformité	63
1.4.1 Normes spécifiques au produit.	63
1.5 Durée de vie.	63
1.6 Limitation de responsabilité.	63
2 Sécurité	64
2.1 Informations de sécurité	64
2.2 Informations de sécurité relatives à la compatibilité électromagnétique	65
2.3 Étiquettes et symboles figurant sur le produit	66
3 Présentation du produit.	68
3.1 Description du produit	68
3.2 Utilisation prévue	68
3.3 Composants	68
4 Réglages (Mise en service).	70
4.1 Informations de sécurité	70
4.2 Montage de l'élévateur de bain	70
4.3 Charge de la batterie.	74
5 Utilisation	75
5.1 Informations de sécurité	75
5.2 Contrôle de l'élévateur de bain	75
5.3 Bain	77
6 Transport	79
6.1 Informations de sécurité	79

6.2 Démontage de l'élévateur de bain	79
7 Maintenance	81
7.1 Entretien et inspection	81
7.2 Nettoyage et désinfection	81
7.2.1 Informations de sécurité générales	81
7.2.2 Fréquence de nettoyage.	82
7.2.3 Instructions de nettoyage.	82
7.2.4 Instructions de désinfection	83
8 Après l'utilisation.	84
8.1 Stockage	84
8.2 Reconditionnement	84
8.3 Mise au rebut.	84
9 Dépannage.	86
9.1 Identification et résolution des pannes	86
10 Caractéristiques Techniques	88
10.1 Dimensions et poids	88
10.2 Données électroniques	88
10.3 Matériaux	89
10.4 Paramètres environnementaux.	89

1 Généralités

1.1 Introduction

Le présent manuel d'utilisation contient des informations importantes sur la manipulation du produit. Pour garantir une utilisation en toute sécurité du produit, lisez attentivement le manuel d'utilisation et respectez les instructions de sécurité.

Veuillez noter que certaines sections du présent document peuvent ne pas s'appliquer à votre produit, étant donné que le document concerne tous les modèles disponibles (à la date d'impression). Sauf mention contraire, chaque section de ce document se rapporte à tous les modèles du produit.

Les modèles et les configurations disponibles dans votre pays sont répertoriés dans les documents de vente spécifiques au pays.

Invacare se réserve le droit de modifier les caractéristiques des produits sans préavis.

Avant de lire ce document, assurez-vous de disposer de la version la plus récente. Cette version est disponible au format PDF sur le site Internet d'Invacare.

Si la taille des caractères de la version imprimée du document vous semble trop difficile à lire, vous pouvez télécharger la version PDF sur le site Internet. Vous pourrez alors ajuster la taille des caractères à l'écran pour améliorer votre confort visuel.

Pour obtenir plus d'informations sur le produit, comme les avis de sécurité ou les rappels du produit, contactez votre

représentant Invacare local. Reportez-vous aux adresses indiquées à la fin du présent document.

En cas d'incident grave avec le produit, vous devez en informer le fabricant et l'autorité compétente de votre pays.

1.2 Symboles figurant dans ce manuel

Les symboles et mots d'avertissement utilisés dans le présent manuel s'appliquent aux risques ou aux pratiques dangereuses qui pourraient provoquer des blessures ou des dommages matériels. Reportez-vous aux informations ci-dessous pour la définition des symboles d'avertissement.



AVERTISSEMENT

Indique une situation dangereuse qui, si elle n'est pas évitée, est susceptible de provoquer des blessures graves, voire mortelles.



ATTENTION

Indique une situation dangereuse qui, si elle n'est pas évitée, est susceptible de provoquer des blessures mineures ou légères.



IMPORTANT

Indique une situation dangereuse qui, si elle n'est pas évitée, est susceptible de provoquer des dommages matériels.



Conseils et recommandations

Donne des conseils, recommandations et informations utiles pour une utilisation efficace et sans souci.

1.3 Garantie

Nous fournissons une garantie fabricant pour le produit, conformément à nos conditions générales de vente en vigueur dans les différents pays. Les réclamations au titre de la garantie ne peuvent être adressées qu'au fournisseur auprès duquel l'appareil a été obtenu.

Les housses et les ventouses ne sont pas couvertes par la garantie.

1.4 Conformité

La qualité est un élément fondamental du fonctionnement de notre entreprise, qui travaille conformément à la norme ISO 13485.

Ce produit porte le label CE et est conforme à la Réglementation sur les dispositifs médicaux de classe I 2017/745. La date de lancement de ce produit est indiquée dans la déclaration de conformité CE.

Nous nous efforçons en permanence de réduire au minimum notre impact sur l'environnement, à l'échelle locale et mondiale.

Nous n'utilisons que des matériaux et composants conformes au règlement REACH.

Nous respectons la législation en vigueur en matière d'environnement, notamment, les directives DEEE et RoHS.

1.4.1 Normes spécifiques au produit

Ce produit respecte les obligations de la norme DIN EN ISO 10535 (Produits d'assistance pour personnes en situation de handicap).

1574469-D

Pour obtenir de plus amples informations, veuillez contacter Invacare dans votre pays (adresses figurant à la fin du présent document).

1.5 Durée de vie

La durée de vie attendue de ce produit est de cinq ans lorsqu'il est utilisé quotidiennement et dans le respect des consignes de sécurité, des intervalles de maintenance et avec une utilisation correcte, comme indiqué dans le présent manuel. La durée de vie effective peut varier en fonction de la fréquence et de l'intensité de l'utilisation.

1.6 Limitation de responsabilité

Invacare décline toute responsabilité en cas de dommage lié à :

- un non respect du manuel d'utilisation,
- une utilisation incorrecte,
- l'usure normale,
- un assemblage ou montage incorrect par l'acheteur ou des tiers,
- des modifications techniques,
- des modifications non autorisées et/ou l'utilisation de pièces de rechange inadaptées.

2 Sécurité

2.1 Informations de sécurité



AVERTISSEMENT !

Risque de dommage matériel ou de blessure grave

Une utilisation inadéquate de ce produit est susceptible d'entraîner des blessures ou des dommages matériels.

- Si vous ne comprenez pas les avertissements, mises en garde ou instructions, contactez un professionnel de santé ou un fournisseur avant d'essayer d'utiliser cet équipement.
- N'utilisez pas ce produit ni tout autre équipement disponible en option sans avoir lu et compris entièrement les présentes instructions et toute autre documentation d'instructions supplémentaire, telle que le manuel d'utilisation, les manuels de maintenance ou fiches d'instructions fournis avec ce produit ou l'équipement en option.



AVERTISSEMENT !

Risque de blessure

- N'utilisez pas le produit s'il est défectueux.
- En cas de dysfonctionnement, contactez immédiatement votre fournisseur.
- Ne pas procéder à aucune modification non autorisée et ne pas transformer le produit.
- Ne vous tenez jamais debout sur l'élévateur pour rentrer dans la baignoire ou en sortir, ne l'utilisez pas pour monter ou descendre, ni comme plate-forme de levage ou tout autre usage similaire.



AVERTISSEMENT !

- Avant la première utilisation, nettoyez soigneusement le produit.
- Avant chaque utilisation, assurez-vous que le produit n'est pas endommagé et qu'il est correctement monté.



ATTENTION !

Risque de blessure

Des pièces non adaptées ou qui ne sont pas d'origine peuvent affecter le fonctionnement et la sécurité du produit.

- Utilisez uniquement les pièces d'origine du produit utilisé.
- Du fait de différences régionales, vous devez vous reporter au catalogue ou au site Internet Invacare de votre pays pour connaître les options qui sont disponibles ; vous pouvez également contacter un représentant Invacare. Reportez-vous aux adresses indiquées à la fin du présent document.

2.2 Informations de sécurité relatives à la compatibilité électromagnétique



AVERTISSEMENT !

Risque de dysfonctionnement dû aux interférences électromagnétiques

Des interférences électromagnétiques peuvent se produire entre ce produit et d'autres équipements électriques et affecter les fonctions de réglage électrique de ce produit. Pour prévenir, réduire ou éliminer ces interférences électromagnétiques :

- Veillez à utiliser uniquement des câbles, accessoires et pièces de rechange d'origine, afin de ne pas accroître les émissions électromagnétiques, ni réduire l'immunité électromagnétique de ce produit.
- N'utilisez aucun équipement de communication portable à fréquences radioélectriques (RF) à moins de 30 cm d'une partie quelconque de ce produit (câbles compris).
- N'utilisez pas ce produit à proximité d'un équipement chirurgical actif à haute fréquence, ni d'une salle d'imagerie à résonance magnétique avec blindage RF, où l'intensité des perturbations électromagnétiques est élevée.
- En cas de perturbations, augmentez la distance entre ce produit et l'autre équipement ou mettez ce dernier hors tension.



AVERTISSEMENT !

Risque de dysfonctionnement

Des interférences électromagnétiques peuvent affecter le fonctionnement.

- Lorsque vous l'utilisez, ce produit ne doit pas être placé à côté ou sur un autre équipement électrique. Si cela est nécessaire, il est indispensable d'inspecter rigoureusement ce produit et l'autre équipement afin de vérifier qu'ils fonctionnent normalement.

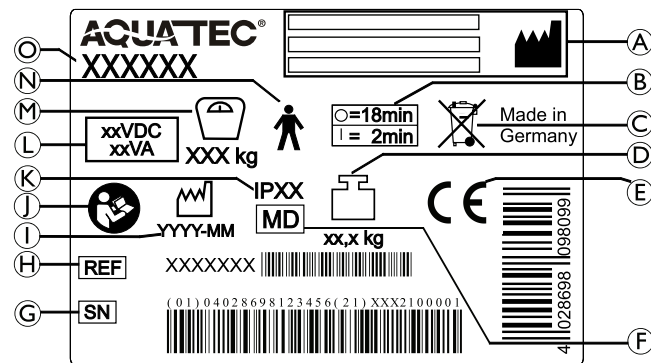


Nous n'avons connaissance d'aucun risque en cas d'utilisation de produits comme un stimulateur cardiaque.

2.3 Étiquettes et symboles figurant sur le produit

Autocollant d'identification

L'autocollant d'identification fournit des informations importantes :



Ⓐ	Adresse du fabricant
Ⓑ	Interval d'utilisation (le fonctionnement continu du moteur est interdit) : utilisation continue de 2 minutes maximum suivie par une interruption de 18 minutes
Ⓒ	Remarque (élimination)
Ⓓ	Poids du produit
Ⓔ	Marque de conformité
Ⓕ	Dispositif médical
Ⓖ	Numéro de série
Ⓕ	Numéro de référence
Ⓖ	Date de production
Ⓖ	Remarque (consulter la documentation jointe)

Ⓚ	Type de protection
Ⓛ	Tension/puissance nominale, reportez-vous à la rubrique <i>10 Caractéristiques Techniques, page 88</i>
Ⓜ	Capacité de charge
Ⓝ	Pièce appliquée de type B
©	Désignation du produit



L'autocollant d'identification se trouve à l'arrière du dossier.

3 Présentation du produit

3.1 Description du produit

Les systèmes Aquatec ORCA, ORCA F et ORCA XL sont des élévateurs de bain alimentés par batterie, qui fournissent une aide pour entrer ou sortir d'une baignoire. Il se compose d'une plaque d'assise (avec des rabats latéraux intégrés) dotée d'une surface antidérapante.

Les dossiers des modèles ORCA et ORCA XL sont rigides et peuvent être abaissés par une télécommande. Le modèle ORCA F dispose d'un dossier fixe. Une toile de siège et une toile de dossier sont disponibles en option pour tous les modèles.

Tous les modèles sont constitués d'une télécommande qui contrôle la montée et la descente du siège.

Le dossier peut être équipé de pièces latérales pour augmenter le soutien et la sécurité.

3.2 Utilisation prévue

Aquatec ORCA, ORCA F et ORCA XL sont destinés à être utilisés comme aide pour entrer ou sortir d'une baignoire en toute sécurité et sans effort.

Utilisateurs prévus

Les utilisateurs sont des personnes dont les mouvements sont restreints ou limités (jambes et/ou hanches par ex.) Sans l'aide d'une tierce-personne, l'utilisateur doit être en mesure de garder son équilibre.

Indications

- Mobilité réduite ou limitée (jambes et/ou hanches, par ex.) ou
- Problèmes d'équilibre pour se lever ou marcher en raison d'un handicap transitoire ou permanent.

Contre-indications

Il n'existe aucune contre-indication connue, lorsque le produit est utilisé comme prévu.

Le poids maximal de l'utilisateur est de :

- 140 kg (ORCA / ORCA F)
- 170 kg (ORCA XL)

3.3 Composants

Les composants suivants sont fournis à la livraison :

Télécommande et chargeur

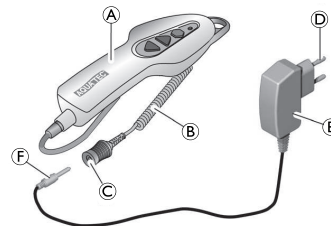


Fig. 3-1

- Ⓐ Télécommande avec batterie
- Ⓑ Câble spiralé
- Ⓒ Prise jack
- Ⓓ Fiche secteur
- Ⓔ Chargeur
- Ⓕ Fiche jack

Siège

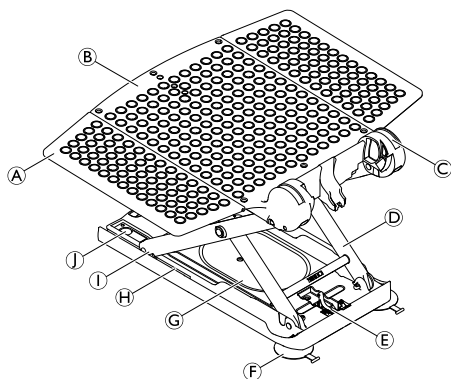


Fig. 3-2

- Ⓐ Rabat latéral
- Ⓑ Plaque d'assise
- Ⓒ Charnière du dossier
- Ⓓ Ciseaux de levage
- Ⓔ Mécanisme de retenue du pied de la tige
- Ⓕ Ventouses arrière (à filetage)
- Ⓖ Embase
- Ⓗ Glissière du patin
- Ⓘ Patin
- Ⓙ Ventouses avant (une languette à tête)

Dossier

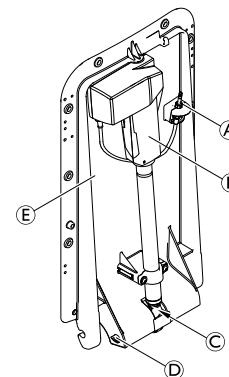


Fig. 3-3

- Ⓐ Fiche jack
- Ⓑ Entraînement
- Ⓒ Pied de la tige
- Ⓓ Goupille de verrouillage
- Ⓔ Plaque, dossier

4 Réglages (Mise en service)

4.1 Informations de sécurité

- !** **Risque de dommage matériel**
- Vérifiez que les pièces dans leur ensemble ne présentent pas de dommages causés pendant le transport et avant utilisation. Contactez votre fournisseur le cas échéant.
 - Lors du montage, assurez-vous que les pièces sont correctement positionnées les unes par rapport aux autres.
 - Il est conseillé de nettoyer les housses avant la première utilisation. Reportez-vous à la rubrique 7.2 *Nettoyage et désinfection*, page 81.

4.2 Montage de l'élévateur de bain



AVERTISSEMENT !
Risque de glissement

- L'élévateur de bain risque de glisser si les ventouses sont mal fixées.
- Nettoyez la baignoire et les ventouses à l'aide d'un chiffon humide avant de mettre en place l'élévateur de bain.
 - Ne modifiez pas la position de l'élévateur de bain dans la baignoire une fois l'installation terminée.



AVERTISSEMENT !
Risque de blessure et de dommage !

- Installez l'élévateur de bain uniquement dans des baignoires conformes aux spécifications du tableau suivant.
- Si un débordement latéral est présent dans la baignoire, utilisez les rabats latéraux spéciaux (disponibles en tant qu'accessoire).

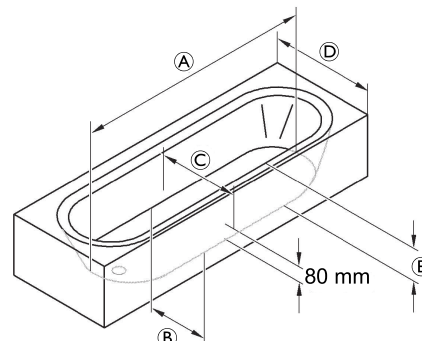


Fig. 4-1

Ⓐ	Longueur de la baignoire, fond	≥ 800 mm
Ⓑ	Largeur de la baignoire, fond (intérieur)	≥ 280 mm

©	Largeur de la baignoire, à 80 mm de haut (intérieur)	≥ 430 mm
©	Largeur de la baignoire (externe)	580 - 690 mm (avec rabats latéraux spéciaux) 700 - 740 mm (avec rabats latéraux standard) 750 - 1 000 mm (avec rabats latéraux spéciaux)
©	Hauteur de la baignoire (intérieur)	≤ 420 mm (avec adaptateur de hauteur, + 60 mm maxi.)



Risque de dommage matériel

- Vérifiez si les ventouses sont installées correctement.
- Assurez-vous que la batterie de la télécommande est chargée.
- Lorsque vous soulevez les composants de l'élévateur de bain, n'oubliez pas d'évaluer correctement les poids, reportez-vous à la rubrique *10.1 Dimensions et poids, page 88*.
- Si la baignoire est équipée de main courante interne, utilisez les écarteurs de rabats latéraux (disponibles en tant qu'accessoire).
- Pliez les rabats latéraux vers l'extérieur avant de rabattre le dossier.

1.

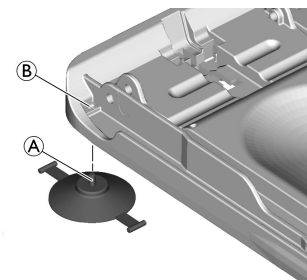


Fig. 4-2

Placez la ventouse arrière avec le boulon fileté ① sur l'écrou du manchon ② et vissez-la.
Vissez la ventouse comme le montre l'orientation sur l'illustration.

2.

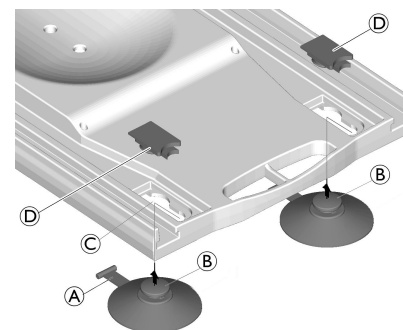


Fig. 4-3

Faites passer la bascule ① à travers l'alésage du trou de serrure ③ et placez-la dans l'évidement correspondant. Faites passer la tête de la ventouse ② à travers l'alésage

© et tirez le ventouse vers l'avant.
Fixez la ventouse avec le couvercle rouge ④.

3.

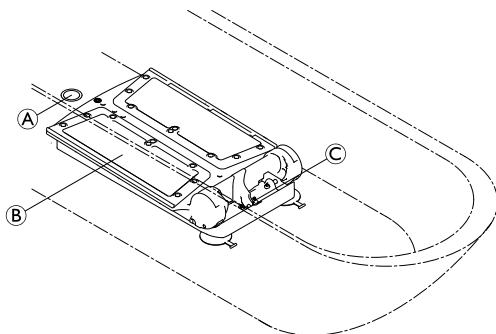


Fig. 4-4

Placez l'assise ⑥ au fond de la baignoire vide.
Assurez-vous que le mécanisme de retenue du pied
de la tige ③ est dirigé vers l'extrémité de la baignoire
opposée à la bonde ①.

4.

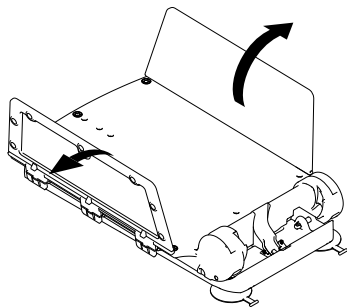


Fig. 4-5

Pliez les rabats latéraux de l'assise vers l'extérieur.

5.

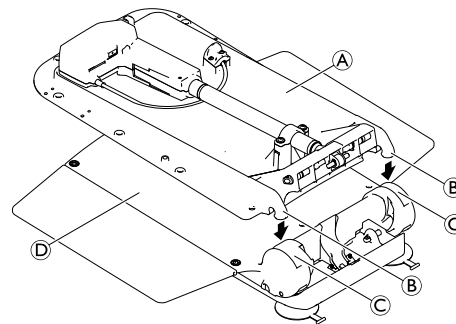


Fig. 4-6

Placez le dossier ① (sans la télécommande) sur le siège
afin que les crochets ② du dossier s'adaptent sur les
charnières ③ de la plaque d'assise ④.

6.



Risque de dommage matériel

Le produit peut être endommagé en cas de glissement du pied de la tige.

- Avant de rabattre le dossier, assurez-vous que la tige est entièrement rentrée et que le pied de la tige est de niveau et non tordu.
- Après avoir déplié le dossier, assurez-vous que le pied de la tige se trouve dans son logement.

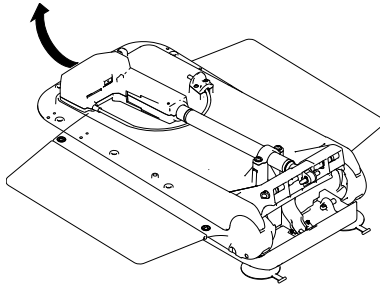


Fig. 4-7

Maintenez le dossier au centre de l'extrémité côté tête et rabattez-le avec précaution en position finale.

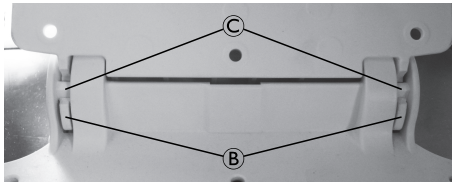


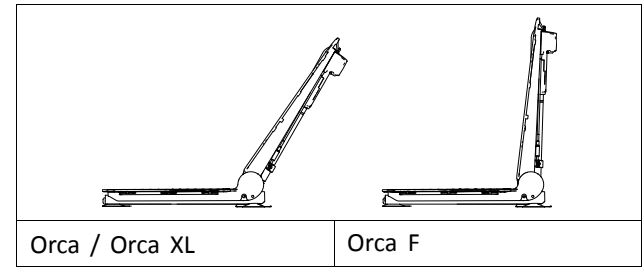
Fig. 4-8



Risque de dommage matériel

Le produit peut être endommagé si le dossier n'est pas correctement monté.

- Assurez-vous que les deux crochets B du dossier s'engagent dans les charnières C de la plaque d'assise.
- Vérifiez que le dossier est rabattu en position finale sans exercer de force et de résistance notable. La position finale est indiquée dans le schéma ci-après.



7.

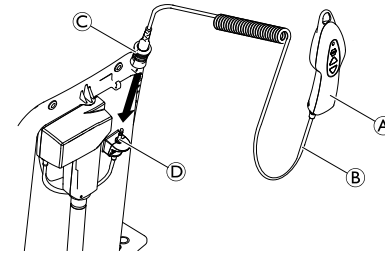


Fig. 4-9

Pour raccorder la télécommande A à l'élévateur de bain, branchez la prise jack avec le manchon de déverrouillage C sur la fiche jack D jusqu'à ce que le mécanisme de blocage s'enclenche de manière audible.



Risque de dommage matériel

- Veillez à ce que le dossier ne soit pas en contact avec le bord de la baignoire.
- Si nécessaire, positionnez l'élévateur de bain plus vers l'avant de la baignoire. Pour faire avancer davantage l'élévateur de bain dans la baignoire, abaissez l'élévateur de bain jusqu'au fond, desserrez les ventouses, puis déplacez l'élévateur de bain.

4.3 Charge de la batterie

Il n'est pas possible d'utiliser l'élévateur de bain pendant le chargement de la batterie.



AVERTISSEMENT !

Risque de choc électrique

- Rechargez uniquement la batterie dans des pièces sèches à température ambiante (de 15 °C à 25 °C), jamais dans la salle de bain.



Risque de dommage matériel

- Ne chargez la batterie de la télécommande qu'avec le chargeur fourni avec la batterie.
- Ne branchez le chargeur sur le secteur que lorsque la télécommande est raccordée au chargeur.
- Vérifiez que les caractéristiques de tension affichées sur le chargeur correspondent à celles du secteur.

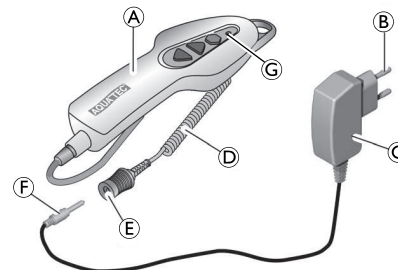


Fig. 4-10

1. Insérez la fiche jack ⑥ du chargeur ③ dans la prise jack ⑤ du câble spiralé ④ de la télécommande ① jusqu'à ce qu'elle s'enclenche.
2. Branchez la fiche secteur ② du chargeur sur une prise électrique.
 - ⓘ Le témoin lumineux rouge ⑦ de la télécommande s'éteint lorsque la batterie est complètement chargée. Il n'est pas possible de charger excessivement la batterie.
3. Débranchez le chargeur de la prise électrique.
4. Débranchez la fiche jack du chargeur de la prise jack située sur la télécommande.

5 Utilisation

5.1 Informations de sécurité



ATTENTION !

Risque de blessures ou de dommages matériels

De l'humidité peut pénétrer dans une télécommande endommagée, risquant d'entraîner un court-circuit et un incendie.

- Effectuez toujours une inspection visuelle du produit afin de déceler toute détérioration avant chaque usage.
- Si le boîtier de la télécommande est endommagé ou présente des fissures, n'utilisez pas celle-ci.



ATTENTION !

Risque de pincement

- Ne placez pas les doigts dans le guide entre la plaque d'assise et le dossier.
- Ne passez pas les mains sous la plaque d'assise ni entre les ciseaux de levage.



Risque de dommage matériel

Surcharger l'élévateur de bain peut endommager l'appareil ou empêcher le levage.

- Ne surchargez pas l'élévateur de bain et respectez les spécifications techniques indiquées sur l'autocollant d'identification ou reportez-vous à la rubrique *10 Caractéristiques Techniques, page 88* relatives à la capacité de charge.



Rechargez régulièrement la batterie, reportez-vous à la rubrique *3,4 Charge de la batterie dans 4 Réglages (Mise en service), page 70*.



Pour de plus amples informations sur les conditions de fonctionnement, reportez-vous à la rubrique *10.4 Paramètres environnementaux, page 89*.


5.2 Contrôle de l'élévateur de bain

L'élévateur de bain peut être déplacé dans les directions suivantes :



Fig. 5-1

L'utilisateur ou une tierce-personne contrôle l'élévateur de bain par la télécommande.

-  Avec une batterie complètement chargée, les systèmes ORCA et ORCA F peuvent servir pour cinq bains avec une charge de 140 kg. L'ORCA XL peut assurer quatre bains avec une charge de 170 kg.

- (A) Bouton d'arrêt d'urgence
- (B) Bouton Haut
- (C) Télécommande
- (D) Flèche vers le bas
- (E) Témoin lumineux

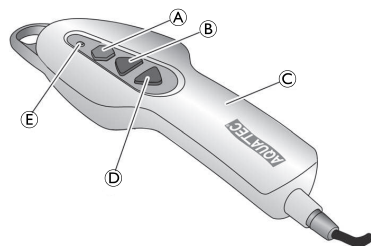



Fig. 5-2


! **Risque de dommage matériel**

– La télécommande peut uniquement être utilisée lorsque le dossier est correctement installé en position verticale.

-  Si la batterie de la télécommande (C) n'est pas suffisamment chargée, le témoin lumineux (E) s'allume en rouge si vous appuyez sur le bouton Bas (D). La fonction d'abaissement de l'élévateur de bain est alors désactivée. Néanmoins, il est toujours possible de soulever l'élévateur.


1. Rechargez immédiatement la batterie une fois que l'élévateur de bain a été levé.

Levage de l'élévateur de bain

-  Si le dossier est abaissé, il doit tout d'abord être redressé en position verticale (sauf sur le modèle ORCA F)

1. Appuyez sur le bouton Haut (B) de la télécommande et maintenez-le enfoncé. Le dossier passe en position droite ou l'assise se déplace vers le haut.
2. Relâchez le bouton Haut de la télécommande. L'élévateur de bain s'arrête dans la position actuelle.

Abaissement de l'élévateur de bain

-  Si le siège est déjà abaissé, le dossier s'abaisse vers l'arrière (sauf sur le modèle ORCA F).


1. Appuyez sur le bouton Bas (D) de la télécommande et maintenez-le enfoncé. Le siège se déplace vers le bas ou le dossier bascule vers l'arrière.
2. Relâchez le bouton Bas de la télécommande. L'élévateur de bain s'arrête dans la position actuelle.

Bouton d'arrêt d'urgence

- !** **Risque de dommage matériel**
- Appuyez uniquement sur le bouton d'arrêt d'urgence (A) si l'appareil ne s'arrête pas immédiatement lorsque le bouton Haut ou Bas est relâché (par ex. si un bouton se bloque). L'élévateur de bain s'arrête immédiatement et le témoin lumineux de la télécommande s'allume.

Si le témoin lumineux rouge s'éteint lorsque le bouton d'arrêt d'urgence est relâché, le problème a été résolu (p. ex. le bouton est à nouveau relâché). L'appareil peut à nouveau être utilisé.

Si le témoin lumineux rouge reste allumé après que le bouton d'arrêt d'urgence a été relâché, le problème n'a pas été résolu. L'appareil n'est pas prêt à être utilisé et doit être réparé, par exemple, en cas de dommage électronique.

 Contactez votre fournisseur si nécessaire.

5.3 Bain



AVERTISSEMENT ! **Risque de glissement**

L'élévateur de bain risque de glisser si les ventouses sont mal fixées.

- Avant d'utiliser l'élévateur de bain, assurez-vous qu'il est bien positionné et qu'il ne risque pas de basculer.
- Assurez-vous que l'élévateur de bain est mis en place dans une baignoire aux dimensions correctes, reportez-vous à la rubrique 4.2 *Montage de l'élévateur de bain, page 70*).



AVERTISSEMENT ! **Risque de blessure**

- Si votre état de santé ne vous permet pas de prendre un bain de votre propre compte, utilisez l'appareil uniquement sous surveillance.
- Si le dispositif est utilisé sans surveillance, un système d'alarme ou un téléphone doit être placé à portée de main en cas de problème imprévu (par ex. dysfonctionnements)
- Avant l'utilisation, vérifiez la température de l'eau du bain.



Risque de dommage matériel

- Les sels et les huiles de bain peuvent nuire au fonctionnement des ciseaux de levage.
- Si vous utilisez des produits de bain de ce type, ne dépassez pas la dose recommandée.



Faites fonctionner l'élévateur une fois à vide jusqu'en haut puis jusqu'en bas (test de fonctionnement).

1. Appuyez sur le bouton Haut et maintenez-le enfoncé jusqu'à ce que le siège se trouve au niveau du bord de la baignoire.
2. Assurez-vous que les rabats latéraux se trouvent au même niveau que l'assise et qu'ils reposent à plat sur le bord de la baignoire (position initiale).
3. Remplissez la baignoire d'eau.
4. Asseyez-vous sur le rabat latéral le plus proche de vous, comme sur une chaise.
5. Glissez vers l'arrière jusqu'à ce que vous vous trouviez au milieu de l'assise.

6. Tournez-vous en position de bain en levant une jambe puis l'autre par-dessus le bord de la baignoire.
7. Une fois assis correctement, appuyez sur le bouton Bas et maintenez-le enfoncé afin d'abaisser l'assise dans la baignoire.



Lorsque l'assise a atteint la position la plus basse, il est possible d'incliner le dossier en continuant d'appuyer sur le bouton Bas. Cela vous offre une position plus confortable pour le bain et vous permet de vous plonger plus profondément dans l'eau du bain (pas sur le modèle ORCA F).

8. Appuyez sur le bouton Bas jusqu'à ce que le dossier se trouve à la position souhaitée.



Pour sortir de la baignoire, procédez en sens inverse.

9. Pour lever le dossier ou l'élévateur de bain, appuyez et maintenez enfoncé le bouton Haut jusqu'à ce que l'assise soit au même niveau que le bord de la baignoire.



Risque de dommage matériel

- Débranchez la télécommande du dispositif lorsque l'élévateur de bain n'est pas utilisé, reportez-vous à la rubrique 6.2 *Démontage de l'élévateur de bain*, page 79, étape 3.

6 Transport

6.1 Informations de sécurité

- ! **Risque de dommage matériel**
 - Le dossier n'est pas verrouillé sur l'assise lorsqu'il est plié et il peut se détacher.

1. Retirez la télécommande.
2. Pour le transport, démontez l'élévateur de bain en deux parties (châssis avec plaque d'assise et dossier), reportez-vous à la rubrique 6.2 *Démontage de l'élévateur de bain*, page 79.

- ! **Risque de dommage matériel**
 - Ne retirez pas les ventouses lorsque vous transportez l'élévateur de bain.
 - Consultez les conditions de stockage et de transport figurant au chapitre 10.4 *Paramètres environnementaux*, page 89.

6.2 Démontage de l'élévateur de bain

1. Laissez l'eau s'écouler de la baignoire.
2. Abaissez l'élévateur de bain au moyen du bouton Bas jusqu'à ce que le dossier s'arrête en position inférieure, reportez-vous à la rubrique 5.2 *Contrôle de l'élévateur de bain*, page 75.
3. Dégagez la prise jack du câble spiralé de la télécommande en poussant le manchon de déverrouillage vers le haut pour le retirer de la fiche jack.

4.

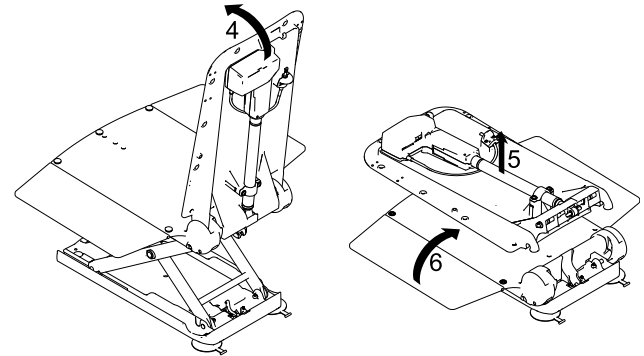


Fig. 6-1

Maintenez d'une main le dossier au niveau de l'extrémité de la tête et pliez lentement le dossier vers l'avant en position finale.

- ! **Risque de dommage matériel**
 - Ne pliez pas le dossier si de l'eau se trouve dans la baignoire.
 - Avant de plier le dossier, assurez-vous qu'il est complètement en position abaissée.
 - Lorsque vous repliez le dossier, veillez à ce que le câble spiralé de la télécommande ne soit pas bloqué.

5. Retirez le dossier de l'assise et hors de la baignoire.
6. Pliez les rabats latéraux de l'assise vers l'intérieur.

7.

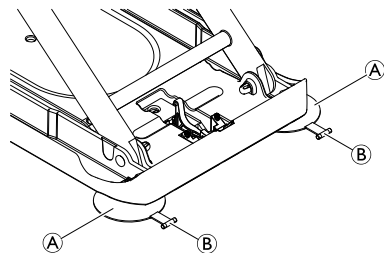




Fig. 6-2


Dégagez les ventouses arrière ① en soulevant les languettes saillantes ②.

 Relâchez simultanément les deux ventouses arrière.

8. Soulevez légèrement l'arrière de l'assise afin de dégager les ventouses avant.

 Si les adaptateurs de hauteur ont été installés (facultatifs), vous devez également tirer sur les languettes des ventouses avant pour les détacher.

9. Sortez le châssis de base avec la plaque d'assise de la baignoire.

 Avant de sortir l'assise de la baignoire, assurez-vous que toutes les ventouses ont été détachées.

10. Rangez avec soin tous les composants de l'élévateur de bain.

7 Maintenance

7.1 Entretien et inspection

Si vous observez les instructions de nettoyage et les consignes de sécurité fournies, aucune intervention de maintenance ne sera nécessaire sur le produit.



Risque de dommage matériel

La télécommande ne peut être ouverte que par le fabricant de l'élévateur de bain.

1. Vérifiez régulièrement le produit afin de vous assurer qu'il n'est pas endommagé et qu'il est monté correctement.
2. En cas de détérioration ou de réparation éventuellement nécessaire, contactez immédiatement votre revendeur.
3. Un fournisseur agréé doit vérifier l'élévateur de bain avant chaque réutilisation. Nous recommandons de vérifier l'élévateur de bain après 24 mois au plus tard (conformément à la norme DIN EN ISO 10535).
4. Si l'élévateur de bain n'est pas utilisé pendant une longue durée, chargez complètement la batterie puis levez et abaissez l'élévateur trois fois sans charge. Répétez l'opération tous les 3 mois. Ceci permet de préserver la durée de vie de la batterie.

7.2 Nettoyage et désinfection

7.2.1 Informations de sécurité générales



ATTENTION !

Risque de contamination

- Prenez toutes les précautions nécessaires pour vous protéger et portez un équipement de protection adéquat.



ATTENTION !

Risque de décharge électrique et de détérioration du produit

- Éteignez l'appareil et débranchez-le du secteur, le cas échéant.
- Lors du nettoyage de composants électroniques, tenez compte de leur classe de protection concernant la pénétration d'eau.
- Assurez-vous qu'il n'y ait pas d'éclaboussures d'eau sur le câble d'alimentation ou sur la prise secteur.
- Ne touchez pas la prise électrique avec les mains mouillées.

! **IMPORTANT !**

- Des méthodes ou des liquides inappropriés risqueraient de blesser quelqu'un ou d'endommager le produit.
- Tous les désinfectants et agents de nettoyage utilisés doivent être efficaces, compatibles entre eux et protéger les surfaces qu'ils sont censés nettoyer.
 - N'utilisez jamais d'agents de nettoyage corrosifs (alcalins, acides, etc.) ou abrasifs. Nous recommandons d'utiliser un agent de nettoyage ménager ordinaire, comme du liquide vaisselle, sauf indication contraire dans les instructions de nettoyage.
 - N'utilisez jamais de solvant (diluant cellulosique, acétone, etc.) qui modifie la structure du plastique ou dissout les étiquettes apposées.
 - Procédez à un séchage complet du produit avant toute nouvelle utilisation.



Pour le nettoyage et la désinfection en environnement clinique ou de soins à long terme, suivez les procédures internes.

7.2.2 Fréquence de nettoyage**!** **IMPORTANT !**

- Une désinfection et un nettoyage régulier garantissent un bon fonctionnement, augmentent la durée de vie et permettent d'éviter toute contamination.
- Nettoyez et désinfectez le produit
- régulièrement lors de son utilisation,
 - avant et après toute procédure d'entretien,
 - lorsqu'il a été en contact avec des fluides corporels, quels qu'ils soient,
 - avant de l'utiliser pour un nouvel utilisateur.

7.2.3 Instructions de nettoyage

Ce produit peut être nettoyé au moyen de produits disponibles dans le commerce.

Nettoyage de l'assise et du dossier**ATTENTION !****Risque de pincement**

- Soyez spécialement prudent lorsque vous nettoyez la zone des ciseaux de levage, car ils risquent de bouger et de provoquer des blessures.

**Risque de dommage matériel**

- N'utilisez jamais de nettoyeur à haute pression pour nettoyer le dossier.

1. Lavez le produit avec un chiffon ou une brosse.
2. Rincez le produit à l'eau chaude.

3. Essuyez le produit avec un chiffon.
4. Graissez légèrement le guide du patin (reportez-vous à la fig. 3.1, repère ④ au chapitre 3.3 *Composants, page 68*) à l'aide de vaseline.

Nettoyage des housses (facultatif)



Il est conseillé de nettoyer les housses avant la première utilisation. Par mesure d'hygiène, nous vous recommandons de nettoyer les housses régulièrement et de les changer tous les ans.

1. Déboutonnez la housses de siège et la toile de dossier.
2. Lavez les housses en machine à laver à une température maximale de 60 °C et avec un détergent doux.



Risque de dommage matériel

- Le lavage à des températures élevées peut endommager la housse ou provoquer son rétrécissement.
- Ne séchez pas les housses dans un sèche-linge.

Nettoyage du chargeur et de la télécommande



AVERTISSEMENT !

Risque de choc électrique

- Débranchez toujours la fiche de la prise électrique avant de nettoyer le chargeur.
- N'insérez jamais d'objets réalisés en matériau conducteur (par ex. aiguilles à tricoter, fiches métalliques) dans la prise jack de la télécommande.
- N'utilisez jamais de chiffon humide ou trempé pour nettoyer le chargeur.

1. Nettoyez le chargeur avec un chiffon sec.
2. Nettoyez la télécommande avec un chiffon humide.
3. Utilisez un chiffon sec pour sécher la télécommande.

7.2.4 Instructions de désinfection



Des informations complémentaires sur les méthodes et les désinfectants recommandés peuvent être consultées à l'adresse <https://vah-online.de/en/for-users>.

Pour les soins à domicile

Méthode : suivez les consignes d'application du désinfectant utilisé et essuyez toutes les surfaces accessibles pour les désinfecter.

Désinfectant : désinfectant ordinaire à usage domestique.

Séchage : Laissez sécher le produit à l'air.

Pour les soins cliniques et à long terme

Suivez vos procédures de désinfection internes et utilisez uniquement les désinfectants et méthodes préconisés.

8 Après l'utilisation

8.1 Stockage



Risque de dommage matériel

- N'entreposez pas le produit près de sources de chaleur.
- Ne stockez pas la batterie près de flammes nues.
- Conservez le produit à l'abri de la lumière directe du soleil.
- Consultez les conditions de stockage et de transport figurant à la section *10.4 Paramètres environnementaux, page 89*.

8.2 Reconditionnement

Ce produit peut être réutilisé. Pour reconditionner le produit en vue de son utilisation par un nouvel utilisateur, il convient d'effectuer les opérations suivantes :

- Examen
- Nettoyage et désinfection

Pour plus d'informations, reportez-vous à la section *7 Maintenance, page 81* et au manuel de maintenance de ce produit.

Assurez-vous de remettre le manuel d'utilisation avec le produit.

Si un dommage ou un dysfonctionnement est détecté, le produit ne doit pas être réutilisé.

8.3 Mise au rebut



AVERTISSEMENT !

Risque pour l'environnement

L'appareil contient des batteries.

Ce produit peut contenir des substances nuisibles à l'environnement s'il est jeté dans un endroit (décharge) non conforme à la législation en vigueur.

- NE JETEZ PAS les batteries avec les déchets ménagers.
- NE jetez PAS les batteries au feu.
- Les batteries DOIVENT être déposées dans un site prévu à cet effet. Leur élimination est exigée par la loi et gratuite.
- Seules des batteries déchargées peuvent être mises au rebut.
- Couvrez les bornes des batteries au lithium avant leur mise au rebut.
- Pour plus d'informations sur le type de batterie, reportez-vous à l'étiquette de la batterie ou au chapitre *10 Caractéristiques Techniques, page 88*

Préservez l'environnement en faisant recycler ce produit en fin de vie dans un centre de recyclage.

Désassemblez le produit et ses composants afin que les différents matériaux puissent être séparés et recyclés individuellement.

La mise au rebut et le recyclage des produits usagés et de l'emballage doivent respecter la législation et les règlements relatifs à la gestion des déchets de chaque pays. Contactez

vosre organisme local de traitement des déchets pour plus d'informations.

9 Dépannage

9.1 Identification et résolution des pannes



Le tableau suivant fournit des informations sur les défaillances et leurs causes possibles. Si les solutions proposées ne permettent pas de résoudre le problème, veuillez contacter directement votre fournisseur.

Défaillance	Cause possible	Solution
Le moteur ne fait aucun bruit / L'élévateur ne bouge pas.	La prise jack de la télécommande n'est pas engagée correctement.	Engagez la prise jack, → 4.2 Montage de l'élévateur de bain, page 70.
	La batterie est déchargée.	Rechargez entièrement la batterie, → 4.3 Charge de la batterie, page 74.
	Les contacts sont sales.	Nettoyez la fiche située sur le dossier, → le cas échéant, contactez votre fournisseur.
	Le câble est écrasé / endommagé.	Remplacez la télécommande, → le cas échéant, contactez votre fournisseur.
L'élévateur peut monter mais ne peut pas descendre.	La protection de basse tension est activée.	Rechargez entièrement la batterie, → 4.3 Charge de la batterie, page 74.
L'élévateur s'arrête en cours de levage.	La charge est trop importante.	Respectez la charge maximale, → 10.1 Dimensions et poids, page 88.
L'élévateur de bain n'adhère pas correctement à la baignoire.	Les ventouses sont vieilles ou endommagées.	Remplacez les ventouses, → le cas échéant, contactez votre fournisseur.
La batterie ne se recharge pas et le témoin rouge clignote pendant le chargement.	Problème d'ordre électronique	Contactez votre fournisseur agréé afin qu'il vérifie la télécommande.
	Batterie défectueuse.	Remplacez la télécommande.

Défaillance	Cause possible	Solution
	Chargeur défectueux.	Contactez votre fournisseur agréé afin qu'il vérifie le chargeur.
	La batterie est trop chaude.	Ne chargez pas la télécommande près de sources de chaleur (p. ex. chauffage, lumière directe du soleil). Le chargement se poursuit dès que la température redescend au seuil acceptable.

10 Caractéristiques Techniques

10.1 Dimensions et poids

Longueur totale en position la plus basse	920 mm
Longueur totale en position la plus haute	650 mm
Hauteur totale en position la plus haute	1075 mm
Longueur de l'assise	590 mm
Largeur de l'assise avec rabats latéraux dépliés vers l'extérieur	715 mm
Largeur de l'assise avec rabats latéraux dépliés vers l'intérieur	390 mm
Hauteur de l'assise en position la plus basse	60 mm
Hauteur de l'assise en position la plus haute	420 mm
Largeur du dossier	360 mm
Angle minimum du dossier	8°
Largeur de la plaque de base	295 mm
Charge maxi (ORCA / ORCA F) Charge maxi (ORCA XL)	140 kg 170 kg
Poids total sans la télécommande (ORCA) (ORCA F) (ORCA XL)	10,8 kg 11,4 kg 11,6 kg
Poids de l'assise (ORCA) (ORCA F) (ORCA XL)	6,6 kg 7,2 kg 7,4 kg

Poids du dossier (ORCA / ORCA F / ORCA XL)	4,2 kg
Poids de la télécommande	0,4 kg
Poids du chargeur	0,1 kg

10.2 Données électroniques

Force d'activation des boutons de la télécommande	< 5 N
Tension de fonctionnement de la télécommande ¹⁾	11,1 V cc /10,95 V cc /10,8 V cc
Puissance d'entrée nominale ¹⁾	44 VA / 43 VA
Courant nominal	4 A
Type de batterie	ions lithium
Tension d'entrée du chargeur	100 - 240 V ca, 50 - 60 Hz
Tension de sortie du chargeur	24 V cc, 135 mA, 3 VA
Temps de charge à partir de l'avertissement de tension faible	environ 4.5 h
Type de protection, entraînement	IP X6 W ²⁾
Type de protection, télécommande	IP 67 ³⁾

Type de protection, produit entier	IP X6 ⁴⁾
Niveau sonore	52 dB(A)

Le vérin ne s'arrête pas en cas de surcharge. Ne surchargez pas l'élévateur de bain pour éviter d'endommager l'appareil.

¹⁾ 11,1 V cc / 44 VA applicables lorsque vous utilisez les télécommandes d'une tension de 11,1 V, indiquée au dos de la télécommande.

10,95 V cc / 44 VA applicables lorsque vous utilisez les télécommandes d'une tension de 10,95 V, indiquée au dos de la télécommande.

10,8 V cc / 43 VA applicables lorsque vous utilisez les télécommandes d'une tension de 10,8 V, indiquée au dos de la télécommande.

²⁾ Protégé contre la pénétration d'eau en cas de jets d'eau puissants, testé dans les conditions météorologiques établies.

³⁾ protection contre la poussière et contre l'infiltration d'eau en cas d'immersion temporaire.

⁴⁾ Protégé contre l'infiltration d'eau en cas de jets d'eau importants.

10.3 Matériaux

Dossier	PPGF
Plaque d'assise	PPGF
Revêtement	PVC



Tous les matériaux sont résistants à la corrosion et exempts de latex.

10.4 Paramètres environnementaux

Conditions de fonctionnement	
Température ambiante	10 °C - 40 °C
Humidité relative	15 % - 93 %, sans condensation
Pression atmosphérique	795 hPa - 1060 hPa
Conditions de stockage et de transport	
Température ambiante	0 °C - 40 °C
Humidité relative	30 % - 75 %, sans condensation
Pression atmosphérique	795 hPa - 1060 hPa

Sommario

Il presente manuale deve essere fornito all'utilizzatore del prodotto. PRIMA di utilizzare il prodotto, È NECESSARIO leggere il presente manuale e conservarlo per poterlo consultare in futuro.

1 Generale	92
1.1 Introduzione	92
1.2 Simboli in questo manuale	92
1.3 Garanzia	92
1.4 Conformità	93
1.4.1 Standard specifici per il prodotto	93
1.5 Durata	93
1.6 Limiti di responsabilità	93
2 Sicurezza	94
2.1 Informazioni per la sicurezza	94
2.2 Informazioni per la sicurezza relative alla compatibilità elettromagnetica	95
2.3 Etichette e simboli sul prodotto	96
3 Panoramica del prodotto	97
3.1 Descrizione del prodotto	97
3.2 Uso previsto	97
3.3 Componenti	97
4 Messa in servizio	99
4.1 Informazioni per la sicurezza	99
4.2 Installazione del sollevatore per vasca da bagno	99
4.3 Batteria in carica	103
5 Uso	105
5.1 Informazioni per la sicurezza	105
5.2 Controllo del sollevatore per vasca da bagno	105
5.3 Utilizzo mentre si fa il bagno	107
6 Trasporto	109
6.1 Informazioni per la sicurezza	109

6.2 Rimozione del sollevatore per vasca da bagno	109
7 Manutenzione	111
7.1 Manutenzione e ispezione	111
7.2 Pulizia e disinfezione	111
7.2.1 Informazioni generali sulla sicurezza	111
7.2.2 Intervalli di pulizia	112
7.2.3 Istruzioni per la pulizia	112
7.2.4 Istruzioni per la disinfezione	113
8 Dopo l'utilizzo	114
8.1 Conservazione	114
8.2 Ricondizionamento	114
8.3 Smaltimento	114
9 Guida alla soluzione dei problemi	115
9.1 Identificazione e riparazione dei guasti	115
10 Dati Tecnici	117
10.1 Dimensioni e peso	117
10.2 Dati elettronici	117
10.3 Materiali	118
10.4 Parametri ambientali	118

1 Generale

1.1 Introduzione

Il presente manuale d'uso contiene informazioni importanti sul trattamento del prodotto. Per garantire la sicurezza di utilizzo del prodotto, leggere attentamente il manuale d'uso e seguire le istruzioni per la sicurezza.

Si noti che alcune sezioni contenute nel presente documento potrebbero non riguardare il proprio prodotto, in quanto il presente documento si applica a tutti i modelli disponibili (alla data di stampa). Se non specificato diversamente, ogni sezione del presente documento si riferisce a tutti i modelli del prodotto.

I modelli e le configurazioni disponibili nel proprio paese sono riportati nei documenti di vendita specifici per paese.

Invacare si riserva il diritto di modificare le specifiche del prodotto senza ulteriore preavviso.

Prima di leggere il presente documento, verificare di essere in possesso dell'ultima versione, disponibile in formato PDF sul sito web Invacare.

Se si ritiene che la dimensione dei caratteri nella versione cartacea del documento sia di difficile lettura, è possibile scaricare dal sito web la versione in formato PDF. Il PDF può essere ingrandito sullo schermo in modo da ottenere una dimensione dei caratteri più facile da leggere.

Per ulteriori informazioni sul prodotto, ad esempio le note sulla sicurezza del prodotto e i richiami di prodotti, si prega di contattare il proprio rappresentante Invacare. Vedere gli indirizzi alla fine del presente documento.

In caso di incidente grave relativo al prodotto, è necessario informare il produttore e l'autorità competente nel proprio paese.

1.2 Simboli in questo manuale

In questo manuale tutte quelle situazioni non sicure o pericolose che possono portare a lesioni alle persone o danni ai materiali sono evidenziate mediante simboli e avvertimenti. Qui di seguito sono riportate le spiegazioni di tutti i possibili avvertimenti.



ATTENZIONE

Indica una situazione pericolosa che, se non evitata, potrebbe essere causa di morte o lesioni gravi.



AVVERTENZA

Indica una situazione pericolosa che, se non evitata, potrebbe essere causa di lesioni minori o leggere.



IMPORTANTE

Indica una situazione pericolosa che, se non evitata, potrebbe essere causa di danni al prodotto.



Consigli e raccomandazioni

Indica consigli, raccomandazioni e informazioni utili per un uso efficace e senza inconvenienti.

1.3 Garanzia

Forniamo una garanzia del fabbricante per il prodotto in conformità con i Termini e le condizioni generali di vendita applicabili nei rispettivi Paesi. La garanzia può essere fatta

valere solo attraverso il fornitore presso il quale è stato acquistato il prodotto.

I rivestimenti e le ventose ne sono esclusi.

1.4 Conformità

La qualità è fondamentale per l'azienda, che opera nel rispetto e nell'ambito della norma ISO 13485.

Il prodotto è dotato di marchio CE, in conformità al Regolamento Dispositivi Medici 2017/745 Classe 1. La data di lancio di questo prodotto è indicata nella dichiarazione di conformità CE.

Lavoriamo costantemente per garantire che l'impatto ambientale dell'azienda a livello locale e globale sia ridotto al minimo.

Garantiamo di utilizzare esclusivamente materiali e componenti conformi alla direttiva REACH.

Rispettiamo le normative ambientali RAEE e RoHS in vigore.

1.4.1 Standard specifici per il prodotto

Il prodotto soddisfa le disposizioni dello standard DIN EN ISO 10535 (sollevatori per il trasferimento di persone disabili).

Per ulteriori informazioni si prega di contattare la propria filiale Invacare nazionale (gli indirizzi sono riportati alla fine del presente documento).

1.5 Durata

La durata prevista per questo prodotto è di cinque anni, a condizione che sia utilizzato quotidianamente e in conformità

1574469-D

alle istruzioni per la sicurezza, seguendo gli intervalli di manutenzione e le indicazioni per un uso corretto come indicato nel presente manuale. La durata effettiva può variare a seconda della frequenza e dell'intensità d'uso.

1.6 Limiti di responsabilità

Invacare non si assume alcuna responsabilità per danni derivanti da:

- Non conformità con il manuale d'uso
- Utilizzo non corretto
- Consumo e usura naturali
- Montaggio o preparazione non corretti da parte dell'acquirente o di terzi
- Modifiche tecniche
- Modifiche non autorizzate e/o utilizzo di pezzi di ricambio non adatti

2 Sicurezza

2.1 Informazioni per la sicurezza



ATTENZIONE!

Pericolo di lesioni gravi o danni

Un uso improprio del prodotto può causare lesioni o danni.

- In presenza di messaggi di attenzione, precauzioni o istruzioni di difficile comprensione, contattare il personale medico professionale o il fornitore prima di iniziare a utilizzare questo prodotto.
- Non usare questo prodotto o nessun altro dispositivo opzionale disponibile senza prima aver letto attentamente e compreso fino in fondo le presenti istruzioni e ogni altro materiale informativo, come il manuale d'uso, il manuale per la manutenzione o i fogli di istruzione forniti con questo prodotto o con i dispositivi opzionali.



ATTENZIONE!

Pericolo di lesioni

- Non utilizzare se difettoso.
- In caso di malfunzionamento, contattare immediatamente il fornitore.
- Non apportare modifiche o alterazioni non autorizzate al prodotto.
- Non salire mai in piedi sul sollevatore per vasca da bagno per entrare o uscire dalla vasca da bagno, non usarlo per salire o scendere, come piattaforma di sollevamento né per nessuno scopo simile.



ATTENZIONE!

- Prima del primo utilizzo, pulire accuratamente il prodotto.
- Prima di ogni utilizzo, controllare che il prodotto non abbia subito danni e assicurarsi che sia ben assemblato.

**AVVERTENZA!****Pericolo di lesioni**

Componenti non originali o non corretti possono alterare il funzionamento e la sicurezza del prodotto.

- Utilizzare esclusivamente componenti originali per il prodotto in uso.
- In considerazione delle differenze regionali, fare riferimento al catalogo o al sito web locale di Invacare per conoscere le opzioni disponibili oppure contattare il rappresentante locale Invacare. Vedere gli indirizzi alla fine del presente documento.

2.2 Informazioni per la sicurezza relative alla compatibilità elettromagnetica

**ATTENZIONE!****Rischio di malfunzionamento dovuto a interferenze elettromagnetiche**

Possono verificarsi interferenze elettromagnetiche tra questo prodotto e altre apparecchiature elettriche, che possono disturbare le funzioni di regolazione elettrica di questo prodotto. Per prevenire, ridurre o eliminare tali interferenze elettromagnetiche:

- Utilizzare esclusivamente cavi, accessori e pezzi di ricambio originali, non aumentare le emissioni elettromagnetiche né ridurre l'immunità elettromagnetica di questo prodotto.
- Non utilizzare apparecchiature di comunicazione in radiofrequenza (RF) portatili a una distanza inferiore a 30 cm da qualsiasi parte di questo prodotto (compresi i cavi).
- Non utilizzare questo prodotto nelle vicinanze di apparecchiature chirurgiche ad alta frequenza in funzione e della stanza schermata da RF di un sistema per la risonanza magnetica in cui l'intensità dei disturbi elettromagnetici sia elevata.
- In presenza di disturbi, aumentare la distanza tra questo prodotto e le altre apparecchiature oppure disinserire queste ultime.



ATTENZIONE!

Rischio di malfunzionamento

Le interferenze elettromagnetiche possono causare malfunzionamenti.

- Non utilizzare il presente prodotto vicino o sovrapposto ad altre apparecchiature elettriche. Se tale utilizzo fosse necessario, controllare attentamente che il prodotto e le altre apparecchiature funzionino normalmente.

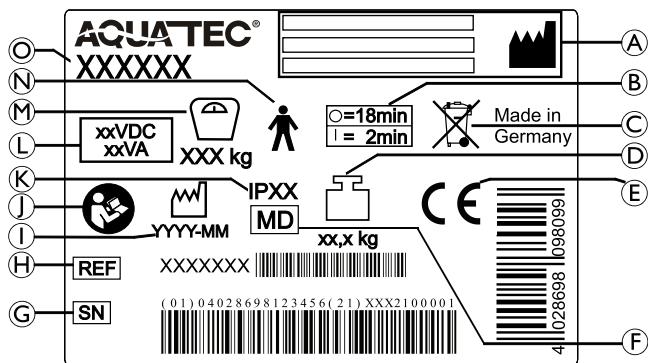


Non sono noti rischi durante l'utilizzo di prodotti come un pacemaker cardiaco.

2.3 Etichette e simboli sul prodotto

Etichetta modello

L'etichetta modello riporta informazioni importanti:



Ⓐ	Indirizzo del produttore
Ⓑ	Intervallo di utilizzo (non è consentito il funzionamento continuo del motore): massimo 2 minuti di uso continuo, seguiti da una pausa di 18 minuti
Ⓒ	Nota (smaltimento)
Ⓓ	Peso del prodotto
Ⓔ	Contrassegno di conformità
Ⓕ	Dispositivo medico
Ⓖ	Numero di serie del dispositivo
Ⓗ	Codice di riferimento
Ⓘ	Data di produzione
Ⓙ	Nota (consultare e rispettare la relativa documentazione)
Ⓚ	Tipo di protezione
Ⓛ	Tensione nominale/potenza nominale, fare riferimento a <i>10 Dati Tecnici, pagina 117</i>
Ⓜ	Portata
Ⓝ	Parte applicata di tipo B
Ⓞ	Nome del modello



L'etichetta modello è applicata sul retro dello schienale.

3 Panoramica del prodotto

3.1 Descrizione del prodotto

Aquatec ORCA, ORCA F e ORCA XL sono sollevatori per vasca da bagno alimentati a batteria che forniscono un ausilio per entrare o uscire da una vasca da bagno. Sono composti da una piastra del sedile (con ribalte laterali integrate) con superficie antiscivolo.

ORCA e ORCA XL presentano uno schienale rigido che può essere abbassato mediante telecomando. ORCA F presenta uno schienale fisso. Per tutti i modelli è disponibile come opzione un rivestimento dello schienale e del sedile.

Tutti i modelli sono composti da un telecomando che controlla il sollevamento o l'abbassamento del sedile.

Lo schienale può essere dotato di parti laterali per aumentare il supporto e la sicurezza.

3.2 Uso previsto

Aquatec ORCA, ORCA F e ORCA XL sono destinati ad essere utilizzati come ausilio per entrare o uscire da una vasca da bagno in modo sicuro e senza sforzo.

Utilizzatori previsti

Gli utilizzatori sono persone con mobilità ridotta o limitata (ad esempio, gambe e/o fianchi). Se utilizzato senza assistente, l'utilizzatore deve essere in grado di mantenere l'equilibrio.

Indicazioni

- Mobilità limitata o limitata (ad es. gambe e/o fianchi) o

- con problemi di equilibrio quando ci si alza o si cammina a causa di disabilità transitorie o permanenti.

Controindicazioni

Se si utilizza il prodotto come previsto, non sono note controindicazioni.

Il peso utilizzatore massimo è:

- 140 kg (ORCA/ORCA F)
- 170 kg (ORCA XL)

3.3 Componenti

Fanno parte della fornitura i seguenti componenti:

Pulsantiera e caricabatteria

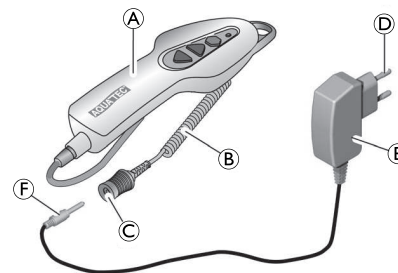


Fig. 3-1

- | | |
|----------------------------|--------------------------|
| Ⓐ Pulsantiera con batteria | Ⓓ Spina di alimentazione |
| Ⓑ Cavo a spirale | Ⓔ Caricabatteria |
| Ⓒ Presa a jack | Ⓕ Spina a jack |

Sedile

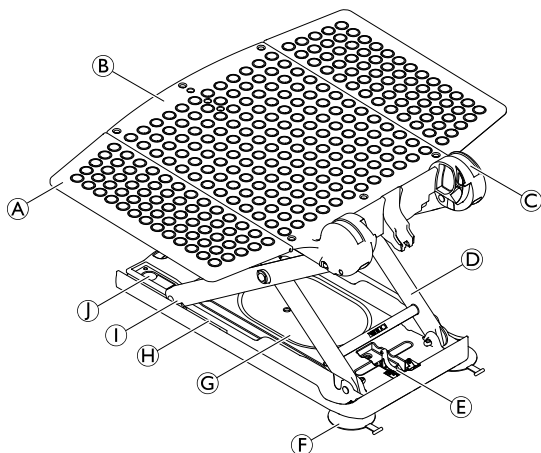


Fig. 3-2

Schienale

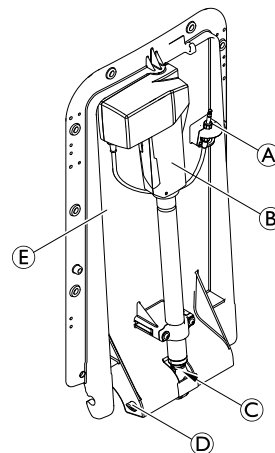


Fig. 3-3

- | | |
|---|---|
| Ⓐ Ribalta laterale | Ⓕ Ventose posteriori (con filettatura) |
| Ⓑ Piastra del sedile | Ⓖ Piastra di base |
| Ⓒ Cerniera per lo schienale | Ⓗ Guida per il pattino scorrevole |
| Ⓓ Forbici di sollevamento | Ⓘ Pattino scorrevole |
| Ⓔ Alloggiamento della base del mandrino | ⓵ Ventose anteriori (una linguetta con testa) |

- | | |
|---------------------|-----------------------|
| Ⓐ Spina a jack | Ⓓ Perno di bloccaggio |
| Ⓑ Azionamento | Ⓔ Piastra, schienale |
| Ⓒ Base del mandrino | |

4 Messa in servizio

4.1 Informazioni per la sicurezza



Rischio di danni

- Controllare tutti i componenti per verificare che non presentino danni derivanti dal trasporto e controllare prima dell'utilizzo. Se necessario, rivolgersi al fornitore.
- Assicurarsi che durante il montaggio le parti siano posizionate correttamente l'una rispetto all'altra.
- Si raccomanda di lavare i rivestimenti prima del primo utilizzo, fare riferimento a 7.2 *Pulizia e disinfezione*, pagina 111

4.2 Installazione del sollevatore per vasca da bagno



ATTENZIONE!

Rischio di scivolamento

- Il sollevatore per vasca da bagno può scivolare se le ventose non hanno una buona tenuta.
- Pulire la vasca e le ventose con un panno umido prima di installare il sollevatore per vasca da bagno.
 - Non modificare la posizione del sollevatore per vasca da bagno all'interno della vasca dopo averlo installato.



ATTENZIONE!

Pericolo di lesioni e danni.

- Installare il sollevatore per vasca da bagno solo in vasche conformi alle specifiche della seguente tabella.
- Se la vasca da bagno è dotata di troppopieno laterale, usare le ribalte laterali speciali (disponibili come accessorio).

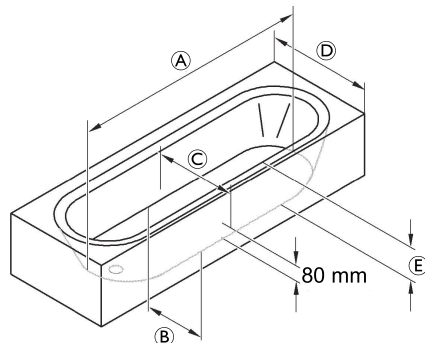


Fig. 4-1

Ⓐ	Lunghezza vasca, fondo	≥ 800 mm
Ⓑ	Larghezza vasca, fondo (interno)	≥ 280 mm

©	Larghezza vasca, a un'altezza di 80 mm (interno)	≥ 430 mm
©	Larghezza vasca (esterno)	580 - 690 mm (con ribalte laterali speciali) 700 - 740 mm (con ribalte laterali standard) 750 - 1000 mm (con ribalte laterali speciali)
©	Larghezza vasca (interno)	≤ 420 mm (con adattatore di altezza, massimo + 60 mm)



Rischio di danni

- Controllare che le ventose siano montate correttamente.
- Controllare che la batteria nella pulsantiera sia carica.
- Quando si sollevano i componenti del sollevatore per vasca da bagno, ricordarsi di valutare correttamente i relativi pesi, fare riferimento a *10.1 Dimensioni e peso, pagina 117*.
- Se all'interno della vasca da bagno è montato un maniglione, utilizzare i deviatori delle ribalte laterali (disponibili come accessori).
- Pieghere le ribalte laterali verso l'esterno prima di ribaltare lo schienale.

1.

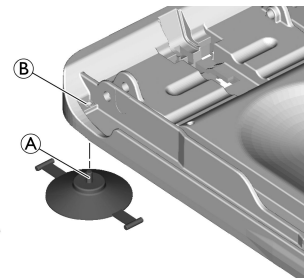


Fig. 4-2

Posizionare la ventosa con il bullone filettato (A) sul dado a manicotto (B) e avvitarlo.
Avvitare fino a che la ventosa è in linea con l'orientamento riportato sull'immagine.

2.

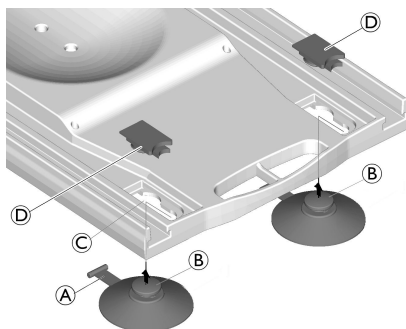


Fig. 4-3

Inserire **A** nel foro dell'asola **C** e posizionarlo nell'incavo corrispondente.

Far passare la ventosa **B** nel foro **C** e tirare la ventosa in avanti.

Fissare ventosa con il coperchio rosso **D**.

3.

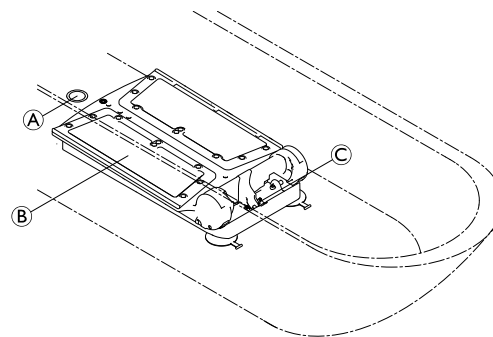


Fig. 4-4

Posizionare il sedile **B** sul fondo della vasca da bagno vuota. Assicurarsi che l'alloggiamento della base del mandrino **C** sia rivolto verso l'estremità della vasca da bagno opposta allo scarico **A**.

4.

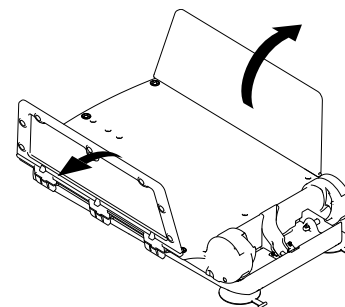


Fig. 4-5

Piegare le ribalte laterali del sedile verso l'esterno.

5.

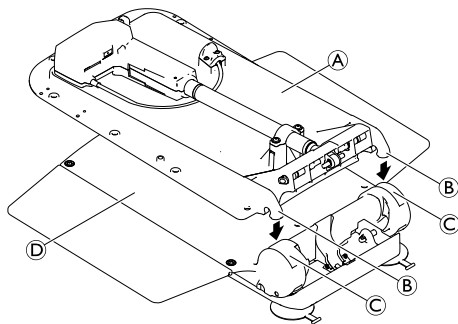


Fig. 4-6

Posizionare lo schienale **A** (senza la pulsantiera) sul sedile in modo tale che i ganci **B** dello schienale si inseriscano nelle cerniere **C** della piastra del sedile **D**.

6.



Rischio di danni

Danni al prodotto causati dalla fuoriuscita della base del mandrino.

- Prima di aprire lo schienale tirandolo verso l'alto, assicurarsi che il mandrino sia completamente rientrato e che la base del mandrino sia in piano e non sia storta.
- Quando lo schienale è aperto, verificare che la base del mandrino si trovi nel proprio alloggiamento.

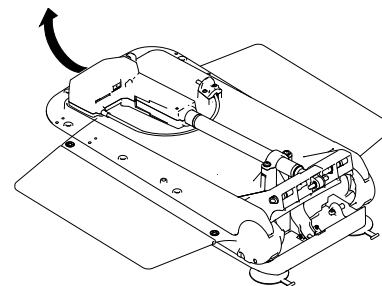


Fig. 4-7

Tenere lo schienale in corrispondenza del centro della testiera e sollevare lo schienale con cautela portandolo nella posizione finale.

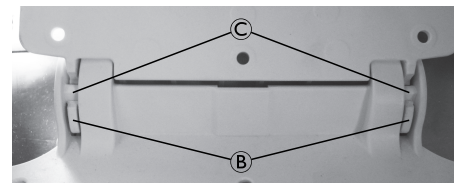
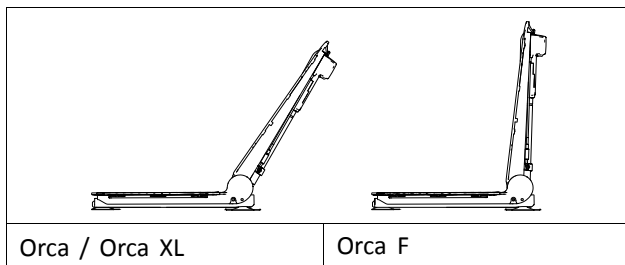


Fig. 4-8



Rischio di danni

- Danni al prodotto a causa del montaggio scorretto dello schienale
- Assicurarsi che entrambi i ganci **B** dello schienale siano innestati nelle cerniere **C** della piastra del sedile.
 - Assicurarsi che lo schienale possa essere ribaltato in avanti fino alla posizione finale senza dover applicare una forza o avvertire una resistenza rilevante. La posizione finale è indicata nell'immagine seguente.



7.

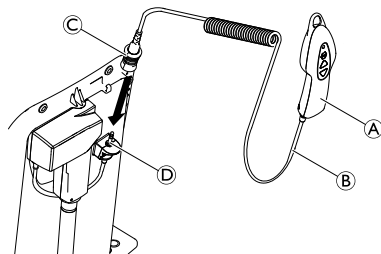


Fig. 4-9

Per collegare la pulsantiera **A** al sollevatore per vasca da bagno, collegare la presa a jack con il manicotto di sblocco **C** alla spina a jack **D** fino a far scattare il meccanismo di chiusura.



Rischio di danni

- Assicurarsi che lo schienale non tocchi il bordo della vasca.
- Se necessario, collocare il sollevatore per vasca da bagno più avanti nella vasca. Per collocare il sollevatore per vasca da bagno più avanti nella vasca, abbassare il sollevatore per vasca da bagno fino al fondo, allentare le ventose e poi spostare il sollevatore.

4.3 Batteria in carica

Il sollevatore per vasca da bagno non può essere usato durante il caricamento della batteria.



ATTENZIONE!

Rischio di scosse elettriche

- Ricaricare la batteria solo in ambienti asciutti a temperatura ambiente (da 15 °C a 25 °C) e mai nel bagno.



Rischio di danni

- Utilizzare esclusivamente il caricabatteria fornito per caricare la batteria nella pulsantiera.
- Collegare il caricabatteria alla rete elettrica solo quando la pulsantiera è collegata al caricabatteria.
- Assicurarsi che le specifiche di tensione indicate sul caricabatteria corrispondano a quelle della rete elettrica.

3. Scollegare il caricabatteria dalla presa di corrente.
4. Estrarre la spina a jack del caricabatteria dalla presa a jack della pulsantiera.

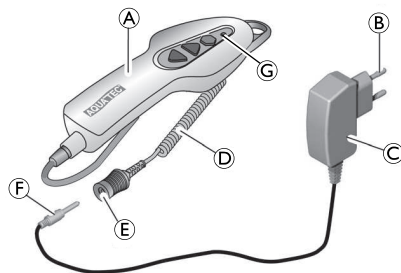


Fig. 4-10

1. Inserire la spina a jack (F) del caricabatteria (C) nella presa a jack (E) sul cavo a spirale (D) della pulsantiera (A) fino all'innesto.
2. Inserire la spina di alimentazione (B) del caricabatteria in una presa di corrente.



La spia rossa (G) della pulsantiera si spegne quando la batteria è completamente carica. Non è possibile sovraccaricare la batteria.

5 Uso

5.1 Informazioni per la sicurezza



AVVERTENZA!

Pericolo di lesioni o danni

L'umidità potrebbe penetrare in una pulsantiera danneggiata, con conseguente possibilità che si verifichino cortocircuiti e incendi.

- Prima di ogni utilizzo, effettuare sempre un controllo visivo per verificare che il prodotto non presenti danni esterni.
- Se l'alloggiamento della pulsantiera è danneggiato o presenta delle crepe, non utilizzare la pulsantiera.



AVVERTENZA!

Rischio di pizzicamento

- Non inserire le dita nella guida tra la piastra del sedile e lo schienale.
- Non mettere le mani sotto la piastra del sedile o tra le forbici di sollevamento.



Rischio di danni

Il sovraccarico del sollevatore per vasca da bagno può causare danni al dispositivo o impedire il sollevamento.

- Non sovraccaricare il sollevatore per vasca da bagno e rispettare le specifiche riguardanti la portata indicate sull'etichetta modello o fare riferimento a *10 Dati Tecnici, pagina 117*



Ricaricare la batteria regolarmente, fare riferimento a *3,4 Ricarica della batteria in 4 Messa in servizio, pagina 99*.



Per ulteriori informazioni sulle condizioni operative, fare riferimento a *10.4 Parametri ambientali, pagina 118*

5.2 Controllo del sollevatore per vasca da bagno

Il sollevatore per vasca da bagno può essere spostato nelle seguenti direzioni:



Fig. 5-1

Il sollevatore per vasca da bagno è controllato tramite la pulsantiera, sia dall'utilizzatore sia da un assistente.



Con una batteria completamente carica, i modelli ORCA e ORCA F sono in grado di eseguire 5 cicli di funzionamento con un carico di 140 kg. Il modello ORCA XL può eseguire 4 cicli di funzionamento con un carico di 170 kg.

- Ⓐ Pulsante di arresto di emergenza
- Ⓑ Pulsante su
- Ⓒ Pulsantiera
- Ⓓ Pulsante giù
- Ⓔ Spia

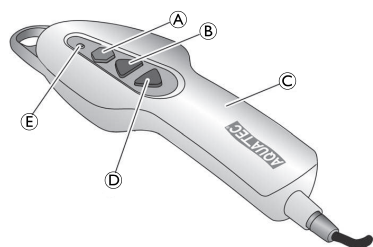


Fig. 5-2

! Rischio di danni

– La pulsantiera può essere utilizzata solo quando lo schienale è installato correttamente e in posizione verticale.

i Se la batteria della pulsantiera Ⓒ non è sufficientemente carica, la spia Ⓔ si accende quando viene premuto il pulsante Giù Ⓓ. In questo caso, la funzione di abbassamento del sollevatore per vasca da bagno è disattivata. Tuttavia, è possibile continuare ad alzare il sollevatore.

1. Ricaricare la batteria subito dopo il sollevamento del sollevatore per vasca da bagno.

Sollevamento del sollevatore per vasca da bagno

i Se lo schienale viene abbassato, prima si sposta in posizione verticale (non sul modello ORCA F).

1. Premere il pulsante Su Ⓑ della pulsantiera e tenerlo premuto.
Lo schienale si sposta in posizione verticale o il sedile si sposta verso l'alto.
2. Rilasciare il pulsante Su della pulsantiera.
Il sollevatore per vasca da bagno si ferma nella posizione corrente.

Abbassamento del sollevatore per vasca da bagno

i Se il sedile è già abbassato, lo schienale si abbassa verso il retro (non sul modello ORCA F).

1. Premere il pulsante Giù Ⓓ della pulsantiera e tenerlo premuto.
Il sedile si sposta verso il basso oppure lo schienale si inclina all'indietro.
2. Rilasciare il pulsante Giù della pulsantiera.
Il sollevatore per vasca da bagno si ferma nella posizione corrente.

Pulsante di arresto di emergenza

! Rischio di danni

Premere il pulsante di arresto di emergenza Ⓐ solo se il dispositivo non si ferma immediatamente quando viene rilasciato il pulsante Su o Giù (ad esempio se un pulsante si blocca). Il sollevatore per vasca da bagno si arresta immediatamente e la spia sulla pulsantiera si accende.

Se la spia rossa si spegne dopo che il pulsante di arresto di emergenza viene rilasciato, il guasto è stato riparato (ad esempio, il pulsante viene nuovamente rilasciato). Il dispositivo è nuovamente pronto per l'uso.

Se la spia rossa rimane accesa dopo che il pulsante di arresto di emergenza viene rilasciato, il guasto non è ancora stato riparato. Il dispositivo non è pronto per l'uso e deve essere riparato, ad esempio in caso di danno elettronico.

 Se necessario, rivolgersi al proprio fornitore.

5.3 Utilizzo mentre si fa il bagno



ATTENZIONE! **Rischio di scivolamento**

Il sollevatore per vasca da bagno può scivolare se le ventose non hanno una buona tenuta.

- Prima di utilizzare il sollevatore per vasca da bagno, assicurarsi che sia posizionato in modo sicuro e che non possa ribaltarsi.
- Assicurarsi che il sollevatore per vasca da bagno sia posto in una vasca da bagno dalle dimensioni corrette, fare riferimento a *4.2 Installazione del sollevatore per vasca da bagno, pagina 99*.



ATTENZIONE!

Pericolo di lesioni

- Se le condizioni dell'utilizzatore non permettono di fare il bagno da soli, utilizzare il dispositivo solo con la supervisione di un'altra persona.
- Se si aziona il dispositivo senza supervisione, assicurarsi di tenere a portata di mano un sistema di allarme o un telefono in caso di imprevisti (ad esempio malfunzionamenti).
- Prima dell'uso, controllare la temperatura dell'acqua del bagno.



Rischio di danni

- Oli o sali da bagno possono compromettere le prestazioni delle forbici di sollevamento.
- In caso di utilizzo di tali additivi da bagno, non superare la dose consigliata.



Portare il sollevatore senza carico una volta nella posizione superiore e poi nuovamente nella posizione inferiore (test di funzionamento).

1. Premere e tenere premuto il pulsante Su fino a quando il sedile è a livello del bordo della vasca da bagno.
2. Assicurarsi che le ribalte laterali siano a livello con la piastra del sedile e poggino in piano sul bordo della vasca da bagno (posizione iniziale).
3. Riempire d'acqua la vasca da bagno.
4. Sedersi sulla ribalta laterale più vicina a se stessi come si farebbe su una sedia.
5. Scivolare all'indietro fino a quando non si è seduti al centro del sedile.

6. Girarsi nella posizione adatta per fare il bagno, sollevando una gamba e poi l'altra sopra il bordo della vasca.
7. Una volta seduti correttamente, premere e tenere premuto il pulsante Giù per abbassare il sedile all'interno della vasca da bagno.



Quando il sedile ha raggiunto la posizione più bassa, è possibile reclinare lo schienale continuando a tenere premuto il pulsante Giù. Questo consente di adottare una posizione più comoda per fare il bagno e permette di immergersi più in profondità nell'acqua della vasca (non presente sul modello ORCA F).

8. Tenere premuto il pulsante Giù fino a quando lo schienale non ha raggiunto la posizione desiderata.



Per uscire dalla vasca da bagno, seguire gli stessi passaggi nell'ordine inverso.

9. Per sollevare lo schienale o il sollevatore per vasca da bagno, premere e tenere premuto il pulsante Su fino a quando il sedile è a livello del bordo della vasca da bagno.



Rischio di danni

- – Scollegare la pulsantiera dal dispositivo quando il sollevatore per vasca da bagno non è in uso, fare riferimento a *6.2 Rimozione del sollevatore per vasca da bagno, pagina 109* passaggio 3.

6 Trasporto

6.1 Informazioni per la sicurezza



Rischio di danni

- Lo schienale non è bloccato sul sedile quando viene ribaltato e può staccarsi.

1. Rimuovere la pulsantiera.
2. Smontare il sollevatore per vasca da bagno in due parti per il trasporto (telaio della base con piastra del sedile e schienale), fare riferimento a *6.2 Rimozione del sollevatore per vasca da bagno, pagina 109*



Rischio di danni

- Non rimuovere le ventose quando si trasporta il sollevatore per vasca da bagno.
- Fare riferimento alle condizioni di conservazione e di trasporto riportate nella sezione *10.4 Parametri ambientali, pagina 118*

6.2 Rimozione del sollevatore per vasca da bagno

1. Scaricare l'acqua presente nella vasca da bagno.
2. Abbassare il sollevatore per vasca da bagno premendo il pulsante Giù finché lo schienale non si arresta nella posizione abbassata finale, fare riferimento a *5.2 Controllo del sollevatore per vasca da bagno, pagina 105*
3. Sbloccare la presa a jack sul cavo a spirale della pulsantiera spingendo verso l'alto il manicotto di sblocco ed estrarla dalla spina a jack.

4.

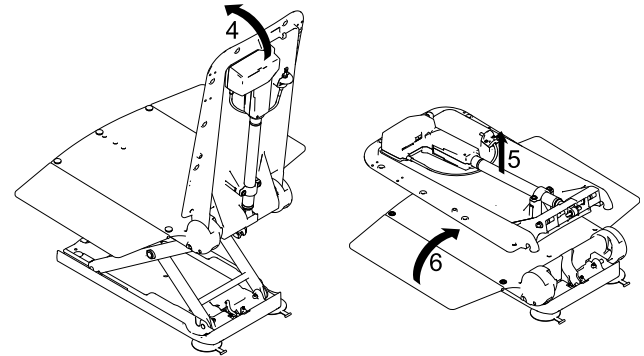


Fig. 6-1

Tenere lo schienale in corrispondenza della testiera con una mano e ribaltare lo schienale in avanti nella posizione finale.



Rischio di danni

- Non chiudere lo schienale se nella vasca da bagno è presente dell'acqua.
- Prima di chiudere lo schienale, verificare che sia completamente nella posizione abbassata.
- Quando si ribalta lo schienale in basso, assicurarsi che il cavo a spirale della pulsantiera non resti intrappolato.

5. Estrarre lo schienale dal sedile tirandolo verso l'alto e sollevarlo dalla vasca.
6. Piegarle le ribalte laterali del sedile verso l'interno.

7.

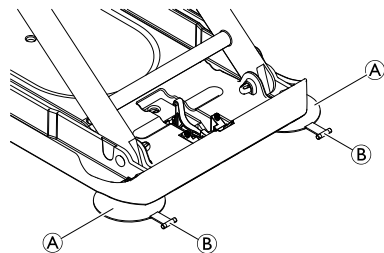




Fig. 6-2


Rilasciare le ventose posteriori ① tirando verso l'alto le linguette sporgenti ②.

 Rilasciare contemporaneamente entrambe le ventose posteriori.

8. Sollevare leggermente la parte posteriore del sedile. In questo modo vengono rilasciate le ventose anteriori.

 Se sono stati installati gli adattatori di altezza (opzionali), è necessario tirare anche le linguette delle ventose anteriori per rilasciarle.

9. Estrarre dalla vasca da bagno il telaio della base con la piastra del sedile.

 Assicurarsi che tutte le ventose siano staccate prima di estrarre il sedile dalla vasca da bagno.

10. Conservare con cura tutti i componenti del sollevatore per vasca da bagno.

7 Manutenzione

7.1 Manutenzione e ispezione

L'osservanza delle note per la pulizia e la sicurezza rende il prodotto esente da manutenzione.



Rischio di danni

La pulsantiera può essere aperta solo dal produttore del sollevatore per vasca da bagno.

1. Controllare regolarmente che il prodotto non sia danneggiato e assicurarsi che sia assemblato in modo sicuro.
2. In caso di danni e/o necessità di riparazioni, contattare immediatamente il rivenditore.
3. Il sollevatore per vasca da bagno deve essere sempre controllato da un fornitore autorizzato prima del riutilizzo. Si raccomanda di controllare il sollevatore per vasca da bagno al più tardi dopo 24 mesi (in conformità con DIN EN ISO 10535).
4. Se il sollevatore per vasca da bagno non viene utilizzato per un periodo prolungato, caricare completamente la batteria, quindi alzare e abbassare il sollevatore per vasca da bagno 3 volte senza carico. Ripetere questo procedimento ogni 3 mesi. Questo aiuta a prolungare la durata della batteria.

7.2 Pulizia e disinfezione

7.2.1 Informazioni generali sulla sicurezza



AVVERTENZA!

Rischio di contaminazione

- Adottare opportune precauzioni per la propria protezione e utilizzare un'attrezzatura protettiva adeguata.



AVVERTENZA!

Rischio di scosse elettriche e danni al prodotto

- Spegnerne il dispositivo e scollegarlo dall'alimentazione, se è collegato.
- Durante la pulizia di componenti elettronici, considerare la loro classe di protezione contro l'ingresso di acqua.
- Assicurarsi che la spina e la presa di corrente a muro non siano esposte agli schizzi d'acqua.
- Non toccare la presa di corrente con le mani bagnate.

! **IMPORTANTE!**

- Liquidi inappropriati o metodi errati potrebbero danneggiare il prodotto.
- Tutti i prodotti detergenti e disinfettanti utilizzati devono essere efficaci, compatibili tra loro e devono proteggere i materiali su cui vengono utilizzati durante la pulizia.
 - Non utilizzare mai liquidi corrosivi (sostanze alcaline, acidi, ecc.) o detergenti abrasivi. Si consiglia di utilizzare un normale prodotto detergente per la casa, come un detersivo liquido per i piatti, a meno che non siano state fornite indicazioni diverse nelle istruzioni di pulizia.
 - Non utilizzare mai solventi (diluente per cellulosa, acetone, ecc.) che modificano la struttura della plastica o che sciolgono le etichette applicate.
 - Prima di utilizzare il prodotto, assicurarsi sempre che sia completamente asciutto.



Per la pulizia e la disinfezione in ambienti clinici o di assistenza a lungo termine, seguire le procedure interne della struttura.

7.2.2 Intervalli di pulizia**!** **IMPORTANTE!**

- La pulizia e la disinfezione regolari consentono di assicurare il regolare e buon funzionamento, aumentare la durata e prevenire la contaminazione.
- Pulire e disinfettare regolarmente il prodotto.
- durante l'uso,
 - prima e dopo qualsiasi procedura di manutenzione,
 - in caso di contatto con liquidi biologici,
 - prima dell'uso per un nuovo utilizzatore.

7.2.3 Istruzioni per la pulizia

Il prodotto può essere pulito con prodotti disponibili in commercio.

Pulizia del sedile e dello schienale**AVVERTENZA!****Rischio di pizzicamento**

- Prestare particolare attenzione durante la pulizia nell'area delle forbici di sollevamento, in quanto possono muoversi e provocare lesioni.


**Rischio di danni**

- Non usare mai un sistema di pulizia ad alta pressione per pulire lo schienale.

1. Lavare il prodotto con un panno o una spazzola.
2. Risciacquare il prodotto con acqua calda.

3. Asciugare il prodotto con un panno.
4. Lubrificare leggermente la guida del pattino scorrevole (fare riferimento alla Fig. 3.1, callout ⓘ nel capitolo 3.3 *Componenti, pagina 97*) utilizzando vaselina.

Pulizia dei rivestimenti (opzionale)

 Si raccomanda di lavare i rivestimenti prima del primo utilizzo. Per motivi igienici si raccomanda di pulire regolarmente i rivestimenti e di sostituirli ogni anno.

1. Sbottonare i rivestimenti dal sedile e dallo schienale.
2. Lavare i rivestimenti in lavatrice con detergente delicato a una temperatura massima di 60 °C.



Rischio di danni

- Un lavaggio a temperature elevate può provocare danni o restringimenti del rivestimento.
- Non asciugare i rivestimenti nell'asciugabiancheria.

Pulizia del caricabatteria e della pulsantiera



ATTENZIONE!

Rischio di scosse elettriche

- Scollegare sempre la spina dalla presa di corrente prima di pulire il caricabatteria.
- Non inserire mai oggetti di materiale conduttivo (ad esempio, ferri da maglia, perni metallici) nella presa a jack della pulsantiera.
- Non usare mai un panno bagnato o umido per pulire il caricabatteria.

1. Pulire il caricabatteria con un panno asciutto.
2. La pulsantiera può essere pulita con un panno umido.
3. Usare un panno asciutto per asciugare la pulsantiera.

7.2.4 Istruzioni per la disinfezione



Informazioni sui disinfettanti e i metodi consigliati sono disponibili all'indirizzo <https://vah-online.de/en/for-users>.

Nell'assistenza domestica

Metodo: Seguire le note applicative per il disinfettante utilizzato e disinfettare con una salvietta tutte le superfici accessibili.

Disinfettante: normale disinfettante per la casa.

Asciugatura: Lasciare asciugare il prodotto all'aria.

Assistenza in ambiente clinico e a lungo termine

Seguire le procedure di disinfezione interne e utilizzare solo i disinfettanti e i metodi ivi specificati.

8 Dopo l'utilizzo

8.1 Conservazione



Rischio di danni

- Non riporre il prodotto vicino a fonti di calore.
- Non conservare la batteria in prossimità di fiamme libere.
- Non esporre il prodotto alla luce diretta del sole.
- Fare riferimento alle condizioni di conservazione e di trasporto riportate nella sezione *10.4 Parametri ambientali, pagina 118*

8.2 Ricondizionamento

Questo prodotto è adatto per il riutilizzo. Per il ricondizionamento del prodotto per un nuovo utilizzatore, intraprendere le azioni seguenti:

- Ispezione
- Pulizia e disinfezione

Per informazioni dettagliate, fare riferimento al paragrafo *7 Manutenzione, pagina 111* e al manuale per la manutenzione di questo prodotto.

Assicurarsi che il manuale d'uso venga sempre consegnato insieme al prodotto.

Se si riscontrano danni o malfunzionamenti, non riutilizzare il prodotto.

8.3 Smaltimento



ATTENZIONE!

Pericolo per l'ambiente

- Il dispositivo contiene batterie.
Il prodotto può contenere sostanze potenzialmente pericolose per l'ambiente se smaltite in luoghi (discariche) non conformi alla normativa in vigore.
- NON smaltire le batterie come normali rifiuti domestici.
 - NON gettare le batterie nel fuoco.
 - Le batterie DEVONO essere conferite in un sito di smaltimento idoneo. La loro restituzione è obbligatoria per legge e gratuita.
 - Smaltire esclusivamente batterie scariche.
 - Coprire i terminali delle batterie al litio prima dello smaltimento.
 - Per ulteriori informazioni sul tipo di batteria, vedere l'etichetta delle batterie o consultare la sezione *10 Dati Tecnici, pagina 117*

Rispettare l'ambiente e riciclare il prodotto attraverso un centro di riciclaggio locale al termine del suo utilizzo.

Smontare il prodotto e i relativi componenti, in modo che i differenti materiali possano essere staccati e riciclati singolarmente.

Lo smaltimento e il riciclaggio dei prodotti usati e degli imballaggi devono essere eseguiti nel rispetto delle leggi e delle normative in materia di gestione dei rifiuti vigenti in ciascun paese. Per ulteriori informazioni, contattare la propria azienda di raccolta rifiuti locale.

9 Guida alla soluzione dei problemi

9.1 Identificazione e riparazione dei guasti



La tabella seguente fornisce informazioni sui malfunzionamenti e sulle possibili cause. Qualora non fosse possibile correggere il malfunzionamento mediante i rimedi indicati, contattare direttamente il proprio fornitore.

Guasto	Causa possibile	Soluzione
Non si sente alcun rumore del motore / il sollevatore non si muove.	La presa a jack della pulsantiera non è innestata correttamente.	Innestare la presa a jack, → <i>4.2 Installazione del sollevatore per vasca da bagno, pagina 99.</i>
	La batteria è scarica.	Ricaricare completamente la batteria, → <i>4.3 Batteria in carica, pagina 103</i>
	I contatti sono sporchi.	Pulire il connettore sullo schienale, se necessario, contattare il proprio fornitore.
	Il cavo è schiacciato/danneggiato.	Sostituire la pulsantiera, se necessario, contattare il proprio fornitore.
Il sollevatore può essere sollevato, ma non abbassato.	La protezione a bassa tensione è attivata.	Ricaricare completamente la batteria, → <i>4.3 Batteria in carica, pagina 103</i>
Il sollevatore si ferma mentre viene sollevato.	Carico eccessivo.	Rispettare il carico massimo, → <i>10.1 Dimensioni e peso, pagina 117</i>
Il sollevatore per vasca da bagno non aderisce saldamente alla vasca da bagno.	Le ventose sono vecchie o danneggiate.	Sostituire le ventose, se necessario, contattare il proprio fornitore.

Guasto	Causa possibile	Soluzione
La batteria non si carica e la spia rossa lampeggia durante la carica	Componenti elettronici difettosi.	Far controllare la pulsantiera dal proprio fornitore autorizzato.
	Batteria difettosa.	Sostituire la pulsantiera.
	Caricabatteria difettoso.	Far controllare il caricabatteria dal proprio fornitore autorizzato.
	La batteria è troppo calda.	Non caricare la pulsantiera vicino a fonti di calore, ad esempio, termosifoni, luce diretta del sole. La carica continua automaticamente quando la temperatura scende ai limiti ammissibili.

10 Dati Tecnici

10.1 Dimensioni e peso

Lunghezza totale alla posizione più bassa	920 mm
Lunghezza totale alla posizione più alta	650 mm
Altezza totale alla posizione più alta	1075 mm
Lunghezza del sedile	590 mm
Larghezza sedile con ribalte laterali piegate verso l'esterno	715 mm
Larghezza sedile con ribalte laterali piegate verso l'interno	390 mm
Altezza sedile alla posizione più bassa	60 mm
Altezza sedile alla posizione più alta	420 mm
Larghezza dello schienale	360 mm
Massima inclinazione dello schienale	8°
Larghezza piastra di base	295 mm
Carico massimo (ORCA / ORCA F) Carico massimo (ORCA XL)	140 kg 170 kg
Peso totale senza pulsantiera (ORCA) (ORCA F) (ORCA XL)	10,8 kg 11,4 kg 11,6 kg
Peso del sedile (ORCA) (ORCA F) (ORCA XL)	6,6 kg 7,2 kg 7,4 kg

Peso dello schienale (ORCA / ORCA F / ORCA XL)	4,2 kg
Peso della pulsantiera	0,4 kg
Peso del caricabatteria	0,1 kg

10.2 Dati elettronici

Forza di attivazione per i pulsanti della pulsantiera	< 5 N
Tensione di esercizio della pulsantiera ¹⁾	11,1 V c.c./10,95 V c.c./10,8 V c.c.
Potenza di ingresso nominale ¹⁾	44 VA / 43 VA
Corrente nominale	4 A
Tipo di batteria	Agli ioni di litio
Ingresso caricabatteria	100 - 240 V c.a., 50 - 60 Hz
Uscita caricabatteria	24 V c.c., 135 mA, 3 VA
Tempo di carica da avviso bassa tensione	Circa 4.5 h
Tipo di protezione, azionamento	IP X6 W ²⁾
Tipo di protezione, pulsantiera	IP 67 ³⁾

Tipo di protezione, intero dispositivo	IP X6 ⁴⁾
Livello di potenza sonora	52 dB(A)

L'attuatore non si spegne quando il prodotto è sovraccarico. Non sovraccaricare il sollevatore per vasca da bagno per evitare danni.

¹⁾ 11,1 V c.c./44 VA in caso di utilizzo di pulsantiera con tensione pari a 11,1 V, come indicato sul retro della pulsantiera.

10,95 V c.c./44 VA in caso di utilizzo di pulsantiera con tensione pari a 10,95 V, come indicato sul retro della pulsantiera.

10,8 V~/43 VA in caso di utilizzo di pulsantiera con tensione pari a 10,8 V, come indicato sul retro della pulsantiera.

²⁾ Protetto contro la penetrazione di acqua in caso di forti getti di acqua, testato in condizioni meteorologiche convenzionali.

³⁾ Protetto contro la polvere e contro la penetrazione di acqua durante l'immersione temporanea.

⁴⁾ Protetto dalla penetrazione di acqua in caso di forti getti d'acqua.

10.3 Materiali

Schienale	PPGF
Piastra del sedile	PPGF
Rivestimenti	PVC



Tutti i materiali utilizzati sono resistenti alla corrosione e privi di lattice.

10.4 Parametri ambientali

Condizioni di funzionamento	
Temperatura ambiente	10 - 40 °C
Umidità relativa	15% - 93% non condensante
Pressione atmosferica	795 - 1060 hPa
Condizioni di conservazione e di trasporto	
Temperatura ambiente	0 - 40 °C
Umidità relativa	30% - 75% non condensante
Pressione atmosferica	795 - 1060 hPa

Contenido

Este manual DEBE ser entregado al usuario final. ANTES de usar este producto lea este manual y guárdelo para futuras referencias.

1 Generalidades	.120
1.1 Introducción	.120
1.2 Símbolos en este manual	.120
1.3 Garantía	.120
1.4 Cumplimiento	.121
1.4.1 Normas específicas del producto	.121
1.5 Vida útil	.121
1.6 Limitación de responsabilidad	.121
2 Seguridad	.122
2.1 Información de seguridad	.122
2.2 Información de seguridad sobre compatibilidad electromagnética	.123
2.3 Etiquetas y símbolos en el producto	.124
3 Descripción del producto	.125
3.1 Descripción del producto	.125
3.2 Uso previsto	.125
3.3 Componentes	.125
4 Instalación	.127
4.1 Información de seguridad	.127
4.2 Ajuste del elevador de bañera	.127
4.3 Carga de la batería	.131
5 Utilización	.132
5.1 Información de seguridad	.132
5.2 Control del elevador de bañera	.132
5.3 Bañarse	.134
6 Transporte	.136
6.1 Información sobre seguridad	.136
6.2 Desmontaje del elevador de bañera	.136

7 Mantenimiento	.138
7.1 Mantenimiento e inspección	.138
7.2 Limpieza y desinfección	.138
7.2.1 Información general de seguridad	.138
7.2.2 Intervalos de limpieza	.139
7.2.3 Instrucciones de limpieza	.139
7.2.4 Instrucciones de desinfección	.140
8 Después del uso	.141
8.1 Almacenamiento	.141
8.2 Reacondicionamiento	.141
8.3 Eliminación	.141
9 Solución de problemas	.142
9.1 Identificación y reparación de fallos	.142
10 Datos Técnicos	.144
10.1 Dimensiones y peso	.144
10.2 Datos electrónicos	.144
10.3 Materiales	.145
10.4 Parámetros medioambientales	.145

1 Generalidades

1.1 Introducción

Este manual del usuario contiene información importante sobre la manipulación del producto. Para garantizar su seguridad al utilizar el producto, lea detenidamente el manual del usuario y siga las instrucciones de seguridad.

Tenga en cuenta que puede haber secciones que no sean relevantes para su producto, ya que este documento se aplica a todos los modelos disponibles (en la fecha de impresión). A no ser que se indique lo contrario, cada una de las secciones de este documento hace referencia a todos los modelos del producto.

Los modelos y las configuraciones disponibles en su país pueden encontrarse en los documentos de venta específicos del país.

Invacare se reserva el derecho a modificar las especificaciones del producto sin previo aviso.

Antes de leer este documento, asegúrese de contar con la versión más reciente. Podrá encontrarla en formato PDF en el sitio web de Invacare.

Si la versión impresa del documento tiene un tamaño de letra que le resulta difícil de leer, podrá descargarlo en formato PDF en el sitio web. Podrá ampliar el PDF en pantalla a un tamaño de letra que le resulte más cómodo.

Para obtener más información sobre el producto (por ejemplo, avisos de seguridad y retiradas de productos), póngase en contacto con su representante de Invacare. Consulte las direcciones al final de este documento.

En caso de un accidente grave con el producto, informe al fabricante y a las autoridades competentes de su país.

1.2 Símbolos en este manual

En este manual se utilizan símbolos y señales que hacen referencia a peligros o usos poco seguros que pueden provocar lesiones o daños a la propiedad. A continuación, se muestran las descripciones de estos símbolos.



ADVERTENCIA

Indica una situación peligrosa que, si no se evita, podría tener como consecuencia la muerte o lesiones graves.



PRECAUCIÓN

Indica una situación peligrosa que, si no se evita, podría tener como consecuencia lesiones menos graves.



IMPORTANTE

Indica una situación peligrosa que, si no se evita, podría tener como consecuencia daños a la propiedad.



Consejos y recomendaciones

Proporciona consejos útiles, recomendaciones e información para un uso eficiente y sin problemas.

1.3 Garantía

Ofrecemos la garantía del fabricante del producto conforme a nuestras Condiciones generales y Condiciones comerciales en los distintos países. Las reclamaciones relativas a la

garantía solo pueden efectuarse a través del proveedor en el que se adquirió el aparato.

Las fundas y las ventosas no están incluidas en esta garantía.

1.4 Cumplimiento

La calidad es fundamental para el funcionamiento de nuestra empresa, que trabaja conforme a las normas ISO 13485.

Este producto lleva la marca CE, en cumplimiento con el Reglamento 2017/745 sobre productos sanitarios de clase 1. La fecha de lanzamiento de este producto figura en la declaración de conformidad CE.

Trabajamos continuamente para garantizar que se reduzca al mínimo el impacto medioambiental de la empresa, tanto a nivel local como global.

Solo utilizamos materiales y componentes que cumplen con el reglamento REACH.

Cumplimos con las leyes medioambientales RAEE y RoHS actuales.

1.4.1 Normas específicas del producto

El producto cumple con los requisitos de la norma DIN EN ISO 10535 (Grúas para el traslado de personas con discapacidad).

Para obtener más información, póngase en contacto con Invacare en su país (las direcciones de contacto se incluyen al final de este documento).

1.5 Vida útil

La vida útil prevista para este producto es de cinco años, siempre y cuando se utilice diariamente y de conformidad

1574469-D

con las instrucciones de seguridad, se respeten los intervalos de mantenimiento y se utilice correctamente según lo establecido en este manual. La vida útil real puede variar en función de la frecuencia y la intensidad del uso.

1.6 Limitación de responsabilidad

Invacare no se hace responsable de los daños surgidos por:

- Incumplimiento del manual del usuario
- Uso incorrecto
- Desgaste natural
- Montaje o instalación incorrectos por parte del comprador o de terceros
- Modificaciones técnicas
- Modificaciones no autorizadas y/o uso de recambios inadecuados

2 Seguridad

2.1 Información de seguridad



¡ADVERTENCIA!

Riesgo de daños o lesiones graves

Un uso incorrecto de este producto puede provocar lesiones o daños.

- Si tiene alguna duda relacionada con las advertencias, precauciones o instrucciones, póngase en contacto con un profesional sanitario o con su proveedor antes de intentar utilizar este equipo.
- No utilice este producto ni cualquier otro equipo opcional disponible sin antes haber leído y comprendido estas instrucciones y cualquier otro material informativo adicional, como el manual del usuario, manuales de servicio u hojas de instrucciones proporcionados con este producto o equipo opcional.



¡ADVERTENCIA!

Riesgo de lesiones

- No utilice el producto si está defectuoso.
- En caso de producirse un fallo en el funcionamiento, póngase en contacto con su proveedor inmediatamente.
- No realice ningún cambio ni modificación en el producto sin autorización.
- No se suba sobre el elevador de bañera para entrar o salir de la misma y no la use para subir o bajar, como plataforma de elevación ni con ningún propósito similar.



¡ADVERTENCIA!

- Antes de utilizarlo por primera vez, limpie a fondo el producto.
- Antes de cada uso, compruebe que el producto no esté dañado y asegúrese de que esté montado de forma segura.

**¡PRECAUCIÓN!****Riesgo de lesiones**

El uso de piezas incorrectas o que no sean originales puede afectar el funcionamiento y la seguridad del producto.

- Utilice solo piezas originales para usar el producto.
- Debido a las diferencias regionales, consulte el sitio web o el catálogo local de Invacare para ver las opciones disponibles o póngase en contacto con el representante local de Invacare. Consulte las direcciones al final de este documento.

2.2 Información de seguridad sobre compatibilidad electromagnética

**¡ADVERTENCIA!****Riesgo de funcionamiento incorrecto debido a interferencias electromagnéticas**

Las interferencias electromagnéticas entre este producto y otros equipos eléctricos pueden interferir con las funciones de ajuste eléctrico de este producto. Para evitar, reducir o eliminar dichas interferencias electromagnéticas:

- Utilice únicamente cables, accesorios y recambios originales, no aumente la emisión electromagnética ni reduzca la inmunidad electromagnética de este producto.
- No utilice equipos de comunicaciones por radiofrecuencia (RF) portátiles a menos de 30 cm de cualquiera de las piezas de este producto (incluidos los cables).
- No utilice este producto cerca de un equipo quirúrgico de alta frecuencia que esté activo ni de una sala blindada contra señales de radiofrecuencia para la realización de resonancias magnéticas, donde la intensidad de las interferencias electromagnéticas es elevada.
- Si se producen interferencias, aumente la distancia entre este producto y el otro equipo o apáguelo.



¡ADVERTENCIA!

Riesgo de funcionamiento incorrecto

Las interferencias electromagnéticas pueden afectar al funcionamiento.

- No utilice este producto cerca de otros equipos eléctricos ni encima de ellos. Si no es posible separarlos, debe observarlos detenidamente para asegurarse de que funcionan normalmente.

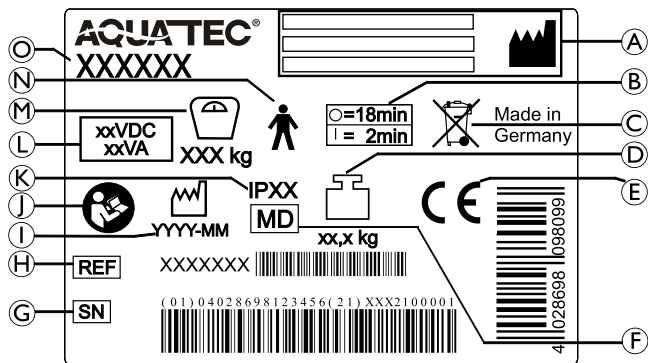


No tenemos constancia de ningún riesgo al utilizar productos como un marcapasos.

2.3 Etiquetas y símbolos en el producto

Etiqueta de identificación

La etiqueta de identificación incluye información importante:



Ⓐ	Fabricante y dirección del fabricante
Ⓑ	Intervalo de uso (no se permite el funcionamiento continuo del motor): máx. 2 minutos de uso continuo, seguido de una pausa de 18 minutos
Ⓒ	Nota (eliminación)
Ⓓ	Peso del producto
Ⓔ	Conformidad europea
Ⓕ	Producto sanitario
Ⓖ	Número de serie
Ⓗ	Referencia de producto
Ⓘ	Fecha de fabricación
Ⓙ	Lea el manual del usuario
Ⓚ	Tipo de protección
Ⓛ	Tensión nominal/potencia nominal, consulte <i>10 Datos Técnicos, página 144</i>
Ⓜ	Peso máximo de usuario
Ⓝ	Pieza aplicada de Tipo B
Ⓞ	Nombre del producto



La etiqueta de identificación se coloca en la parte trasera del respaldo.

3 Descripción del producto

3.1 Descripción del producto

Aquatec ORCA, ORCA F y ORCA XL son elevadores de bañera accionados con batería y que proporcionan ayuda para entrar o salir de una bañera. Se compone de una placa del asiento (con laterales integrados) con superficie antideslizante.

ORCA y ORCA XL tienen un respaldo rígido que se puede bajar mediante un mando a distancia. ORCA F tiene un respaldo fijo. Todos los modelos disponen, como opción, la funda de asiento y de respaldo..

Todos los modelos incluyen un mando a distancia que controla la subida o bajada del asiento.

El respaldo se puede equipar con laterales para aumentar el soporte y la seguridad.

3.2 Uso previsto

Aquatec ORCA, ORCA F y ORCA XL están indicados para utilizarse como ayuda a la hora de entrar o salir de una bañera de forma segura y sin esfuerzo.

Usuarios previstos

Los usuarios son personas con movilidad restringida o limitada (por ejemplo piernas y/o caderas). Si se utiliza sin un ayudante, el usuario debe ser capaz de mantener su propio equilibrio.

Indicaciones

- Movilidad restringida o limitada (por ejemplo, piernas y/o caderas) o

- problemas de equilibrio para ponerse en pie o caminar debido a discapacidades transitorias o permanentes.

Contraindicaciones

No existen contraindicaciones conocidas cuando el producto se utiliza del modo previsto.

El peso máximo del usuario es:

- 140 kg (ORCA / ORCA F)
- 170 kg (ORCA XL)

3.3 Componentes

Los siguientes componentes se incluyen con la entrega:

Mando y cargador

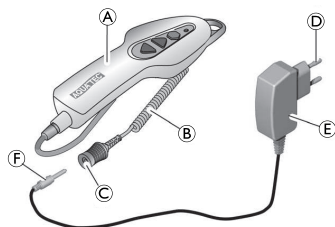


Fig. 3-1

- Ⓐ Mando con batería
- Ⓑ Cable espiral
- Ⓒ Jack hembra
- Ⓓ Enchufe de red
- Ⓔ Cargador
- Ⓕ Clavija jack

Asiento

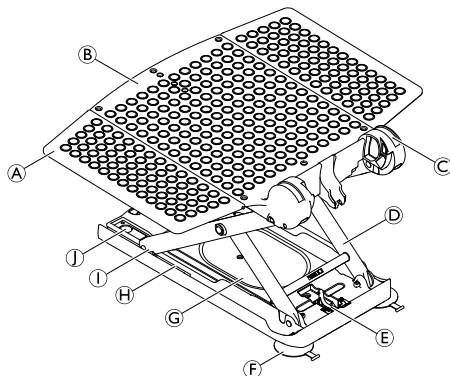


Fig. 3-2

- Ⓐ Solapa lateral
- Ⓑ Placa de asiento
- Ⓒ Enganche del respaldo
- Ⓓ Cruceta de elevación tipo tijera
- Ⓔ Alojamiento del pie del husillo
- Ⓕ Ventosas traseras (con rosca)
- Ⓖ Placa base
- Ⓗ Guía de la zapata de deslizamiento
- Ⓘ Zapata de deslizamiento
- Ⓝ Ventosas delanteras (una lengüeta con cabezal)

Respaldo

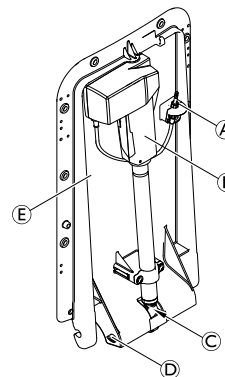


Fig. 3-3

- Ⓐ Clavija jack
- Ⓑ Accionamiento
- Ⓒ Pie del husillo
- Ⓓ Pasador de bloqueo
- Ⓔ Placa del respaldo

4 Instalación

4.1 Información de seguridad



Riesgo de daños

- Compruebe todas las piezas antes del uso por si presentan daños debidos al transporte. Póngase en contacto con su proveedor, si es necesario.
- Durante el montaje, compruebe que las piezas estén correctamente colocadas unas con respecto a las otras.
- Se recomienda lavar las fundas antes de usarlas por primera vez, consulte 7.2 *Limpieza y desinfección*, página 138

4.2 Ajuste del elevador de bañera



¡ADVERTENCIA!

Riesgo de deslizamiento

- El elevador de bañera puede deslizarse si las ventosas no tienen un agarre óptimo.
- Limpie la bañera y las ventosas con un paño húmedo antes de ajustar el elevador de bañera.
 - Una vez ajustado, no cambie la posición del elevador de bañera dentro de la misma.



¡ADVERTENCIA!

Riesgo de lesiones y daños

- Coloque el elevador de bañera solamente en bañeras que cumplan con las especificaciones de la tabla a continuación.
- Si se produce un desbordamiento lateral en la bañera, utilice los laterales especiales (disponibles como accesorio).

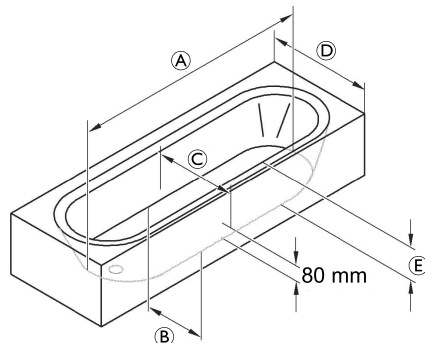


Fig. 4-1

(A)	Longitud de la bañera, fondo	≥ 800 mm
(B)	Anchura de la bañera, fondo (interior)	≥ 280 mm
(C)	Anchura de la bañera, a 80 mm de altura (interior)	≥ 430 mm

D	Anchura de la bañera (exterior)	580 - 690 mm (con laterales especiales) 700 - 740 mm (con laterales estándar) 750 - 1000 mm (con laterales especiales)
E	Altura de la bañera (interior)	≤ 420 mm (con adaptador de altura, máx. + 60 mm)

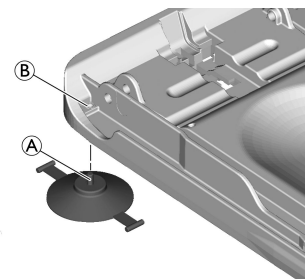


Fig. 4-2

Coloque la ventosa trasera con el tornillo A en la tuerca de manguito B y atorníllela. Atornille hasta que la ventosa se ajuste a la orientación del gráfico.

2.

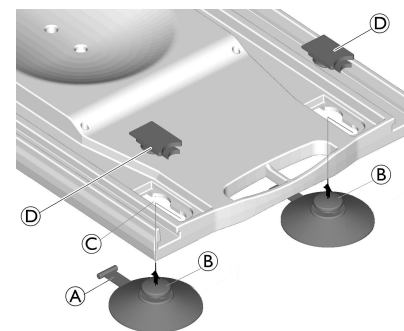


Fig. 4-3

Inserte la lengüeta A a través del ojal C y colóquela en el hueco correspondiente. Inserte el cabezal de la ventosa B a través del orificio C y tire de la ventosa hacia delante. Fije la ventosa con la tapa roja D.

1.

! Riesgo de daños

- Asegúrese de que las ventosas estén colocadas correctamente.
- Asegúrese de que la batería del mando esté cargada.
- Al levantar los componentes del elevador de bañera, estudie bien los pesos, consulte *10.1 Dimensiones y peso, página 144*
- Si la bañera cuenta con una barandilla montada en el interior, utilice los separadores de los laterales (disponibles como accesorio).
- Los laterales se deben abatir hacia fuera antes de abatir el respaldo.

3.

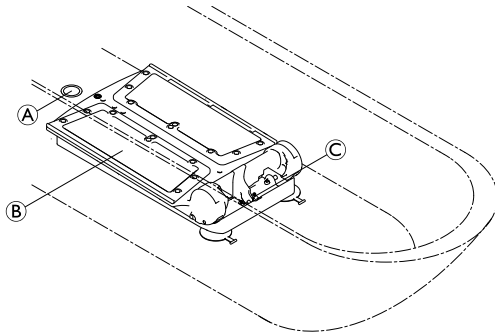


Fig. 4-4

Coloque el asiento ② sobre el fondo de la bañera vacía. Asegúrese de que el alojamiento del pie del husillo ③ esté orientado hacia el extremo de la bañera situado en el lado opuesto del desagüe ①.

4.

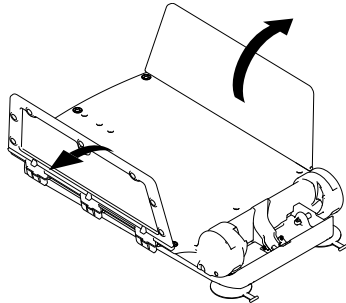


Fig. 4-5

Abata las solapas laterales del asiento hacia fuera.

5.

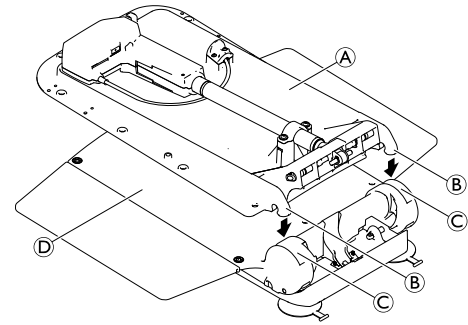


Fig. 4-6

Coloque el respaldo ① (sin el mando) sobre el asiento de tal manera que los ganchos ② del respaldo encajen en las bisagras ③ de la placa del asiento ④.

6.



Riesgo de daños

El producto se puede dañar a causa de un desplazamiento hacia fuera del pie del husillo.

- Antes de abatir el respaldo, compruebe que el husillo se encuentre completamente retraído y que el pie del husillo está nivelado y no torcido.
- Una vez que se haya abatido el respaldo, compruebe que el pie del husillo se encuentre dentro de su alojamiento.

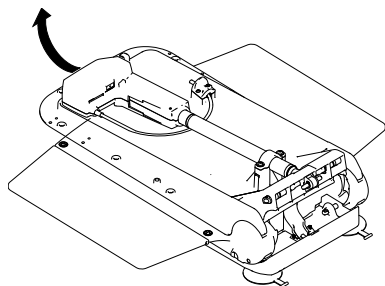


Fig. 4-7

Sujete el respaldo por el centro del extremo superior y abátalo con cuidado hasta alcanzar la posición final.

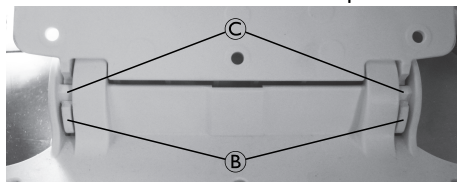


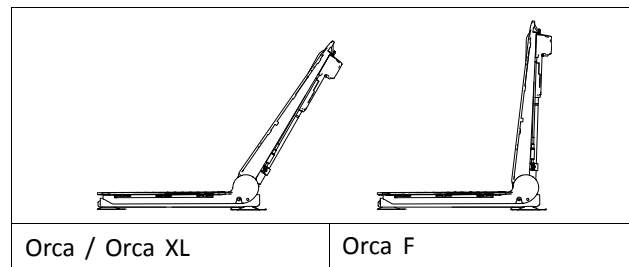
Fig. 4-8



Riesgo de daños

Daños en el producto por un montaje incorrecto del respaldo.

- Asegúrese de que los dos ganchos B del respaldo encajan en las bisagras C de la placa del asiento.
- Asegúrese de que el respaldo se abate hasta la posición final sin ejercer fuerza ni resistencia notable. La posición final se indica en el siguiente gráfico.



7.

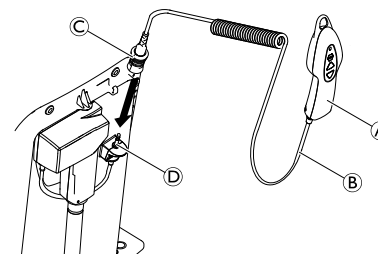


Fig. 4-9

Para conectar el mando A con el elevador de bañera, encaje el jack hembra con el manguito de desbloqueo C en la clavija jack D hasta que el bloqueo se acople perceptiblemente.



Riesgo de daños

- Asegúrese de que el respaldo no toca el borde de la bañera.
- Si es necesario, coloque el elevador adelantado en la bañera. Para colocar el elevador de bañera más hacia delante en la bañera, el elevador a lo mínimo, afloje las ventosas y, a continuación, mueva el elevador de bañera.

4.3 Carga de la batería

El elevador de bañera no debe usarse cuando la batería se está cargando.



¡ADVERTENCIA!

Riesgo de descarga eléctrica

- Recargue la batería únicamente en entornos secos a temperatura ambiente (de 15 °C a 25 °C) y bajo ningún concepto en el cuarto de baño.



Riesgo de daños

- Utilice únicamente el cargador suministrado para cargar la batería en el mando.
- Enchufe el cargador únicamente a la corriente eléctrica cuando el mando ya esté conectado al cargador.
- Asegúrese de que la especificación de tensión del cargador coincida con la tensión de la corriente eléctrica.

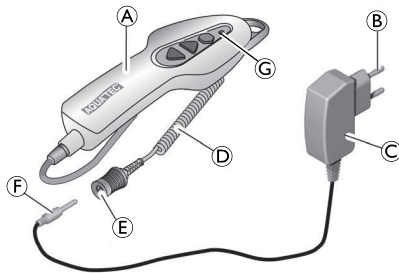


Fig. 4-10

1. Enchufe la clavija jack (F) del cargador (C) en el jack hembra (E) del cable espiral (D) del mando (A) hasta que encaje.
2. Inserte el enchufe de red (B) del cargador en una toma de corriente.



El indicador luminoso rojo (G) del mando se apaga en cuanto la batería está completamente cargada. No es posible "sobrecargar" la batería.

3. Desconecte el cargador de la toma de corriente.
4. Extraiga la clavija jack del cargador del jack hembra del mando.

5 Utilización

5.1 Información de seguridad



¡PRECAUCIÓN!

Riesgo de daños o lesiones

La humedad puede penetrar en un mando defectuoso y dar lugar a un cortocircuito e incendio.

- Antes de utilizar el producto, realice siempre una inspección visual del mismo para detectar posibles daños externos.
- Si la carcasa del mando está dañada o muestra fisuras, no utilice el mando.



¡PRECAUCIÓN!

Riesgo de atrapamiento

- No introduzca los dedos en la guía entre la placa de asiento y el respaldo.
- No coloque los dedos debajo de la placa del asiento o entre los mecanismos de elevación tipo tijera.



Riesgo de daños

Si sobrecarga el elevador de bañera, puede provocar daños en el dispositivo o evitar que se eleve.

- No sobrecargue el elevador de bañera y tenga en cuenta las especificaciones de la etiqueta de identificación, o bien consulte *10 Datos Técnicos, página 144* en relación con la capacidad de carga.



Recargue la batería periódicamente, consulte *3,4 Carga de la batería en 4 Instalación, página 127*



Para obtener más información sobre las condiciones de funcionamiento, consulte *10.4 Parámetros medioambientales, página 145*

5.2 Control del elevador de bañera

El elevador de bañera puede moverse en las direcciones siguientes:



Fig. 5-1

El elevador de bañera se controla mediante el mando, ya sea por parte del usuario como de un auxiliar.

i Con la batería completamente cargada, los aparatos ORCA y ORCA F se pueden utilizar en 5 baños con una carga de 140 kg. El aparato ORCA XL se puede utilizar en 4 baños con una carga de 170 kg.

- (A)** Botón de parada de emergencia
- (B)** Subir
- (C)** Mando
- (D)** Bajar
- (E)** Indicador luminoso

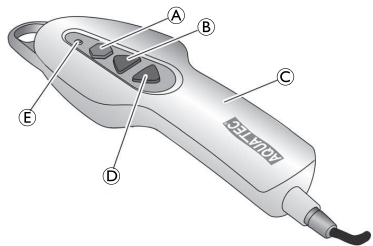


Fig. 5-2

! Riesgo de daños

– El mando solo puede usarse cuando el respaldo está correctamente colocado y en posición vertical.

i Si la batería del mando **(C)** no está suficientemente cargada, el indicador luminoso **(E)** se encenderá cuando se pulse el botón Bajar **(D)**. En este caso, se desactiva la función de bajada del elevador de bañera. Sin embargo, sí que podrá elevarlo.

1. Recargue la batería inmediatamente después de elevar el elevador de bañera.

Elevación del elevador de bañera

i Cuando el respaldo se baja, su primer movimiento se efectúa hacia la posición vertical (excepto en el modelo ORCA F)

1. Pulse la tecla Subir **(B)** del mando y manténgala pulsada. EL respaldo girará a la posición vertical o el asiento se desplazará hacia arriba.
2. Suelte el botón Subir del mando. El elevador de bañera se detendrá en la posición actual.

Descenso del elevador de bañera

i Si el asiento ya se ha bajado, el respaldo desciende hacia atrás (excepto en el modelo ORCA F).

1. Pulse la tecla Bajar **(D)** del mando y manténgala pulsada. El asiento baja o el respaldo se inclina hacia atrás.
2. Suelte el botón Bajar del mando. El elevador de bañera se detendrá en la posición actual.


Botón de parada de emergencia

! **Riesgo de daños**
 Pulse el botón de parada de emergencia **(A)** únicamente si el dispositivo no se detiene en el momento de soltar el botón Subir o Bajar (por ejemplo, al atascarse un botón). El movimiento del elevador de bañera se detiene al instante y el indicador luminoso en el mando se ilumina.

Al apagarse la luz indicadora roja después de haber soltado el botón de parada de emergencia, se habrá eliminado el

error (p. ej. soltando el botón de nuevo). El dispositivo volverá a estar listo para el funcionamiento.

En caso de que la luz indicadora roja siga iluminada después de haber soltado el botón de parada de emergencia, todavía no se habrá eliminado el error. El dispositivo no está listo para su uso y debe repararse, por ejemplo, en caso de un daño electrónico.

 Póngase en contacto con su proveedor, si es necesario.

5.3 Bañarse



¡ADVERTENCIA!

Riesgo de deslizamiento

El elevador de bañera puede deslizarse si las ventosas no tienen un agarre óptimo.

- Antes de utilizar el elevador de bañera, asegúrese de que esté colocado correctamente y de que no pueda volcar.
- Asegúrese de que el elevador de bañera esté instalado en una bañera con las dimensiones correctas, consulte *4.2 Ajuste del elevador de bañera, página 127*.



¡ADVERTENCIA!

Riesgo de lesiones

- Si, debido su estado, no puede bañarse por sí mismo, utilice únicamente el dispositivo bajo la supervisión de otra persona.
- Si se utiliza el dispositivo sin supervisión, asegúrese de contar con un sistema de alarma o teléfono a mano, en caso de eventos imprevistos, por ejemplo, un funcionamiento defectuoso.
- Antes de utilizarlo, compruebe la temperatura del agua del baño.



Riesgo de daños

- Los aceites o las sales de baño pueden perjudicar el rendimiento del mecanismo de elevación de tipo tijera.
- Si usa aceites o sales de baño, preste atención a la dosis recomendada.



Haga que el mecanismo de elevación se mueva una vez hacia arriba y hacia abajo sin carga (prueba de funcionamiento).

1. Mantenga pulsado el botón Subir hasta que el asiento quede al nivel del borde de la bañera.
2. Los laterales deben quedar sobre el borde de la bañera al mismo nivel que el asiento apoyando de manera segura (posición inicial).
3. Llene la bañera de agua.
4. Siéntese sobre la solapa lateral más cercana a usted como si se sentara sobre una silla.

5. Deslícese hacia atrás hasta la mitad del asiento.
6. Gírese a la posición del baño. Para ello pase primero una pierna y después la otra por encima del borde de la bañera.
7. Una vez que esté correctamente sentado, mantenga pulsado el botón Bajar para bajar el asiento al interior de la bañera.



Una vez que el asiento alcance la posición más baja, podrá reclinar el respaldo si sigue pulsando el botón Bajar. De este modo se logra una postura de baño más cómoda y permite sumergirse aún más en el agua del baño (excepto en el modelo ORCA F).

8. Continúe pulsando el botón Bajar hasta que el respaldo alcance la posición deseada.



Para salir de la bañera, siga los mismos pasos en el orden inverso.

9. Para elevar el respaldo o el elevador de bañera, pulse el botón Subir hasta que el asiento quede al nivel del borde de la bañera.



Riesgo de daños

– Desconecte el mando del dispositivo cuando el elevador de bañera no esté en uso, consulte *6.2 Desmontaje del elevador de bañera, página 136* paso 3.

6 Transporte

6.1 Información sobre seguridad



Riesgo de daños

- Cuando el respaldo está abatido, no se encuentra bloqueado y es posible que se desprenda.

1. Retire el mando.
2. Desmonte el elevador de bañera en dos secciones para su transporte (chasis de la base con placa del asiento y respaldo), consulte 6.2 *Desmontaje del elevador de bañera*, página 136



Riesgo de daños

- No extraiga las ventosas mientras transporte el elevador de bañera.
- Consulte las condiciones de envío y almacenamiento en el capítulo 10.4 *Parámetros medioambientales*, página 145

6.2 Desmontaje del elevador de bañera

1. Deje salir el agua de la bañera.
2. Baje el elevador de bañera con el botón Bajar hasta que el respaldo se detenga en la posición final más baja, consulte 5.2 *Control del elevador de bañera*, página 132
3. Desbloquee el jack hembra del cable espiral del mando desplazando el manguito de desbloqueo hacia arriba y retírelo de la clavija jack.

4.

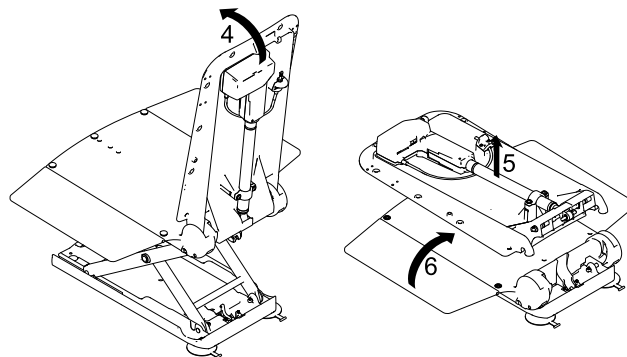


Fig. 6-1

Agarre el respaldo con una mano por el extremo superior y abátalo lentamente hacia adelante hasta alcanzar la posición final.



Riesgo de daños

- Abata el respaldo únicamente cuando ya no quede agua en la bañera.
- Antes de abatir el respaldo hacia abajo, asegúrese de que esté en la posición más baja..
- Al abatir el respaldo, asegúrese de que el cable espiral del mando no quede atrapado.

5. Extraiga hacia arriba el respaldo del asiento y sáquelo de la bañera.
6. Abata hacia adentro las solapas laterales del asiento.

7.

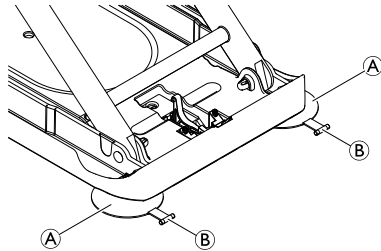




Fig. 6-2


Para soltar las ventosas traseras (A), levante las lengüetas que sobresalen (B).

 Suelte las dos ventosas traseras al mismo tiempo.

8. Levante ligeramente el asiento por la parte de atrás. Esto hará que se suelten las ventosas delanteras.

 Si los adaptadores de altura están instalados (opcional), también deberá tirar de las lengüetas de las ventosas delanteras para soltarlas.

9. Saque el chasis inferior con la placa del asiento fuera de la bañera.

 Asegúrese de que todas las ventosas estén despegadas antes de sacar el asiento de la bañera.

10. Guarde cuidadosamente todas las partes del elevador de bañera.

7 Mantenimiento

7.1 Mantenimiento e inspección

Si se siguen las indicaciones de limpieza y seguridad, el producto no necesita ningún mantenimiento.



Riesgo de daños

Únicamente el fabricante del elevador de bañera puede abrir el mando.

1. Compruebe con regularidad que el producto no esté dañado y que esté montado de forma segura.
2. En caso de producirse daños y/o reparaciones necesarias, póngase en contacto de inmediato con el distribuidor.
3. El elevador de bañera debe revisarla un distribuidor autorizado antes de cada reutilización. Se recomienda revisar el elevador de bañera tras 24 meses como máximo (de acuerdo con la norma DIN EN ISO 10535).
4. Si no utiliza el elevador de bañera durante un periodo prolongado, cargue totalmente la batería y a continuación haga que el elevador de bañera se desplace 3 veces hacia arriba y hacia abajo sin carga alguna. Repita este proceso cada 3 meses. Así se mantendrá la vida útil de la batería.

7.2 Limpieza y desinfección

7.2.1 Información general de seguridad



¡PRECAUCIÓN!

Riesgo de contaminación

- Adopte las precauciones necesarias y utilice el equipo de protección adecuado.



¡PRECAUCIÓN!

Riesgo de descarga eléctrica y daños en el producto

- Apague el dispositivo y desconéctelo de la red eléctrica, si procede.
- Al limpiar componentes electrónicos, tenga en cuenta su clase de protección sobre la introducción de agua.
- Asegúrese de que no salpique agua en el enchufe o la toma de pared.
- No toque la toma de corriente con las manos mojadas.



¡IMPORTANTE

- Seguir métodos erróneos o utilizar fluidos incorrectos puede dañar o deteriorar el producto.
- Todos los productos de limpieza y desinfectantes empleados deben ser eficaces, compatibles entre sí y deben proteger los materiales que se van a limpiar.
 - Nunca utilice fluidos corrosivos (álcalis, ácidos, etc.) ni productos de limpieza abrasivos. Recomendamos usar un producto de limpieza doméstico normal, como líquido lavavajillas, si no especifica lo contrario en las instrucciones de limpieza.
 - No utilice disolventes (decapantes de celulosa, acetona, etc.) que cambien la estructura del plástico o disuelvan las etiquetas adheridas.
 - Asegúrese siempre de que el producto se ha secado por completo antes de utilizarlo de nuevo.



Para la limpieza y desinfección en entornos clínicos o de atención sanitaria a largo plazo, siga los procedimientos internos.

7.2.2 Intervalos de limpieza



¡IMPORTANTE

La limpieza y la desinfección habituales mejoran el correcto funcionamiento, aumentan la vida útil y evitan la contaminación.

Limpie y desinfecte el producto

- periódicamente mientras esté en uso,
- antes y después de cualquier procedimiento de mantenimiento,
- cuando haya estado en contacto con fluidos corporales,
- antes de usarlo con un nuevo usuario.

7.2.3 Instrucciones de limpieza

El producto puede limpiarse con productos disponibles en el mercado.

Limpieza del asiento y del respaldo



¡PRECAUCIÓN!

Riesgo de atrapamiento

- Al limpiar, tenga especial cuidado con el área del mecanismo de elevación de tipo tijera, ya que podría moverse y causar lesiones.



Riesgo de daños

- No limpie nunca el respaldo con un limpiador a alta presión.

1. Lave el producto utilizando un paño o un cepillo.
2. Enjuague el producto con agua caliente.
3. Seque el producto con un paño.
4. Engrase ligeramente con vaselina la guía de la zapata de deslizamiento (consulte la Fig. 3.1, etiqueta ⓘ en el capítulo 3.3 *Componentes, página 129*).

Limpieza de las fundas (opcional)



Se recomienda lavar las fundas antes de usarlas por primera vez. Por motivos de higiene, se recomienda lavar las fundas regularmente y cambiarlas una vez al año.

1. Desabotone las fundas del asiento y del respaldo.
2. Lave las fundas en una lavadora a una temperatura máxima de 60 °C con un detergente suave.



Riesgo de daños

- Si se lavan a altas temperaturas, las fundas se puede dañar o encoger.
- No seque las fundas en la secadora.

Limpieza del cargador y del mando



¡ADVERTENCIA!

Riesgo de descarga eléctrica

- Desconecte siempre el enchufe de la toma de corriente antes de limpiar el cargador.
- No introduzca nunca objetos fabricados con materiales conductores (por ejemplo, agujas de tejer o clavos metálicos) en el jack hembra del mando.
- No limpie nunca el cargador con un trapo mojado o húmedo.

1. Limpie el cargador con un paño seco.
2. Limpie el mando con un paño húmedo.
3. Utilice un paño seco para secar el mando.

7.2.4 Instrucciones de desinfección



Encontrará más información sobre los desinfectantes y los métodos recomendados en <https://vah-online.de/en/for-users>.

En la atención domiciliaria

Método: Siga las instrucciones de aplicación del desinfectante y limpie y desinfecte todas las superficies accesibles.

Desinfectante: Desinfectante doméstico habitual.

Secado: Deje que el producto se seque al aire.

En atención clínica y a largo plazo

Siga los procedimientos de desinfección del centro y utilice exclusivamente los desinfectantes y métodos especificados.

8 Después del uso

8.1 Almacenamiento



Riesgo de daños

- No guarde el producto cerca de fuentes de calor.
- No guarde la batería cerca de llamas vivas.
- No exponga el producto a la luz solar directa.
- Consulte las condiciones de envío y almacenamiento en la sección *10.4 Parámetros medioambientales, página 145*

8.2 Reacondicionamiento

El producto se puede reutilizar. Para reacondicionar el producto para un nuevo usuario, lleve a cabo las siguientes acciones:

- Inspección
- Limpieza y desinfección

Para obtener información detallada, consulte *7 Mantenimiento, página 138* y el manual de servicio de este producto.

Asegúrese de que el manual del usuario se entregue con el producto.

Si se detecta algún daño o un funcionamiento deficiente, no reutilice el producto.

8.3 Eliminación



¡ADVERTENCIA!

Riesgo medioambiental

El dispositivo tiene baterías.

Este producto puede contener sustancias que podrían ser perjudiciales para el medio ambiente si se procede a su eliminación en lugares (vertederos) que no sean los idóneos según la legislación.

- NO tire las baterías con la basura doméstica.
- NO tire las baterías al fuego.
- Las baterías DEBERÁN llevarse a un punto limpio adecuado. Entregar las baterías no tiene coste alguno y lo exige la ley.
- Tire solo baterías descargadas.
- Cubra los terminales de baterías de litio antes de tirarlos.
- Para obtener más información sobre el tipo de batería, consulte la etiqueta de la batería o el capítulo *10 Datos Técnicos, página 144*

Proteja el medio ambiente y recicle este producto a través de la planta de reciclaje más próxima cuando llegue al final de su vida útil.

Desmonte el producto y sus componentes para separar y reciclar individualmente los diferentes materiales.

La eliminación o el reciclaje de los productos usados y del embalaje deberán llevarse a cabo conforme a las normativas legales sobre el tratamiento de residuos vigentes en cada país. Póngase en contacto con la empresa de gestión de residuos local para obtener más información al respecto.

9 Solución de problemas

9.1 Identificación y reparación de fallos



En la siguiente tabla se incluye información sobre fallos de funcionamiento y sus posibles causas. Si no puede corregir el funcionamiento incorrecto con las soluciones indicadas, póngase en contacto directamente con su proveedor.

Fallo	Posible causa	Solución
No se oye el ruido del motor/el elevador no se mueve.	El jack hembra del mando no encaja correctamente.	Encaje el jack hembra, → 4.2 <i>Ajuste del elevador de bañera, página 127</i>
	La batería está descargada.	Recargue completamente la batería, → 4.3 <i>Carga de la batería, página 131</i>
	Los contactos están sucios.	Limpie el enchufe del respaldo → si es necesario, póngase en contacto con su proveedor.
	El cable ha quedado prensado/se ha dañado.	Sustituya el mando, → si es necesario, póngase en contacto con su proveedor.
El elevador se puede elevar, pero no bajar.	La protección de bajo voltaje se ha activado.	Recargue completamente la batería, → 4.3 <i>Carga de la batería, página 131</i>
El elevador se detiene al subir.	La carga es excesiva.	Tenga en cuenta la carga máxima, → 10.1 <i>Dimensiones y peso, página 144</i>
El elevador de bañera no se adhiere a la bañera con seguridad.	Las ventosas están muy usadas o dañadas.	Sustituya las ventosas, → si es necesario, póngase en contacto con su proveedor.
La batería no se carga y el indicador luminoso rojo parpadea durante la carga.	El sistema electrónico es defectuoso.	Solicite al proveedor autorizado que compruebe el mando.
	La batería es defectuosa.	Cambie el mando.

Fallo	Posible causa	Solución
	El cargador es defectuoso.	Solicite al proveedor autorizado que compruebe el cargador.
	La batería se calienta demasiado.	No cargue el mando cerca de fuentes de calor como, por ejemplo, aparatos que emiten calor o la luz del sol directa. La carga continúa automáticamente una vez que la temperatura desciende a límites permisibles.

10 Datos Técnicos

10.1 Dimensiones y peso

Longitud total en la posición más baja	920 mm
Longitud total en la posición más alta	650 mm
Altura total en la posición más alta	1075 mm
Longitud del asiento	590 mm
Anchura del asiento con los laterales abiertos	715 mm
Anchura del asiento con los laterales cerrados	390 mm
Altura del asiento en la posición más baja	60 mm
Altura del asiento en su posición más alta	420 mm
Anchura del respaldo	360 mm
Ángulo mínimo del respaldo	8°
Anchura de la placa base	295 mm
Carga máx. (ORCA / ORCA F) Carga máx. (ORCA XL)	140 kg 170 kg
Peso total sin mando (ORCA) (ORCA F) (ORCA XL)	10,8 kg 11,4 kg 11,6 kg
Peso del asiento (ORCA) (ORCA F) (ORCA XL)	6,6 kg 7,2 kg 7,4 kg

Peso del respaldo (ORCA / ORCA F / ORCA XL)	4,2 kg
Peso del mando	0,4 kg
Peso del cargador	0,1 kg

10.2 Datos electrónicos

Fuerza de accionamiento de los botones del mando	< 5 N
Tensión de funcionamiento del mando ¹⁾	11,1 V CC / 10,95 V CC / 10,8 V CC
Potencia nominal de entrada ¹⁾	44 VA / 43 VA
Corriente nominal	4 A
Tipo de batería	Ion de litio
Entrada del cargador	100 - 240 V CA, 50 - 60 Hz
Salida del cargador	24 V CC, 135 mA, 3 VA
Tiempo de carga a partir de la advertencia de tensión baja	aprox. 4,5 h
Tipo de protección del accionamiento	IP X6 W ²⁾
Tipo de protección del mando	IP 67 ³⁾

Tipo de protección de todo el dispositivo	IP X6 ⁴⁾
Nivel de potencia acústica	52 dB(A)

El pistón no se desactiva cuando el producto se sobrecarga. No sobrecargue el elevador de bañera para evitar daños.

¹⁾ 11,1 V CC / 44 VA válido si se utilizan mandos cuyo voltaje, indicado en la parte posterior del mando, sea de 11,1 V.
 10,95 V CC / 44 VA válido si se utilizan mandos cuyo voltaje, indicado en la parte posterior del mando, sea de 10,95 V.
 10,8 V CC / 43 VA válido si se utilizan mandos cuyo voltaje, indicado en la parte posterior del mando, sea de 10,8 V.

²⁾ Protegido frente a la entrada de agua en caso de producirse fuertes chorros de agua, probado bajo condiciones meteorológicas estipuladas.

³⁾ A prueba de polvo y protegido para evitar la entrada de agua en inmersiones temporales.

⁴⁾ Protegido para evitar la entrada de agua en el caso de producirse fuertes chorros de agua.

10.3 Materiales

Respaldo	PPGF
Placa del asiento	PPGF
Fundas	PVC



Todos los materiales utilizados son resistentes a la corrosión y no contienen látex.

10.4 Parámetros medioambientales

Condiciones de funcionamiento	
Temperatura ambiente	De 10 a 40 °C
Humedad relativa	Del 15 % al 93 % sin condensación
Presión atmosférica	De 795 a 1060 hPa
Condiciones de envío y almacenamiento	
Temperatura ambiente	De 0 a 40 °C
Humedad relativa	Del 30 % al 75 % sin condensación
Presión atmosférica	De 795 a 1060 hPa

Índice

Este manual TEM de ser fornecido ao utilizador do produto. ANTES de utilizar este produto, este manual DEVE ser lido e guardado para referência futura.

1 Geral	148
1.1 Introdução	148
1.2 Símbolos utilizados neste manual	148
1.3 Garantia	148
1.4 Conformidade	149
1.4.1 Normas específicas do produto	149
1.5 Vida útil	149
1.6 Limitação de responsabilidade	149
2 Segurança	150
2.1 Informações de segurança	150
2.2 Informação de segurança sobre compatibilidade eletromagnética	151
2.3 Etiquetas e símbolos no produto	151
3 Descrição geral do produto	153
3.1 Descrição do Produto	153
3.2 Utilização prevista	153
3.3 Componentes	153
4 Configuração	155
4.1 Informações de segurança	155
4.2 Configurar o elevador de banheira	155
4.3 Carregar a bateria	159
5 Utilização	160
5.1 Informações de segurança	160
5.2 Controlar o elevador de banheira	160
5.3 Tomar banho	162
6 Transporte	164
6.1 Informações de segurança	164

6.2 Remover o elevador de banheira	164
7 Manutenção	166
7.1 Manutenção e inspeção	166
7.2 Limpeza e desinfeção	166
7.2.1 Informações gerais de segurança	166
7.2.2 Intervalos de limpeza	167
7.2.3 Instruções de limpeza	167
7.2.4 Disinfection Instructions	168
8 Após a utilização	169
8.1 Armazenamento	169
8.2 Recondicionamento	169
8.3 Eliminação	169
9 Resolução de problemas	171
9.1 Identificar e reparar falhas	171
10 Características Técnicas	173
10.1 Dimensões e peso	173
10.2 Dados eletrónicos	173
10.3 Materiais	174
10.4 Parâmetros ambientais	174

1 Geral

1.1 Introdução

Este manual de utilização contém informações importantes sobre o manuseamento do produto. Para garantir a segurança durante a utilização do produto, leia atentamente o manual de utilização e siga as instruções de segurança.

Tenha em atenção que este documento pode conter secções não aplicáveis ao seu produto, uma vez que se refere a todos os modelos disponíveis (à data da impressão). Salvo menção em contrário, cada secção deste documento refere-se a todos os modelos do produto.

As configurações e os modelos disponíveis no seu país podem ser encontrados em documentos de venda específicos do país.

A Invacare reserva-se o direito de alterar as especificações do produto sem aviso prévio.

Antes de ler este documento, certifique-se de que tem a versão mais recente. A versão mais recente está disponível no site da Invacare, em formato PDF.

Se o tamanho do tipo de letra no documento impresso for difícil de ler, pode transferir uma versão em PDF do manual a partir do site. A imagem do PDF pode ser ajustada no ecrã para um tamanho de tipo de letra que lhe seja mais cómodo.

Para obter mais informações sobre o produto, por exemplo, avisos de segurança de produtos e retiradas de produtos do mercado, contacte o seu representante da Invacare. Consulte os endereços no final deste documento.

Em caso de incidente grave com o produto, deve informar o fabricante e as autoridades competentes do seu país.

1.2 Símbolos utilizados neste manual

Neste manual, as advertências são indicadas por símbolos. Os símbolos de advertência são acompanhados por um cabeçalho que indica a gravidade do perigo.



ADVERTÊNCIA

Indica uma situação perigosa que, se não for evitada, poderá resultar em morte ou em lesões graves.



CUIDADO

Indica uma situação perigosa que, se não for evitada, poderá resultar em lesões menores ou ligeiras.



IMPORTANTE

Indica uma situação perigosa que, se não for evitada, poderá resultar em danos à propriedade.



Sugestões e recomendações

Sugestões, recomendações e informações úteis para uma utilização eficiente e sem problemas.

1.3 Garantia

Facultamos uma garantia de fabrico para o produto, em conformidade com os nossos Termos e Condições Gerais de Compra nos respetivos países. As reclamações de garantia só podem ser realizadas através do fornecedor ao qual o aparelho foi adquirido.

As capas e as ventosas não estão cobertas por esta garantia.

1.4 Conformidade

A qualidade é fundamental para o funcionamento da empresa, estando em conformidade com a norma ISO 13485.

Este produto apresenta a marca CE, em conformidade com o Regulamento de dispositivos médicos 2017/745, Classe 1. A data de lançamento deste produto é indicada na declaração de conformidade CE.

Temos empreendido um esforço contínuo para reduzir ao mínimo o impacto local e global da empresa no ambiente.

Apenas utilizamos materiais e componentes que cumprem a diretiva REACH.

Cumprimos as legislações vigentes em matéria ambiental, nomeadamente, as diretivas REEE e RoHS.

1.4.1 Normas específicas do produto

O produto cumpre os requisitos da norma DIN EN ISO 10535 (Dispositivos de levantamento para a transferência de pessoas com deficiência).

Para obter mais informações, contacte a Invacare no seu país (as moradas são indicadas no fim deste documento).

1.5 Vida útil

A vida útil prevista deste produto é de cinco anos, quando o mesmo é utilizado diariamente e em conformidade com as instruções de segurança, intervalos de manutenção e utilização correcta indicados neste manual. A vida útil efectiva pode variar de acordo com a frequência e intensidade de utilização.

1.6 Limitação de responsabilidade

A Invacare não aceita a responsabilidade por danos decorrentes de:

- Incumprimento das instruções presentes no manual de utilização
- Utilização incorreta
- Desgaste natural devido ao uso
- Montagem ou preparação incorreta pelo comprador ou por terceiros
- Modificações técnicas
- Modificações não autorizadas e/ou utilização de peças sobressalentes desadequadas

2 Segurança

2.1 Informações de segurança



ADVERTÊNCIA!

Risco de lesão grave ou danos

A utilização incorreta deste produto pode causar lesões ou danos.

- Se não compreender as advertências, avisos ou instruções, contacte um profissional de cuidados de saúde ou o fornecedor antes de tentar utilizar este equipamento.
- Não utilize este produto ou qualquer equipamento opcional disponível sem primeiro ler e compreender estas instruções e todo o material de instrução adicional, assim como os manuais de utilização, os manuais de assistência ou os folhetos de instruções fornecidos com este produto ou com equipamento opcional.



ADVERTÊNCIA!

Risco de lesões

- Não utilizar se apresentar defeitos.
- Em caso de avaria, contacte imediatamente o seu fornecedor.
- Não faça quaisquer modificações ou alterações não autorizadas no produto.
- Nunca se coloque de pé sobre o elevador de banheira para entrar ou sair da banheira, não o utilize para apoio ao elevar-se ou ao baixar-se, como plataforma de elevação ou com qualquer objetivo semelhante.



ADVERTÊNCIA!

- Antes da primeira utilização, limpe rigorosamente o produto.
- Antes de cada utilização, verifique o produto, procurando sinais de danos e assegurando que está montado de forma segura.



ATENÇÃO!

Risco de lesão

Peças não originais ou incorretas podem afetar o funcionamento e a segurança do produto.

- Utilize apenas peças originais para o produto em utilização.
- Devido a diferenças regionais, consulte o site ou o catálogo local da Invacare para obter informações sobre as opções disponíveis ou contacte o seu representante local da Invacare. Consulte os endereços no final deste documento.

2.2 Informação de segurança sobre compatibilidade eletromagnética



ADVERTÊNCIA!

Risco de avaria devido a interferência eletromagnética

Podem ocorrer interferências eletromagnéticas entre este produto e outros equipamentos elétricos que podem afetar as funções de regulação elétrica deste produto. Para evitar, reduzir ou eliminar as interferências eletromagnéticas:

- Utilize apenas cabos, acessórios e peças sobressalentes originais para não aumentar as emissões eletromagnéticas nem reduzir a imunidade eletromagnética deste produto.
- Não utilize equipamentos de comunicações de radiofrequência (RF) portáteis a uma distância inferior a 30 cm de qualquer parte deste produto (incluindo cabos).
- Não utilize este produto perto de equipamento cirúrgico ativo de alta frequência, nem de uma sala de imagiologia por ressonância magnética com blindagem de RF, onde a intensidade das perturbações eletromagnéticas é alta.
- Se ocorrerem perturbações, aumente a distância entre este produto e o outro equipamento ou desligue o equipamento.



ADVERTÊNCIA!

Risco de avaria

A interferência eletromagnética pode causar problemas de funcionamento.

- Não utilize este produto ao lado de ou empilhado com equipamento elétrico adicional. Se tiver de o fazer, este produto e o equipamento adicional terão de ser observados de perto para confirmar se estão a funcionar normalmente.

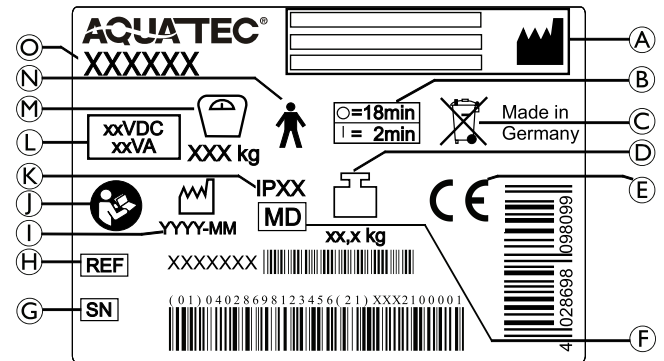


Não temos conhecimento de qualquer risco ao utilizar produtos como um pacemaker cardíaco.

2.3 Etiquetas e símbolos no produto

Placa de características

A placa de características contém informações importantes:



Ⓐ	Fabricante e morada do fabricante
Ⓑ	Intervalo de utilização (o funcionamento contínuo do motor não é permitido): utilização contínua durante um máximo de 2 minutos seguida de uma pausa de 18 minutos
Ⓒ	Nota (eliminação)
Ⓓ	Peso do produto
Ⓔ	Conformidade Europeia
Ⓕ	Dispositivo médico
Ⓖ	Número de série
Ⓗ	Número de referência
Ⓘ	Data de fabrico
Ⓝ	Ler o manual de utilização
Ⓚ	Tipo de proteção
Ⓛ	Tensão nominal/potência nominal, consulte <i>10 Características Técnicas, página 173</i>
Ⓜ	Peso máximo do utilizador
Ⓝ	Peça aplicada de tipo B
©	Designação do produto



A etiqueta com identificação está colocada na parte posterior do encosto.

3 Descrição geral do produto

3.1 Descrição do Produto

Aquatec ORCA, ORCA F e ORCA XL são elevadores de banheira alimentados a bateria que auxiliam a entrada ou saída da banheira. São constituídos por uma placa de assento (com abas laterais integradas) com superfície antiderrapante.

Os modelos ORCA e ORCA XL têm um encosto rígido que pode ser baixado com um comando. O modelo ORCA F tem um encosto fixo. Uma capa do encosto e do assento estão opcionalmente disponíveis para todos os modelos.

Todos os modelos incluem um comando que controla o movimento do assento, para cima e para baixo.

O encosto pode ser equipado com peças laterais para aumentar o suporte e a segurança.

3.2 Utilização prevista

Os elevadores de banheira Aquatec ORCA, ORCA F e ORCA XL destinam-se a ser utilizados para auxiliar a entrada ou saída da banheira, em segurança e sem esforço.

Utilizadores previstos

Os utilizadores são qualquer pessoa com mobilidade restrita ou limitada (por exemplo, pernas e/ou ancas). Se for utilizado sem um assistente, o utilizador deve ser capaz de manter o equilíbrio.

Indicações

- Mobilidade restrita ou limitada (por exemplo, pernas e/ou ancas) ou

- problemas de equilíbrio ao pôr-se de pé ou caminhar devido a incapacidades transitórias ou permanentes.

Contraindicações

Não existem nenhuma contraindicações conhecidas quando o produto é utilizado da forma prevista.

O peso máximo do utilizador é:

- 140 kg (ORCA/ORCA F)
- 170 kg (ORCA XL)

3.3 Componentes

Os seguintes componentes são incluídos na entrega:

Comando e carregador

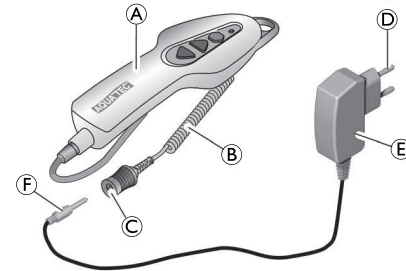


Fig. 3-1

- | | |
|--------------------------|--------------------------|
| (A) Comando com bateria | (D) Ficha de alimentação |
| (B) Cabo em espiral | (E) Carregador |
| (C) Tomada de ficha jack | (F) Ligação jack |

Assento

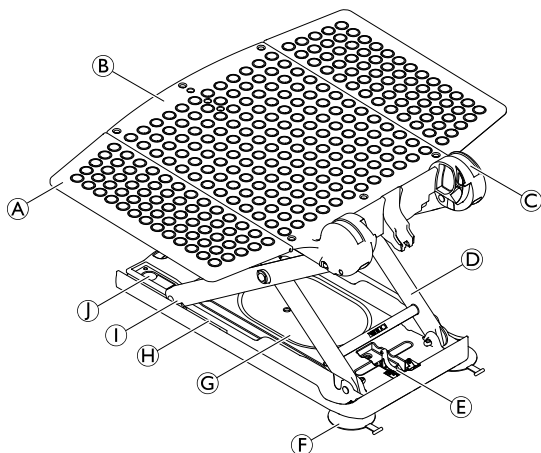


Fig. 3-2

Encosto

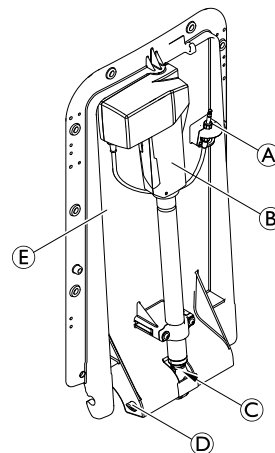


Fig. 3-3

- | | | | |
|---|-----------------------------|---|---|
| Ⓐ | Aba lateral | Ⓕ | Ventosas posteriores (com rosca) |
| Ⓑ | Placa de assento | Ⓖ | Placa de base |
| Ⓒ | Articulação do encosto | Ⓖ | Calha para o calço de deslizamento |
| Ⓓ | Tesouras de elevação | Ⓙ | Calço de deslizamento |
| Ⓔ | Retentor do suporte do eixo | Ⓚ | Ventosas dianteiras (uma lingueta com cabeça) |
| | | Ⓛ | Ventosas posteriores (com rosca) |

- | | | | |
|---|-----------------|---|------------------|
| Ⓐ | Ligação jack | Ⓓ | Pino de bloqueio |
| Ⓑ | Drive (Tração) | Ⓔ | Placa, encosto |
| Ⓒ | Suporte do eixo | | |

4 Configuração

4.1 Informações de segurança



Risco de danos

- Verifique todas as peças para determinar se ocorreram danos no transporte e efetue uma verificação antes da utilização. Contacte o seu fornecedor, se necessário.
- Durante a montagem, certifique-se de que as peças estão posicionadas corretamente em relação umas às outras.
- Recomenda-se a lavagem das capas antes da primeira utilização. Consulte 7.2 *Limpeza e desinfeção*, página 166

4.2 Configurar o elevador de banheira



ADVERTÊNCIA!

Risco de desliz

- O elevador de banheira pode escorregar se as ventosas não estiverem a agarrar com firmeza.
- Limpe a banheira e as ventosas com um pano húmido antes de configurar o elevador de banheira.
 - Não modifique a posição do elevador de banheira na banheira depois de o mesmo estar configurado.



ADVERTÊNCIA!

Risco de lesões e danos!

- Instale o elevador de banheira apenas em banheiras que estejam em conformidade com as especificações da tabela seguinte.
- Se extravasar água pelos lados da banheira, utilize as abas laterais especiais (disponíveis como acessório).

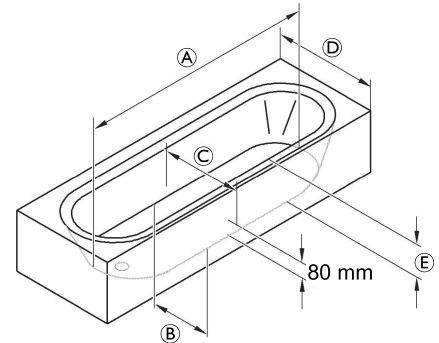


Fig. 4-1

Ⓐ	Comprimento do tubo, base	≥ 800 mm
Ⓑ	Largura do tubo, base (interior)	≥ 280 mm

©	Largura do tubo, com altura de 80 mm (interior)	≥ 430 mm
©	Largura do tubo (exterior)	580 - 690 mm (com abas laterais especiais) 700 - 740 mm (com abas laterais standard) 750 - 1000 mm (com abas laterais especiais)
©	Altura do tubo (interior)	≤ 420 mm (com adaptador de altura, máx. + 60 mm)

! Risco de danos

- Assegure que as ventosas estão instaladas corretamente.
- Assegure que a bateria no comando está carregada.
- Ao levantar componentes do elevador de banheira, não se esqueça de avaliar corretamente os pesos. Consulte *10.1 Dimensões e peso, página 173*
- Se a banheira tiver um corrimão montado no interior, utilize os separadores de aba lateral (disponíveis como acessório).
- Dobre as abas laterais para fora antes de dobrar o encosto para cima.

1.

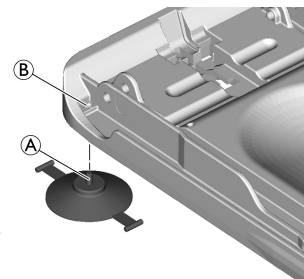


Fig. 4-2

Coloque a ventosa posterior com parafuso roscado (A) na porca da manga (B) e aparafuse. Aparafuse o máximo possível desde que a ventosa corresponda à orientação no gráfico.

2.

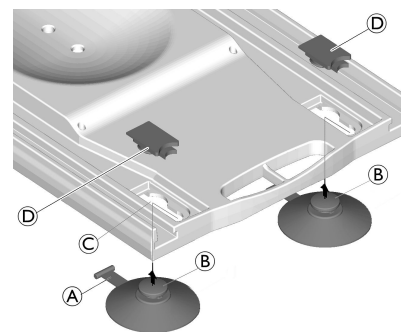


Fig. 4-3

Introduza a patilha (A) através do orifício de fechadura (C) e coloque-a na reentrância correspondente. Introduza a cabeça da ventosa (B) no orifício (C) e puxe a

ventosa para a frente.

Fixe a ventosa com a tampa vermelha ④.

3.

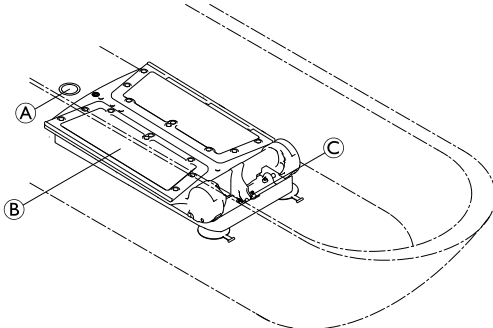


Fig. 4-4

Coloque o assento ② na base da banheira vazia. Assegure que o retedor do suporte do eixo ③ está orientado na direção da extremidade da banheira, no sentido oposto ao ralo ①.

4.

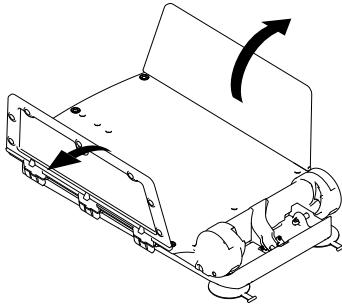


Fig. 4-5

Dobre as abas laterais do assento para fora.

5.

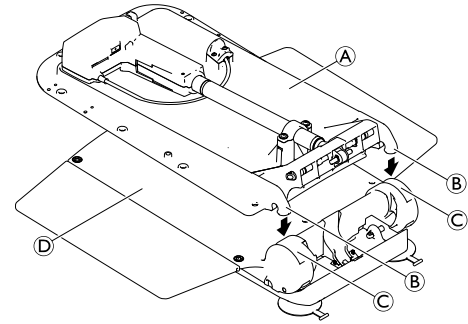


Fig. 4-6

Coloque o encosto ① (sem o comando) no assento de forma que os ganchos ② do encosto fiquem encaixados nas dobradiças ③ da placa de assento ④.

6.



Risco de danos

Danos no produto causados pelo deslizamento do suporte do eixo.

- Assegure que o suporte do eixo está completamente retraído, que está nivelado e que não está torcido, antes de dobrar o encosto para cima.
- Depois de o encosto ser dobrado para cima, assegure que o suporte do eixo está no respetivo retedor.

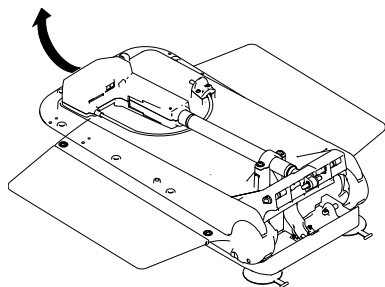


Fig. 4-7

Fixe o encosto no centro da extremidade da cabeça e dobre o encosto cuidadosamente para cima até à posição final.

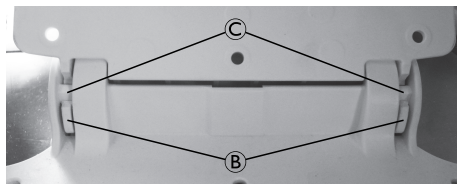


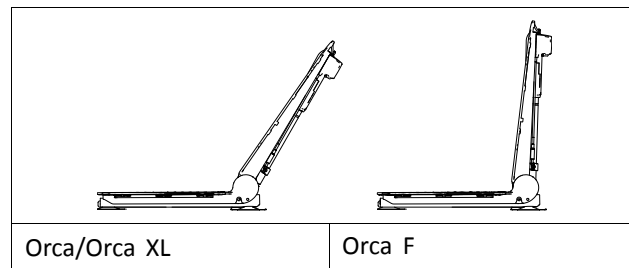
Fig. 4-8



Risco de danos

Danos no produto devido a montagem incorreta do encosto.

- Certifique-se de que ambos os ganchos **B** do encosto engatam nas dobradiças **C** da placa de assento.
- Certifique-se de que o encosto está rebatido até à posição final sem exercer força e resistência visível. A posição final é indicada no gráfico seguinte.



7.

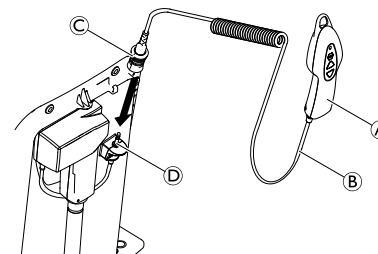


Fig. 4-9

Para ligar o comando **A** com o elevador de banheira, ligue a tomada de ficha jack com a manga de desbloqueio **C** à ligação jack **D** até que o mecanismo de bloqueio fique visivelmente engatado.



Risco de danos

- Certifique-se de que o encosto não toca na extremidade da banheira.
- Se necessário, coloque o elevador de banheira ainda mais para a frente na banheira. Para colocar o elevador de banheira ainda mais para a frente na banheira, baixe o elevador de banheira até ao fundo, solte as ventosas e, em seguida, desloque o elevador de banheira.

4.3 Carregar a bateria

O elevador de banheira não pode ser utilizado quando a bateria está a carregar.



ADVERTÊNCIA!

Risco de choque elétrico

- Recarregue a bateria apenas em divisões secas à temperatura ambiente (15 °C a 25 °C) e nunca na casa de banho.



Risco de danos

- Utilize apenas o carregador fornecido para carregar a bateria no comando.
- Ligue o carregador à rede elétrica apenas quando o comando estiver ligado ao carregador.
- Certifique-se de que as especificações de tensão apresentadas no carregador correspondem às especificações da rede elétrica.

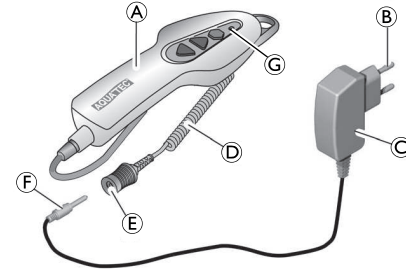


Fig. 4-10

1. Insira a ligação jack **F** do carregador **C** na tomada de ficha jack **E** do cabo em espiral **D** do comando **A** até ficar engatada.
2. Insira a ficha de alimentação **B** do carregador na tomada.
 - i** A luz indicadora **G** vermelha do comando apaga-se quando a bateria está completamente carregada. Não é possível sobrecarregar a bateria.
3. Desligue o carregador da tomada.
4. Puxe a ligação jack do carregador para fora da tomada de ficha jack do comando.

5 Utilização

5.1 Informações de segurança



ATENÇÃO!

Risco de lesões ou danos

A humidade pode penetrar num comando danificado, o que pode provocar um curto-circuito e incêndio.

- Antes de cada utilização, realize sempre uma inspeção visual do produto, procurando sinais de danos exteriores.
- Se a caixa do comando estiver danificada ou apresentar fissuras, não o utilize.



ATENÇÃO!

Risco de trilhadeira

- Não insira os dedos na calha entre a placa do assento e o encosto.
- Não coloque os dedos por baixo da placa de assento ou entre as tesouras de elevação.



Risco de danos

Sobrecarregar o elevador de banheira pode causar danos ao dispositivo ou impedir a elevação.

- Não sobrecarregue o elevador de banheira e tenha em atenção as especificações na etiqueta com identificação ou consulte *10 Características Técnicas, página 173* com vista à capacidade de carga.



Recarregue a bateria regularmente. Consulte *3,4 Carregar a bateria em 4 Configuração, página 155*



Para mais informações sobre as condições de funcionamento, consulte *10.4 Parâmetros ambientais, página 174*

5.2 Controlar o elevador de banheira

O elevador de banheira move-se nas seguintes direções:



Fig. 5-1

O elevador de banheira é controlado através do comando, pelo utilizador ou por um assistente.



Com uma bateria completamente carregada, o ORCA e ORCA F conseguem realizar 5 operações de banho com uma carga de 140 kg. O ORCA XL consegue realizar 4 operações de banho com uma carga de 170 kg.

- Ⓐ Botão de paragem de emergência
- Ⓑ Botão Para cima
- Ⓒ Comando
- Ⓓ Botão Para baixo
- Ⓔ Luz indicadora

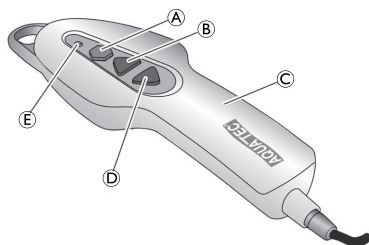


Fig. 5-2

! Risco de danos

– O comando só pode ser utilizado quando o encosto está corretamente instalado e na posição vertical.

i Se a bateria no comando **Ⓒ** não estiver suficientemente carregada, a luz indicadora **Ⓔ** acende-se quando o botão Para baixo **Ⓓ** é premido. Neste caso, a função de abaixamento do elevador de banheiro é desativada. No entanto, continua a poder elevar o elevador.

1. Recarregue a bateria imediatamente depois de elevar o elevador de banheiro.

Elevar o elevador de banheiro

i Se o encosto estiver baixado, irá mover-se primeiro para a posição vertical (não se aplica ao modelo ORCA F).

1. Prima o botão Para cima **Ⓑ** no comando e mantenha-o premido.
O encosto move-se para a posição vertical ou o assento move-se para cima.
2. Solte o botão Para cima no comando.
O elevador de banheiro fica parado na posição atual.

Baixar o elevador de banheiro

i Se o assento já tiver descido, o encosto baixa para trás (exceto no modelo ORCA F).

1. Prima o botão Para baixo **Ⓓ** no comando e mantenha-o premido.
O assento move-se para baixo ou o encosto inclina-se para trás.
2. Solte o botão Para baixo no comando manual.
O elevador de banheiro fica parado na posição atual.


Botão de paragem de emergência

! Risco de danos

Prima o botão de paragem de emergência **Ⓐ** apenas se o dispositivo não parar imediatamente quando o botão Para cima ou Para baixo for solto (por exemplo, se um botão ficar preso). O movimento do elevador de banheiro é interrompido imediatamente e a luz indicadora no comando acende-se.

Se a luz indicadora vermelha se apagar depois de soltar o botão de paragem de emergência, a falha foi retificada (por exemplo, o botão é solto novamente). O dispositivo está pronto a ser utilizado de novo.

Se a luz indicadora vermelha se mantiver acesa depois de soltar o botão de paragem de emergência, a falha não foi retificada. O dispositivo não está pronto a ser utilizado e deve ser reparado, por exemplo, em caso de danos nos componentes eletrónicos.

 Contacte o seu fornecedor, se necessário.

5.3 Tomar banho



ADVERTÊNCIA!

Risco de deslize

O elevador de banheira pode escorregar se as ventosas não estiverem a agarrar com firmeza.

- Antes de utilizar o elevador de banheira assegure que este está posicionado com segurança e não pode tombar.
- Certifique-se de que o elevador de banheira está montado numa banheira com as dimensões corretas. Consulte *4.2 Configurar o elevador de banheira, página 155*



ADVERTÊNCIA!

Risco de lesões

- Se a sua condição o impedir de tomar banho sozinho, utilize o dispositivo apenas com supervisão.
- Se utilizar o dispositivo sem supervisão, certifique-se de que tem um sistema de alarme ou telefone ao seu alcance, em caso de acontecimentos imprevistos (por exemplo, avarias).
- Antes de utilizar, verifique a temperatura da água do banho.



Risco de danos


- Os óleos ou sais de banho podem comprometer o desempenho das tesouras de elevação.
- Se utilizar este tipo de suplementos de banho, não ultrapasse a dose recomendada.




Mova o elevador sem carga até ao cimo e para baixo (teste de função).

1. Mantenha pressionado o botão Para cima até que o assento esteja ao nível da extremidade da banheira.
2. Certifique-se de que as abas laterais estão ao nível do assento e que ficam em posição plana sobre a extremidade da banheira (posição inicial).
3. Encha a banheira de água.
4. Sente-se na aba lateral mais próxima de si como se estivesse numa cadeira.
5. Deslize para trás até ficar sentado no meio do assento.

6. Coloque-se na posição de banho, elevando uma perna de cada vez sobre a extremidade da banheira.
7. Quando estiver sentado corretamente, prima sem soltar o botão Para baixo para baixar o assento na banheira.

 Assim que o assento tiver chegado à posição mais baixa, é possível reclinar o encosto continuando a pressionar o botão Para baixo. Assim, o utilizador tem uma posição de banho mais confortável e pode ficar imerso em mais água do banho (não se aplica ao modelo ORCA F).

8. Mantenha o botão Para baixo premido até que o encosto tenha chegado à posição pretendida.

 Para sair da banheira, siga estes passos pela ordem inversa.

9. Para elevar o encosto ou o elevador de banheira, prima sem soltar o botão Para cima até o assento se encontrar ao mesmo nível da extremidade da banheira.

Risco de danos

- Desligue o comando do dispositivo quando o elevador de banheira não estiver a ser utilizado. Consulte *6.2 Remover o elevador de banheira, página 164* passo 3.

6 Transporte

6.1 Informações de segurança

- !** **Risco de danos**
- O encosto não fica engatado no assento quando está dobrado, podendo desprender-se.

1. Retire o comando.
2. Desmonte o elevador de banheira em duas secções para transporte (chassis da base com placa de assento e encosto). Consulte *6.2 Remover o elevador de banheira, página 164*

- !** **Risco de danos**
- Não retire as ventosas quando transportar o elevador de banheira.
 - Consulte as condições de armazenamento e transporte na secção *10.4 Parâmetros ambientais, página 174*

6.2 Remover o elevador de banheira

1. Escorra a água da banheira.
2. Baixe o elevador de banheira utilizando o botão Para baixo até que o encosto fique parado na posição final mais baixa. Consulte *5.2 Controlar o elevador de banheira, página 160*
3. Desprenda a tomada de ficha jack no cabo em espiral do comando empurrando a manga de desbloqueio e retire-a da ligação jack.

4.

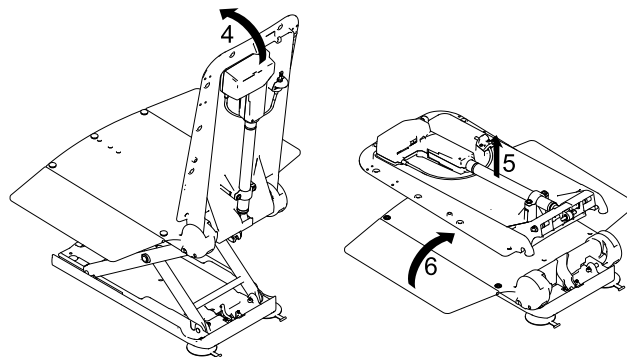


Fig. 6-1

Fixe o encosto na extremidade da cabeça com uma mão e dobre o encosto lentamente para a frente até à posição final.

- !** **Risco de danos**
- Não dobre o encosto para baixo se houver água na banheira.
 - Antes de dobrar o encosto para baixo, certifique-se de que o encosto está completamente na posição baixa.
 - Quando dobrar o encosto para baixo, assegure que o cabo em espiral do comando manual não fica preso.

5. Retire o encosto do assento e da banheira.
6. Dobre as abas laterais do assento para dentro.

7.

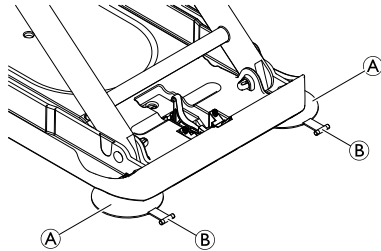




Fig. 6-2


Solte as ventosas posteriores (A) puxando as presilhas salientes (B).

 Solte as duas ventosas posteriores ao mesmo tempo.

8. Levante a parte posterior do assento ligeiramente. Deste modo, solta as ventosas dianteiras.

 Se os adaptadores de altura tiverem sido instalados (opcional), também tem de puxar as presilhas das ventosas dianteiras para as soltar.

9. Retire o chassis da base com placa de assento da banheira.

 Certifique-se de que todas as ventosas estão desprendidas antes de retirar o assento da banheira.

10. Armazene com cuidado todos os componentes do elevador de banheira.

7 Manutenção

7.1 Manutenção e inspeção

Se as recomendações de limpeza e segurança forem respeitadas, o produto não exige manutenção.



Risco de danos

O comando só pode ser aberto pelo fabricante do elevador de banheira.

1. Verifique o produto regularmente, procurando sinais de danos e assegurando que está montado de forma segura.
2. Se ocorrerem danos e/ou necessidade de reparações, contacte imediatamente o fornecedor.
3. O elevador de banheira tem de ser verificado por um fornecedor autorizado antes de cada reutilização. Recomenda-se a verificação do elevador de banheira o mais tardar após 24 meses (em conformidade com a norma DIN EN ISO 10535).
4. Se o elevador de banheira não for utilizado durante um período prolongado, carregue a bateria completamente e eleve e baixe o elevador de banheira 3 vezes sem carga. Repita este processo de 3 em 3 meses. Deste modo, ajuda a conservar a vida útil da bateria.

7.2 Limpeza e desinfeção

7.2.1 Informações gerais de segurança



ATENÇÃO!

Risco de contaminação

- Tome precauções pessoais e utilize equipamento de proteção apropriado.



ATENÇÃO!

Risco de choque elétrico e danos no produto

- Desligue o dispositivo e desligue o cabo da tomada elétrica, se aplicável.
- Quando limpar componentes eletrónicos, tenha em conta a respetiva classe de proteção quanto à entrada de água.
- Certifique-se de que evita quaisquer salpicos de água na ficha ou tomada de parede.
- Não toque na tomada com as mãos molhadas.

**IMPORTANTE!**

Métodos ou fluidos errados podem prejudicar ou danificar o produto.

- Todos os agentes de limpeza e desinfetantes utilizados têm de ser eficazes, compatíveis entre si e passíveis de proteger os materiais aos quais são aplicados para limpeza.
- Nunca utilize líquidos corrosivos (alcalinos, ácidos, etc.) ou agentes de limpeza abrasivos. Recomendamos um agente de limpeza doméstico normal, como, por exemplo, detergente da loiça, se não houver especificações em contrário nas instruções de limpeza.
- Nunca utilize um solvente (diluyente celulósico, acetona, etc.) que altere a estrutura do plástico ou dissolva as etiquetas afixadas.
- Certifique-se sempre de que o produto está completamente seco antes de o pôr novamente em funcionamento.



Para a limpeza e desinfeção em ambientes de cuidados clínicos ou de longa duração, siga os procedimentos internos.

7.2.2 Intervalos de limpeza**IMPORTANTE!**

A limpeza e a desinfeção regulares melhoram o funcionamento correto, aumentam a vida útil e evitam a contaminação.

Limpe e desinfete o produto

- regularmente enquanto está a ser utilizado,
- antes e depois de qualquer operação de assistência,
- depois de ter estado em contacto com quaisquer fluidos corporais
- e antes da sua utilização por um novo utilizador.

7.2.3 Instruções de limpeza

O produto pode ser limpo utilizando detergentes disponíveis comercialmente.

Limpar o assento e o encosto**ATENÇÃO!****Risco de trilhadeira**

- Tenha especial cuidado quando limpar a área das tesouras de elevação, uma vez que estas se podem mover e causar lesões.

**Risco de danos**

- Nunca utilize um dispositivo de limpeza de alta pressão para limpar o encosto.

1. Lave o produto com um pano ou uma escova.
2. Enxague o produto com água quente.

3. Seque o produto com um pano.
4. Lubrifique levemente a calha para o calço de deslizamento (consulte a Fig. 3.1, etiqueta ⓘ na secção 3.3 Componentes, página 153) utilizando vaselina.

Limpar as capas (opcional)

! Recomenda-se a lavagem das capas antes da primeira utilização. Por motivos de higiene, recomenda-se a limpeza regular das capas e a mudança das capas anualmente.

1. Desabotoe as capas do assento e do encosto.
2. Lave as capas na máquina a uma temperatura máxima de 60 °C, usando um detergente suave.



Risco de danos

- A lavagem a temperaturas elevadas pode causar danos ou o encolhimento da capa.
- Não seque as capas numa máquina de secar roupa.

Limpar o carregador e o comando



ADVERTÊNCIA!

Risco de choque elétrico

- Desligue sempre a ficha da tomada antes de limpar o carregador.
- Nunca insira objetos feitos de materiais condutores (por exemplo, agulhas de coser, pinos de metal) na tomada de ficha jack do comando.
- Nunca utilize um pano molhado ou húmido para limpar o carregador.

1. Limpe o carregador com um pano seco.
2. Limpe o comando com um pano húmido.
3. Utilize um pano seco para secar o comando.

7.2.4 Disinfection Instructions



Information on recommended disinfectants and methods can be found on <https://vah-online.de/en/for-users>.

In Domestic Care

Method: Follow the application notes for the used disinfectant and wipe-disinfect all accessible surfaces.

Disinfectant: Ordinary household disinfectant.

Drying: Allow the product to air-dry.

In Clinical and Long Term Care

Follow your in-house disinfection procedures and only use the disinfectants and methods specified therein.

8 Após a utilização

8.1 Armazenamento



Risco de danos

- Não armazene o produto junto a fontes de calor.
- Não armazene a bateria junto a chamas abertas.
- Não exponha o produto a luz solar direta.
- Consulte as condições de armazenamento e transporte na secção *10.4 Parâmetros ambientais, página 174*

8.2 Recondicionamento

Este produto é adequado para reutilização. Para o recondicionamento do produto para um novo utilizador, execute as seguintes ações:

- Inspeção
- Limpeza e desinfeção

Para obter informações detalhadas, consulte o capítulo *7 Manutenção, página 166* e o manual de assistência para este produto.

Certifique-se de que o manual de utilização é fornecido com o produto.

Se forem detetados danos ou avarias, não reutilize o produto.

8.3 Eliminação



ADVERTÊNCIA!

Perigo ambiental

- O dispositivo contém baterias. Este produto pode conter substâncias que podem ser prejudiciais para o ambiente, se for eliminado em locais (aterros) que não estejam em conformidade com a legislação.
- NÃO elimine as baterias juntamente com o lixo doméstico comum.
 - NÃO atire baterias para o fogo.
 - As baterias TÊM DE ser entregadas a uma instalação de eliminação adequada. A devolução das baterias é exigida por lei e gratuita.
 - Elimine apenas baterias descarregadas.
 - Tape os terminais das baterias de lítio antes da eliminação.
 - Para obter informações sobre o tipo de bateria, consulte a etiqueta da bateria ou o capítulo *10 Características Técnicas, página 173*

Seja amigo do ambiente e recicle este produto no fim da respetiva vida útil através das instalações de reciclagem existentes.

Desmonte o produto e os seus componentes, para que os diferentes materiais possam ser separados e reciclados individualmente.

A eliminação e a reciclagem de produtos utilizados e da embalagem devem cumprir as leis e os regulamentos relativos à gestão de resíduos de cada país. Para obter

informações, contacte a sua empresa de gestão de resíduos local.

9 Resolução de problemas

9.1 Identificar e reparar falhas



A tabela seguinte faculta informações sobre avarias e as suas causas possíveis. Se não conseguir corrigir a avaria utilizando as soluções indicadas, contacte diretamente o seu fornecedor.

Falha	Causa possível	Solução
Não se ouve ruído a partir do motor/o elevador não se move.	A tomada de ficha jack do comando não está engatada corretamente.	Engate a tomada de ficha jack, → 4.2 <i>Configurar o elevador de banheira, página 155</i>
	A bateria está sem energia.	Recarregue a bateria completamente, → 4.3 <i>Carregar a bateria, página 159</i>
	Os contactos estão sujos.	Limpe a ficha no encosto. Se necessário, contacte o seu fornecedor.
	O cabo está esmagado/danificado.	Substitua o comando. Se necessário, contacte o seu fornecedor.
O elevador sobe, mas não desce.	A proteção de baixa tensão está ativada.	Recarregue a bateria completamente, → 4.3 <i>Carregar a bateria, página 159</i>
O elevador para enquanto está a subir.	Carga excessiva.	Tenha em atenção a carga máxima, → 10.1 <i>Dimensões e peso, página 173</i>
O elevador de banheira não está a aderir com segurança à banheira.	As ventosas estão velhas ou danificadas.	Substitua as ventosas. Se necessário, contacte o seu fornecedor.
A bateria não está a carregar e a luz indicadora vermelha pisca durante o carregamento.	Componentes eletrónicos avariados.	Solicite ao seu fornecedor autorizado a verificação do comando.
	Bateria avariada.	Substitua o comando.

Falha	Causa possível	Solução
	Carregador avariado.	Solicite ao seu fornecedor autorizado a verificação do carregador.
	A bateria está demasiado quente.	Não carregue o comando junto a fontes de calor, como elementos de aquecimento, sob a luz solar direta. O carregamento continuará automaticamente assim que a temperatura baixar até limites admissíveis.

10 Características Técnicas

10.1 Dimensões e peso

Comprimento total na posição mais baixa	920 mm
Comprimento total na posição mais elevada	650 mm
Altura total na posição mais elevada	1075 mm
Comprimento do assento	590 mm
Largura do assento com as abas laterais dobradas para fora	715 mm
Largura do assento com as abas laterais dobradas para dentro	390 mm
Altura do assento na posição mais baixa	60 mm
Altura do assento na posição mais elevada	420 mm
Largura do encosto	360 mm
Ângulo mínimo do encosto	8°
Largura da placa de base	295 mm
Carga máx. (ORCA / ORCA F) Carga máx. (ORCA XL)	140 kg 170 kg
Peso total sem o comando manual (ORCA) (ORCA F) (ORCA XL)	10,8 kg 11,4 kg 11,6 kg
Peso do assento (ORCA) (ORCA F) (ORCA XL)	6,6 kg 7,2 kg 7,4 kg

Peso do encosto (ORCA / ORCA F / ORCA XL)	4,2 kg
Peso do comando manual	0,4 kg
Peso do carregador	0,1 kg

10.2 Dados eletrônicos

Força de ativação dos botões do comando	< 5 N
Tensão de funcionamento do comando ¹⁾	11,1 VCC / 10,95 VCC / 10,8 VCC
Corrente de entrada nominal ¹⁾	44 VA/43 VA
Corrente nominal	4 A
Tipo de bateria	Iões de lítio
Entrada do carregador	100 - 240 VCA, 50 - 60 Hz
Saída do carregador	24 VCC, 135 mA, 3 VA
Tempo de carregamento a partir da advertência de tensão baixa	aprox. 4,5 h
Tipo de proteção, tração	IP X6 W ²⁾
Tipo de proteção, comando	IP 67 ³⁾
Tipo de proteção, dispositivo completo	IP X6 ⁴⁾
Nível de potência sonora	52 dB(A)

O atuador não se desliga quando o produto está com sobrecarga. Não sobrecarregue o elevador de banheira para evitar danos.

1) 11,1 VCC/44 VA é válido ao utilizar comandos com tensão de 11,1 V, indicada na parte de trás do comando.
10,95 VCC/44 VA é válido ao utilizar comandos com tensão de 10,95 V, indicada na parte de trás do comando.
10,8 VCC/43 VA é válido ao utilizar comandos com tensão de 10,8 V, indicada na parte de trás do comando.

2) Protegido contra a entrada de água na eventualidade de fortes jatos de água, testado sob condições meteorológicas estipuladas.

3) À prova de pó e protegido contra a entrada de água durante imersão temporária.

4) Protegido contra a entrada de água na eventualidade de fortes jatos de água.

10.3 Materiais

Encosto	PP/FV (polipropileno com fibra de vidro)
Placa de assento	PP/FV
Capas	PVC (policloreto de vinilo)



Todos os materiais utilizados são resistentes à corrosão e isentos de látex.

10.4 Parâmetros ambientais

Condições de funcionamento	
Temperatura ambiente	10 - 40 °C
Humidade relativa	15% - 93%, sem condensação
Pressão atmosférica	795 - 1060 hPa
Condições de transporte e armazenamento	
Temperatura ambiente	0 - 40 °C
Humidade relativa	30% - 75%, sem condensação
Pressão atmosférica	795 - 1060 hPa

Inhoudsopgave

Deze handleiding dient te worden overhandigd aan de gebruiker van het product. Lees deze handleiding VÓÓR u het product gebruikt en bewaar hem voor eventuele raadplegingen in de toekomst.

1 Algemeen	.176
1.1 Inleiding	.176
1.2 Symbolen in deze handleiding	.176
1.3 Garantie	.176
1.4 Naleving	.177
1.4.1 Productspecifieke normen	.177
1.5 Levensduur	.177
1.6 Aansprakelijkheidsbeperking	.177
2 Veiligheid	.178
2.1 Veiligheidsinformatie	.178
2.2 Veiligheidsinformatie over elektromagnetische compatibiliteit	.179
2.3 Labels en symbolen op het product	.180
3 Productoverzicht	.181
3.1 Productbeschrijving	.181
3.2 Beoogd gebruik	.181
3.3 Onderdelen	.181
4 Montage	.183
4.1 Veiligheidsinformatie	.183
4.2 De badlift monteren	.183
4.3 Accu wordt opgeladen	.187
5 Gebruik	.188
5.1 Veiligheidsinformatie	.188
5.2 De badlift bedienen	.188
5.3 In bad gaan	.190
6 Transport	.192
6.1 Veiligheidsinformatie	.192

6.2 De badlift verwijderen	.192
7 Onderhoud	.194
7.1 Onderhoud en inspectie	.194
7.2 Reiniging en desinfectie	.194
7.2.1 Algemene veiligheidsinformatie	.194
7.2.2 Reinigingsintervallen	.195
7.2.3 Reinigingsinstructies	.195
7.2.4 Instructies voor desinfecteren	.196
8 Na gebruik	.197
8.1 Opslag	.197
8.2 Geschikt maken voor hergebruik	.197
8.3 Afvoeren	.197
9 Problemen oplossen	.199
9.1 Storingen identificeren en oplossen	.199
10 Technische Specificaties	.201
10.1 Afmetingen en gewicht	.201
10.2 Elektronische gegevens	.201
10.3 Materialen	.202
10.4 Omgevingsparameters	.202

1 Algemeen

1.1 Inleiding

Deze gebruikershandleiding bevat belangrijke informatie over het gebruik van dit product. Lees de gebruikershandleiding aandachtig door en volg de veiligheidsinstructies, zodat u zeker weet dat u het product veilig gebruikt.

Omdat dit document betrekking heeft op alle beschikbare modellen (op de datum waarop dit document is gedrukt), zijn mogelijk niet alle delen relevant voor uw product. Indien niet expliciet anders wordt vermeld, verwijst elk hoofdstuk in dit document naar alle modellen van het product.

De modellen en uitvoeringen die in uw land beschikbaar zijn, zijn te vinden in de verkoopdocumenten van het desbetreffende land.

Invacare behoudt zich het recht voor om productspecificaties zonder voorafgaande kennisgeving te wijzigen.

Controleer voordat u dit document leest of u de juiste versie hebt. U vindt een pdf-bestand met de laatste versie op de Invacare-website.

Als u de lettergrootte in de gedrukte versie van het document moeilijk kunt lezen, kunt u een pdf-versie downloaden van de website. In de pdf-versie kunt u de letters op het scherm aanpassen tot een grootte die u prettiger vindt.

Neem voor meer informatie over het product, bijvoorbeeld meldingen over productveiligheid en teruggeroepen producten, contact op met uw Invacare-vertegenwoordiger. Zie de adressen aan het einde van dit document.

In geval zich een ernstig incident met het product voordoet, dient u de fabrikant en de bevoegde instantie in uw land daarvan op de hoogte te brengen.

1.2 Symbolen in deze handleiding

In deze handleiding worden waarschuwingen aangeduid met symbolen. De waarschuwingssymbolen worden vergezeld van een kop die de ernst van het gevaar aangeeft.



WAARSCHUWING

Duidt op een gevaarlijke situatie die kan leiden tot ernstig letsel of overlijden als de situatie niet wordt vermeden.



VOORZICHTIG

Duidt op een gevaarlijke situatie die kan leiden tot licht of klein letsel als de situatie niet wordt vermeden.



BELANGRIJK

Duidt op een gevaarlijke situatie die kan leiden tot materiële schade als de situatie niet wordt vermeden.



Tips en adviezen

Hier worden nuttige tips, adviezen en informatie voor efficiënt, probleemloos gebruik gegeven.

1.3 Garantie

Wij bieden voor dit product een fabrieksgarantie in overeenstemming met onze Algemene Voorwaarden in de respectievelijke landen. Garantieclaims kunnen alleen

worden ingediend via de leverancier bij wie u het apparaat hebt gekocht.

Hoezen en zuignappen vallen niet onder deze garantie.

1.4 Naleving

Kwaliteit is cruciaal bij onze bedrijfsactiviteiten, waarbij wordt gewerkt binnen de normen van ISO 13485.

Dit product is voorzien van het CE-merkteken conform Verordening 2017/745 betreffende medische hulpmiddelen, klasse 1. De introductiedatum van dit product staat vermeld in de CE-conformiteitsverklaring.

Wij werken er continu aan om ervoor te zorgen dat het effect van het bedrijf op het milieu, zowel lokaal als internationaal, zo veel mogelijk wordt beperkt.

Wij maken uitsluitend gebruik van materialen en onderdelen die voldoen aan de REACH-richtlijnen.

Wij leven de huidige milieuwetgevingen AEEA en RoHS na.

1.4.1 Productspecifieke normen

Het product voldoet aan de eisen van de norm DIN EN ISO 10535 (Tilliften voor het verplaatsen van gehandicapten).

Neem voor meer informatie contact op met Invacare in uw land (zie de adressen achter in deze handleiding).

1.5 Levensduur

De verwachte levensduur van dit product is vijf jaar bij dagelijks gebruik en in overeenstemming met de veiligheidsinstructies, onderhoudstermijnen en bij correct

gebruik, zoals aangegeven in deze handleiding. De effectieve levensduur kan variëren afhankelijk van de frequentie en intensiteit van het gebruik.

1.6 Aansprakelijkheidsbeperking

Invacare aanvaardt geen aansprakelijkheid voor schade veroorzaakt door:

- Niet in acht nemen van de gebruikershandleiding
- Verkeerd gebruik
- Normale slijtage
- Verkeerde montage of afstelling door de koper of een derde
- Technische aanpassingen
- Niet-geautoriseerde wijzigingen en/of gebruik van ongeschikte reserveonderdelen

2 Veiligheid

2.1 Veiligheidsinformatie



WAARSCHUWING!

Kans op ernstig letsel of schade

Verkeerd gebruik van dit product kan leiden tot schade of lichamelijk letsel.

- Als u de waarschuwingen, aanwijzingen of instructies niet begrijpt, neem dan contact op met een professionele zorgverlener of leverancier voordat u dit hulpmiddel gebruikt.
- Gebruik dit product of de beschikbare optionele apparatuur alleen als u deze instructies en het eventuele aanvullende instructiemateriaal volledig hebt doorgelezen en begrepen, met inbegrip van de gebruikershandleiding, servicehandleidingen of instructiebladen die bij dit product of de optionele apparatuur worden verstrekt.



WAARSCHUWING!

Kans op lichamelijk letsel

- Niet gebruiken indien defect.
- Neem direct contact op met uw leverancier in geval van een defect.
- Voer geen ongeautoriseerde wijzigingen of aanpassingen uit op het product.
- Ga nooit op de badlift staan om in of uit het bad te stappen, gebruik de badlift nooit om te klimmen of af te dalen en gebruik deze ook niet als een liftplatform of enig ander vergelijkbaar doel.



WAARSCHUWING!

- Vóór het eerste gebruik moet het product grondig worden gereinigd.
- Controleer het product vóór elk gebruik op schade en controleer of het stevig is gemonteerd.

**LET OP!****Gevaar voor lichamelijk letsel**

Niet-originele of verkeerde onderdelen kunnen de werking en veiligheid van het product nadelig beïnvloeden.

- Gebruik alleen originele onderdelen voor het product dat u gebruikt.
- Omdat er verschillen zijn per regio, kunt u het beste de Invacare-catalogus of -website in uw regio raadplegen voor de beschikbare opties. U kunt ook contact opnemen met uw lokale Invacare-vertegenwoordiger. Zie de adressen achter in dit document.

2.2 Veiligheidsinformatie over elektromagnetische compatibiliteit

**WAARSCHUWING!****Risico op storing als gevolg van elektromagnetische interferentie**

Er kan elektromagnetische interferentie optreden tussen dit product en andere elektrische apparatuur. De elektrische afstelfuncties van dit product kunnen hierdoor verstoord worden. U kunt elektromagnetische interferentie op de volgende manieren voorkomen of verminderen:

- Gebruik alleen originele accessoires en reserve-onderdelen. Zo neemt de elektromagnetische emissie niet toe en neemt de elektromagnetische immuniteit van dit product niet af.
- Houd draagbare RF-communicatieapparatuur op ten minste 30 cm van de onderdelen van dit product (inclusief kabels).
- Gebruik dit product niet in de buurt van actieve hoogfrequente chirurgische apparatuur of een voor RF-straling afgeschermd MRI-ruimte, waar elektromagnetische storingen in hoge mate aanwezig zijn.
- Als er sprake is van storingen, vergroot u de afstand tussen dit product en de overige apparatuur of schakelt u deze uit.



WAARSCHUWING!

Risico op storing

Elektromagnetische interferentie kan een onjuiste werking tot gevolg hebben.

- Gebruik dit product niet naast of gestapeld met andere elektrische apparatuur. Als het toch nodig is dit product op dergelijke wijze te gebruiken, moet u de werking van het product en de andere apparatuur goed in de gaten houden.

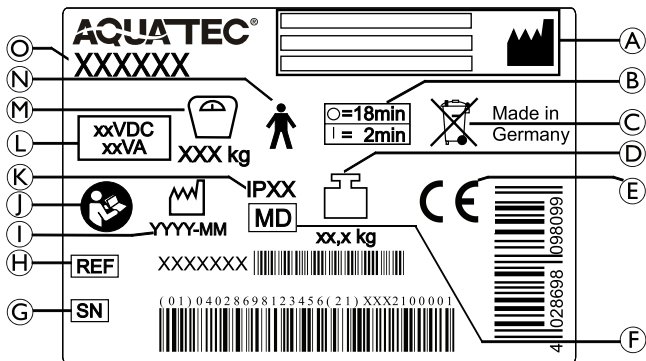


Wij zijn niet op de hoogte van de risico's bij gebruik van producten zoals een pacemaker.

2.3 Labels en symbolen op het product

Identificatie

Het typeplaatje bevat belangrijke informatie:



Ⓐ	Fabrikant en adres fabrikant
Ⓑ	Periodiek gebruik (de motor mag niet continu zijn ingeschakeld): max. 2 minuten doorlopend gebruik, gevolgd door een pauze van 18 minuten
Ⓒ	Opmerking (afvoer)
Ⓓ	Gewicht van product
Ⓔ	Conformiteit met Europese normen
Ⓕ	Medisch hulpmiddel
Ⓖ	Serienummer
Ⓗ	Referentienummer
Ⓘ	Fabricagedatum
Ⓙ	Lees de gebruiksaanwijzing
Ⓚ	Type bescherming
Ⓛ	Nominale ingangsspanning / nominaal vermogen; zie 10 Technische Specificaties, pagina 201
Ⓜ	Maximaal gebruikersgewicht
Ⓝ	Type B-apparaat
Ⓞ	Productaanduiding



Het typeplaatje is op de achterkant van rugleuning aangebracht.

3 Productoverzicht

3.1 Productbeschrijving

De Aquatec ORCA, ORCA F en ORCA XL zijn badliften op accuvoeding die hulp bieden bij het in en uit bad gaan. De badliften bestaan uit een zitplaat met ingebouwde zijflappen en een slipvast oppervlak.

De ORCA en ORCA XL hebben een onbuigzame rugleuning die met een afstandsbediening omlaag kan worden gebracht. De ORCA F heeft een vaste rugleuning. Een zittinghoes en rugbekleding zijn optioneel verkrijgbaar voor alle modellen.

Alle modellen zijn voorzien van een afstandsbediening waarmee de zitting omhoog of omlaag kan worden gebracht.

De rugleuning kan worden voorzien van zijsteunen voor meer ondersteuning en veiligheid.

3.2 Beoogd gebruik

De Aquatec ORCA, ORCA F en ORCA XL zijn bedoeld als hulpmiddel om veilig en zonder moeite in of uit bad te stappen.

Beoogde gebruikers

Het product is bedoeld voor iedereen met beperkte bewegingsmogelijkheden (van bijv. de benen of de heupen). Indien het hulpmiddel zonder begeleiding wordt gebruikt, moeten gebruikers hun evenwicht kunnen bewaren.

Indicaties

- Beperkte mobiliteit (bijv. van de benen en/of heupen)
- Evenwichtsproblemen bij het opstaan of lopen als gevolg van een tijdelijke of permanente handicap

Contra-indicaties

Er zijn geen contra-indicaties bekend bij gebruik van het product zoals bedoeld.

Het maximale gebruikersgewicht is:

- 140 kg (ORCA/ORCA F)
- 170 kg (ORCA XL)

3.3 Onderdelen

De volgende onderdelen zijn inbegrepen in de levering:

Handbediening en lader

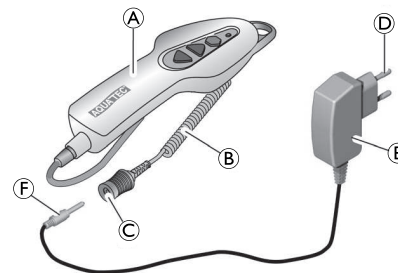


Fig. 3-1

- | | |
|--------------------------|-------------------------|
| Ⓐ Handbediening met accu | Ⓓ Stekker voor lichtnet |
| Ⓑ Spiraalkabel | Ⓔ Lader |
| Ⓒ Stekkeropening | Ⓕ Contactstekker |

Zitting

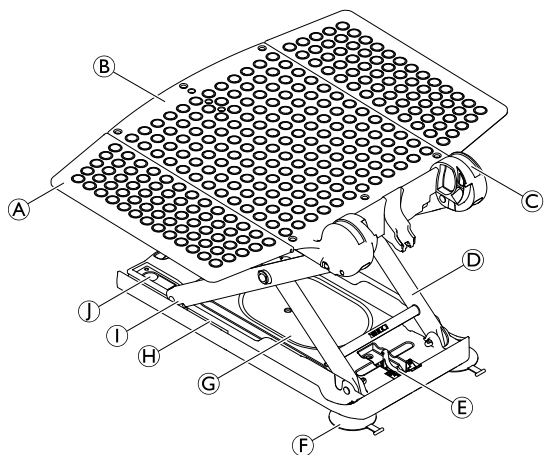


Fig. 3-2

- | | |
|-----------------------------|---|
| Ⓐ Zijflap | Ⓕ Zuignappen achter (met schroefdraad) |
| Ⓑ Zitplaat | Ⓖ Basisplaat |
| Ⓒ Scharnier voor rugleuning | Ⓗ Geleider voor glij schoen |
| Ⓓ Liftarmen | Ⓘ Glij schoen |
| Ⓔ Houder van spilvoet | ⓵ Zuignappen voor (één lipje met greep) |

Rugleuning

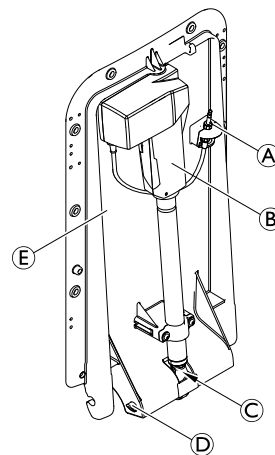


Fig. 3-3

- | | |
|------------------|---------------------|
| Ⓐ Contactstekker | Ⓓ Vergrendelingspin |
| Ⓑ Aandrijving | Ⓔ Plaat, rugleuning |
| Ⓒ Spilvoet | |

4 Montage

4.1 Veiligheidsinformatie



Gevaar voor beschadiging

- Controleer alle onderdelen op transportschade en controleer ze nogmaals vóór gebruik. Neem zo nodig contact op met uw leverancier.
- Houd er bij de montage rekening mee dat alle onderdelen juist geplaatst dienen te worden zodat er geen beschadigingen optreden.
- Het wordt aanbevolen om de bekleding vóór het eerste gebruik te wassen; zie hoofdstuk 7.2 *Reiniging en desinfectie, pagina 194*

4.2 De badlift monteren



WAARSCHUWING!

Risico op uitglijden

- De badlift kan gaan glijden als de zuignappen onvoldoende grip hebben.
- Reinig de badkuip en de zuignappen met een vochtige doek voordat u de badlift gaat monteren.
 - Verplaats de badlift niet wanneer deze eenmaal op zijn plaats is gemonteerd.



WAARSCHUWING!

Risico op letsel en beschadiging!

- Plaats de badlift alleen in badkuipen die voldoen aan de specificaties zoals vermeld in de volgende tabel.
- Als het bad is uitgerust met een laterale overflow, kunt u de speciale zijflappen (verkrijgbaar als accessoire) gebruiken.

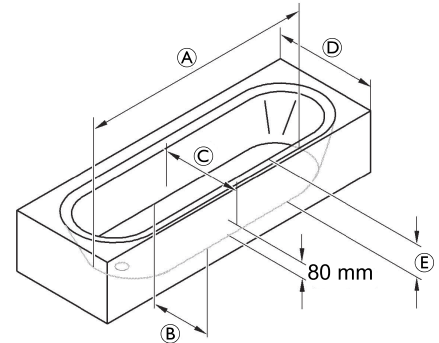


Fig. 4-1

Ⓐ	Lengte van badkuip, bodem	≥ 800 mm
Ⓑ	Breedte van badkuip, bodem (binnenzijde)	≥ 280 mm

©	Breedte van badkuip, bij een diepte van 80 mm (binnenzijde)	≥ 430 mm
©	Breedte van badkuip, (buitenzijde)	580 - 690 mm (met speciale zijflappen) 700 - 740 mm (met standaard zijflappen) 750 - 1000 mm (met speciale zijflappen)
©	Diepte van badkuip (binnenzijde)	≤ 420 mm (met hoogte adapter, max. + 60 mm)



Gevaar voor beschadiging

- Controleer of de zuignappen goed zijn bevestigd.
- Controleer of de accu in de handbediening is opgeladen.
- Houd bij het optillen van de onderdelen van de badlift rekening met het gewicht ervan; zie hoofdstuk 10.1 *Afmetingen en gewicht, pagina 201*
- Als er aan de binnenkant van de badkuip een handgreep is bevestigd, kunt u de zijflaphulpstukken (leverbaar als accessoire) gebruiken.
- Vouw de zijflappen naar buiten voordat u de rugleuning omhoog klapt.

1.

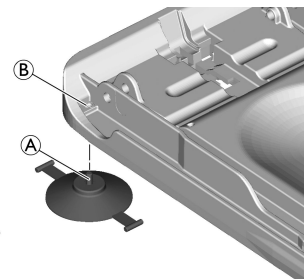


Fig. 4-2

Plaats de achterste zuignap met de bout ① op de draadbus ② en draai de zuignap in de bus. Draai zo vast dat de zuignap zich in dezelfde stand bevindt als op de afbeelding.

2.

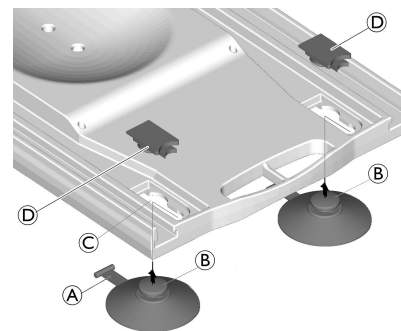


Fig. 4-3

Steek pin ① door opening ③ en plaats de pin in de daartoe bestemde uitsparing. Duw de kop van zuignap ② door opening ③ en trek de

zuignap naar voren.
Zet de zuignap vast met het rode afdekkapje ④.

3.

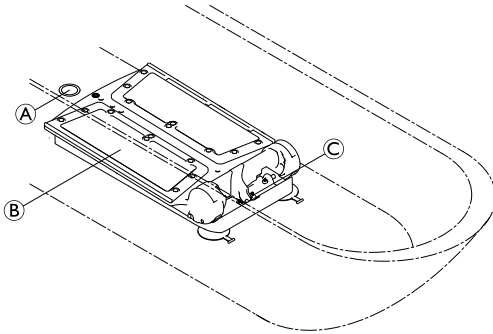


Fig. 4-4

Plaats de zitting ⑤ op de bodem van een lege badkuip. Zorg ervoor dat de spilvoethouder ③ in de richting van het voeteneinde van de badkuip tegenover de afvoer ① staat.

4.

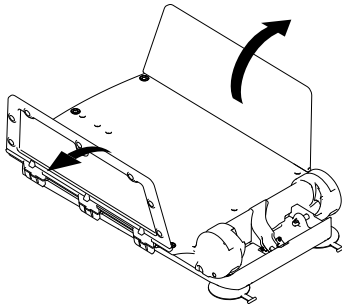


Fig. 4-5

Vouw de zijflappen van de zitting naar buiten.

5.

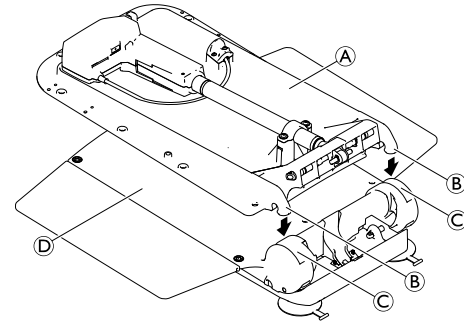


Fig. 4-6

Plaats de rugleuning ① (zonder de handbediening) op de zitting, zodat de haken ② van de rugleuning in de scharnieren ③ van de zitplaat ④ passen.

6.



Gevaar voor beschadiging

Beschadiging van het product als gevolg van het wegglijden van de spilvoet.

- Zorg ervoor dat de spil volledig is ingetrokken en dat de spilvoet waterpas staat en niet is gedraaid voordat u de rugleuning omhoog klapt.
- Als de rugleuning omhoog is geklapt, controleert u of de spilvoet goed in de houder is bevestigd.

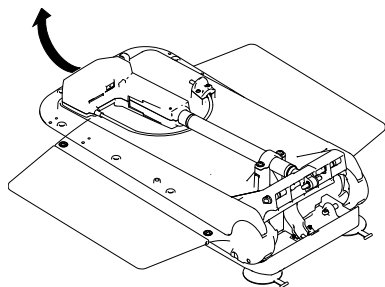


Fig. 4-7

Houd de rugleuning in het midden van het hoofdeinde vast en klap de rugleuning omhoog naar de eindpositie.

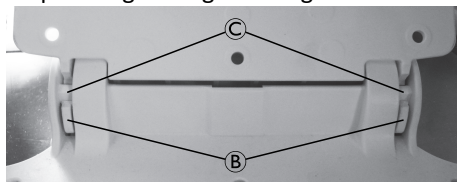


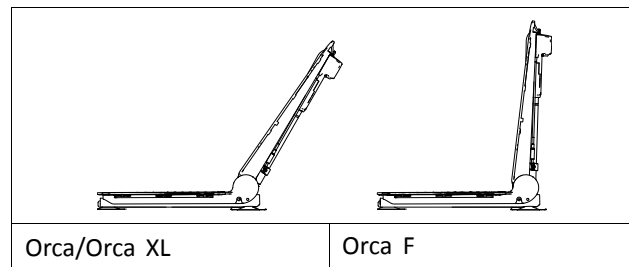
Fig. 4-8



Gevaar voor beschadiging

Beschadiging van het product vanwege verkeerd monteren van de rugleuning.

- Zorg ervoor dat beide haken B van de rugleuning vastklikken in de scharnieren C van de zitplaat.
- De rugleuning moet omhoog worden geklapt naar de eindpositie zonder daarbij te veel kracht uit te oefenen en weerstand te voelen. De eindpositie wordt in de volgende afbeelding aangegeven.



7.

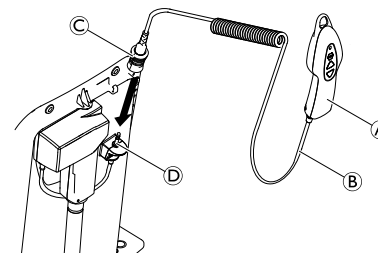


Fig. 4-9

Als u de handbediening A op de badlift wilt aansluiten, bevestig dan de stekkeropening met de ontgrendelingshuls C op contactstekker D totdat het vergendelmechanisme vastklikt.



Gevaar voor beschadiging

- Zorg ervoor dat de rugleuning de rand van het bad niet raakt.
- Plaats de badlift zo nodig verder naar voren in het bad. Als u de badlift verder naar voren in het bad wilt plaatsen, laat dan de badlift tot op de bodem van het bad zakken, maak de zuignappen los en verplaats de badlift.

4.3 Accu wordt opgeladen

De badlift kan niet worden gebruikt wanneer de accu wordt opgeladen.



WAARSCHUWING!

Risico op elektrische schokken

- Laad de accu alleen op in droge ruimtes, bij kamertemperatuur (15 tot 25 °C) en nooit in de badkamer.



Gevaar voor beschadiging

- Gebruik voor het opladen van de accu in de handbediening alleen de bijgeleverde lader.
- Sluit de lader alleen aan op het lichtnet als de handbediening is aangesloten op de lader.
- Controleer of de spanningspecificaties op de lader overeenkomen met die van het lichtnet.

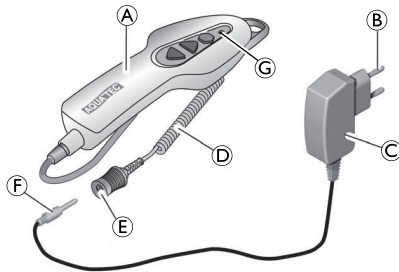


Fig. 4-10

1. Steek de contactstekker ⑥ van de lader ③ in de stekkeropening ⑤ van de spiraalkabel ④ van de handbediening ① totdat deze contact maakt.
2. Steek de netstekker ② van de lader in een contactdoos.



Het rode indicatorlampje ⑦ op de handbediening gaat uit wanneer de accu volledig is opgeladen. Overladen van de accu is niet mogelijk.

3. Haal de lader uit de contactdoos.
4. Trek de contactstekker van de lader uit de stekkeropening van de handbediening.

5 Gebruik

5.1 Veiligheidsinformatie



LET OP!

Gevaar voor letsel of beschadiging

Er kan vocht binnendringen in een beschadigde handbediening, wat kan leiden tot kortsluiting en brand.

- Voer altijd en voor elk gebruik een visuele inspectie uit van het product op externe beschadigingen.
- Als de behuizing van de handbediening is beschadigd of als er barsten zichtbaar zijn, mag de handbediening niet worden gebruikt.



LET OP!

Beknellingsgevaar

- Plaats geen vingers in de geleiding tussen de zittingplaat en de rugleuning.
- Steek geen ledematen onder de zitplaat of tussen de hefarmen.



Gevaar voor beschadiging

Overbelasting van de badlift kan leiden tot schade aan de apparatuur of niet-functioneren van de lift.

- Zorg dat u de badlift niet overbelast; neem de specificaties op het typeplaatje in acht of raadpleeg *10 Technische Specificaties, pagina 201* met betrekking tot de laadcapaciteit.



Laad de accu regelmatig op; zie *3,4 De accu opladen in 4 Montage, pagina 183*



Raadpleeg *10.4 Omgevingsparameters, pagina 202* voor meer informatie over de gebruiksomstandigheden.

5.2 De badlift bedienen

De badlift kan in de volgende richtingen worden verplaatst:



Fig. 5-1

De badlift wordt door de gebruiker of een begeleider met de handbediening bediend.



Met volledig opgeladen accu kunnen de ORCA en ORCA F vijf badprocedures uitvoeren met een belasting van 140 kg. De ORCA XL kan vier badprocedures uitvoeren met een belasting van 170 kg.

- Ⓐ Noodstopknop
- Ⓑ Knop Omhoog
- Ⓒ Handbediening
- Ⓓ Knop Omlaag
- Ⓔ Indicatorlampje

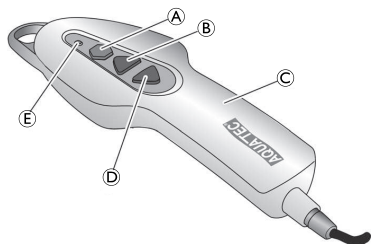


Fig. 5-2

! Gevaar voor beschadiging

– Gebruik de handbediening alleen als de rugleuning op de juiste manier is geplaatst en omhoog is geklapt.

i Als de accu van de handbediening Ⓒ niet volledig is opgeladen, gaat het indicatorlampje Ⓔ rood branden wanneer er op de knop Omlaag Ⓓ wordt gedrukt. Als dat het geval is, wordt de functie voor neerlaten van de badlift uitgeschakeld. De lift kan dan nog wel omhoog worden gebracht.

1. Laad de accu meteen op wanneer u de badlift weer omhoog hebt gebracht.

De badlift omhoog brengen

i Als de rugleuning naar achteren staat, beweegt deze eerst naar de rechtopstaande stand (niet bij het model ORCA F).

1. Druk op de knop Omhoog Ⓑ op de handbediening en houd deze knop ingedrukt. De rugleuning gaat naar de stand rechtop of de zitting gaat omhoog.
2. Laat de knop Omhoog op de handbediening los. De badlift stopt in de huidige stand.

De badlift omlaag brengen

i Als u de zitting al naar beneden hebt laten zakken, zakt de rugleuning naar achteren (niet op het model ORCA F).

1. Druk op de knop Omlaag Ⓓ op de handbediening en houd deze knop ingedrukt. De zitting zakt of de rugleuning kantelt naar achteren.
2. Laat de knop Omlaag op de handbediening los. De badlift stopt in de huidige stand.


Noodstopknop

! Gevaar voor beschadiging

Druk alleen op de noodstopknop Ⓐ als het apparaat niet meteen stopt wanneer u de knop Omhoog of Omlaag loslaat (bijvoorbeeld omdat er een knop vastzit). De badlift stopt onmiddellijk met bewegen en het indicatorlampje op de handbediening gaat branden.

Als het rode indicatorlampje uitgaat wanneer u de noodstopknop loslaat, is de fout opgelost (de knop werkt bijvoorbeeld weer). Het apparaat is weer klaar om te worden gebruikt.

Als het rode indicatorlampje aan blijft wanneer u de noodstopknop loslaat, is de fout nog niet opgelost. Het apparaat is niet klaar voor gebruik en moet worden gerepareerd. Er kan bijvoorbeeld sprake zijn van elektronische schade.

 Neem zo nodig contact op met uw leverancier.

5.3 In bad gaan



WAARSCHUWING!

Risico op uitglijden

De badlift kan gaan glijden als de zuignappen onvoldoende grip hebben.

- Controleer voor gebruik van de badlift of deze stevig staat en niet kan kantelen.
- Zorg dat de badlift in een bad met de juiste afmetingen wordt geplaatst; zie 4.2 *De badlift monteren, pagina 183*



WAARSCHUWING!

Gevaar voor lichamelijk letsel

- Als u door uw fysieke gesteldheid niet in staat bent om alleen in bad te gaan, dient u het apparaat alleen te gebruiken onder toezicht.
- Zorg dat als het apparaat zonder toezicht wordt bediend, er een alarmsysteem of telefoon onder handbereik is ingeval van onvoorziene omstandigheden (bv. storingen).
- Controleer voor gebruik van de lift de temperatuur van het badwater.



Gevaar voor beschadiging


Gebruik van badolie of -zout kan nadelige gevolgen hebben voor de prestaties van de liftarmen.

- Als u toch badolie of -zout wilt gebruiken, overschrijd dan niet de aanbevolen doses.




Breng als functietest de onbelaste lift eenmaal volledig naar boven en laat de lift vervolgens volledig naar beneden zakken.

1. Houd de knop Omhoog ingedrukt tot de zitting zich ter hoogte van de badrand bevindt.
2. Zorg dat de zijflappen zich op dezelfde hoogte als de zitting bevinden en plat op de rand van het bad liggen (beginpositie).
3. Vul het bad met water.
4. Ga op de dichtstbijzijnde zijflap zitten zoals u ook op een stoel zou gaan zitten.
5. Schuif naar achteren totdat u in het midden van de zitting zit.
6. Draai uzelf in de positie voor het baden door eerst een been over de rand van het bad te tillen en daarna het andere been.
7. Druk wanneer u goed zit op de knop Omlaag en houd deze knop ingedrukt om de zitting in het bad te laten zakken.

 Wanneer de zitting de laagste stand heeft bereikt, kan de rugleuning schuiner naar achteren worden gebracht door de knop Omlaag ingedrukt te houden. Dit zorgt voor een wat comfortabeler positie voor het nemen van uw bad en kunt u zichzelf ook dieper in het badwater laten zakken (niet op model ORCA F).

8. Houd de knop Omlaag ingedrukt totdat de rugleuning de gewenste stand heeft bereikt.

 Volg deze stappen in omgekeerde richting om uit het bad te komen.

9. Druk om de rugleuning of de badlift omhoog te brengen op de knop Omhoog en houd deze ingedrukt totdat de zitting zich op dezelfde hoogte bevindt als de rand van het bad.



Gevaar voor beschadiging

- Koppel de handbediening los van het apparaat wanneer de badlift niet wordt gebruikt; zie stap 3 in *6.2 De badlift verwijderen, pagina 192*

6 Transport

6.1 Veiligheidsinformatie

- !** **Gevaar voor beschadiging**
- De rugleuning is niet vergrendeld aan de zitting wanneer de stoel is ingeklapt, en kan losraken van de zitting.

1. Verwijder de handbediening.
2. Demonteer de badlift in twee delen voor transport (basisframe met zitplaat en rugleuning); zie 6.2 *De badlift verwijderen*, pagina 192

- !** **Gevaar voor beschadiging**
- Verwijder de zuignappen niet tijdens het verplaatsen van de badlift.
 - Raadpleeg de voorschriften voor opslag en transport in hoofdstuk 10.4 *Omgevingsparameters*, pagina 202

6.2 De badlift verwijderen

1. Laat het bad leeglopen.
2. Breng de badlift omlaag met de knop Omlaag totdat de rugleuning in de laagste eindpositie stopt; zie 5.2 *De badlift bedienen*, pagina 188
3. Maak de stekkeropening van de spiraalkabel van de handbediening open door op de ontgrendelingshuls te drukken en de afdekking van de contactstekker te trekken.

4.

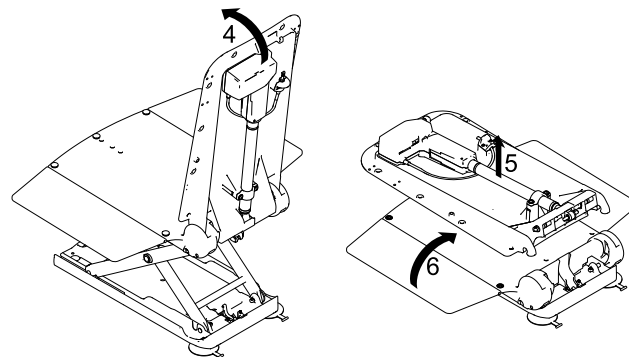


Fig. 6-1

Houd de rugleuning met één hand in het midden van het hoofdeinde vast en vouw de rugleuning langzaam naar voren tot de eindpositie.

- !** **Gevaar voor beschadiging**
- Klap de rugleuning niet in als er zich water in de badkuip bevindt.
 - Controleer voordat u de rugleuning naar beneden klapt of de rugleuning helemaal in de verlaagde stand staat.
 - Zorg er bij het naar beneden klappen van de rugleuning voor dat de spiraalkabel van de handbediening niet bekneld raakt.

5. Trek de rugleuning van de zitting omhoog en uit het bad.
6. Vouw de zijflappen van de zitting naar binnen.

7.

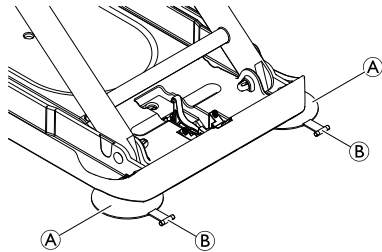




Fig. 6-2


Maak de achterste zuignappen Ⓐ los door aan de uitstekende lipjes Ⓑ te trekken.

 Trek beide achterste zuignappen tegelijkertijd los.

8. Til de achterzijde van de zitting iets omhoog. Hierdoor worden de zuignappen aan de voorkant losgetrokken.

 Als u de hoogte-adapters hebt ingesteld (optioneel), dient u ook de lipjes van de voorste zuignappen los te trekken om deze los te maken.

9. Haal het basisframe met de zitplaat uit het bad.

 Zorg dat alle zuignappen zijn losgemaakt voordat u de zitting uit het bad neemt.

10. Berg alle onderdelen van de badlift zorgvuldig op.

7 Onderhoud

7.1 Onderhoud en inspectie

Als de kennisgevingen voor reiniging en veiligheid in acht worden genomen, heeft het product geen onderhoud nodig.



Gevaar voor beschadiging

De handbediening mag alleen worden opengemaakt door de fabrikant van de badlift.

1. Controleer het product regelmatig op schade en zorg ervoor dat het stevig is gemonteerd.
2. Neem direct contact op met uw leverancier in geval van schade en/of vereiste reparatie.
3. De badlift moet worden gecontroleerd door een erkende leverancier voor elk hergebruik. Het wordt aanbevolen de badlift na uiterlijk 24 maanden te controleren (conform DIN EN ISO 10535).
4. Als de badlift langere tijd niet wordt gebruikt, moet de accu volledig worden opgeladen en moet de badlift drie keer zonder lading omhoog en omlaag worden gebracht. Herhaal dit proces elke 3 maanden. Dit helpt de levensduur van de accu te behouden.

7.2 Reiniging en desinfectie

7.2.1 Algemene veiligheidsinformatie



LET OP!

Besmettingsgevaar

- Tref voorzorgsmaatregelen voor uw eigen veiligheid en gebruik de juiste beschermingsuitrusting.



LET OP!

Risico op elektrische schokken en beschadiging van het product

- Schakel het apparaat uit en haal indien van toepassing de stekker uit het stopcontact.
- Houd bij het reinigen van elektrische onderdelen rekening met de betreffende beschermingsgraad tegen het binnendringen van water.
- Zorg dat er geen water op de stekker of het stopcontact spat.
- Raak de contactdoos niet aan als u natte handen hebt.

! **BELANGRIJK!**

Het gebruik van de verkeerde vloeistoffen of methoden kan het product aantasten of beschadigen.

- Alle gebruikte reinigingsmiddelen en desinfecteringsmiddelen moeten effectief zijn, met elkaar gecombineerd kunnen worden en de te reinigen materialen beschermen.
- Gebruik nooit bijtende vloeistoffen (zuren, basen enzovoort) of schurende reinigingsmiddelen. We raden u aan een gewoon huishoudelijk reinigingsmiddel zoals vaatwasmiddel te gebruiken, indien in de reinigingsinstructies geen ander middel wordt voorgeschreven.
- Gebruik nooit een oplosmiddel (thinner, aceton en dergelijke) waardoor de structuur van de kunststof kan veranderen of labels kunnen loslaten.
- Zorg er altijd voor dat het product volledig droog is voordat dit weer in gebruik wordt genomen.



Volg voor reiniging en desinfectie in klinische omgevingen of omgevingen voor langdurige zorg de intern ingestelde procedures.

7.2.2 Reinigingsintervallen**!** **BELANGRIJK!**

Regelmatig reinigen en desinfecteren zorgt voor een soepele werking, verhoogt de levensduur en voorkomt besmetting.

Reinig en desinfecteer dit product

- regelmatig als het wordt gebruikt;
- voor en na onderhoudswerkzaamheden;
- als het in contact is gekomen met lichaamsvocht;
- voordat een nieuwe gebruiker er gebruik van maakt.

7.2.3 Reinigingsinstructies

Het product kan worden schoongemaakt met behulp van commercieel verkrijgbare middelen.


De zitting en de rugleuning reinigen**LET OP!****Beknellingsgevaar**

- Wees met name voorzichtig bij het reinigen van het gedeelte rond de liftarmen. Deze kunnen bewegen en zo letsel veroorzaken.


**Gevaar voor beschadiging**

- Gebruik nooit een hogedrukreiniger voor het reinigen van de rugleuning.

1. Reinig het product met een doek of een borstel.
2. Spoel het product met warm water af.

3. Droog het product met een doek.
4. Vet de geleiding van de glij schoen (zie  in afb. 3.1, hoofdstuk 3.3 *Onderdelen, pagina 181*) lichtjes in met vaseline.

De bekleding reinigen (optioneel)

 Het wordt aanbevolen om de bekleding voorafgaand aan het eerste gebruik te wassen. Om hygiënische redenen wordt aangeraden de bekleding regelmatig te wassen en te verwisselen.

1. Maak de hoezen van de zitting en de rugleuning los.
2. Was de bekleding met een mild wasmiddel in de wasmachine op maximaal 60 °C.



Gevaar voor beschadiging

- Wassen op hoge temperaturen kan leiden tot beschadigen of krimpen van de bekleding.
- Droog de bekleding niet in de wasdroger.

De lader en de handbediening reinigen



WAARSCHUWING!

Risico op elektrische schokken

- Haal altijd de netstekker uit de contactdoos voordat u de lader gaat reinigen.
- Plaats nooit objecten van geleidend materiaal (bijvoorbeeld breinaalden of metalen pennen) in de stekkeropening van de handbediening.
- Gebruik nooit een natte of vochtige doek voor het reinigen van de lader.

1. Reinig de lader met een droge doek.
2. Reinig de handbediening met een vochtige doek.
3. Droog de handbediening af met een droge doek.

7.2.4 Instructies voor desinfecteren



Informatie over aanbevolen desinfectiemiddelen en -methoden vindt u op <https://vah-online.de/en/for-users>.

Verzorging thuis

Methode: volg de aanwijzingen voor het aanbrengen van het gebruikte desinfectiemiddel op en neem alle toegankelijke oppervlakken af.

Desinfectiemiddel: een standaard desinfectiemiddel voor huishoudelijk gebruik.

Drogen: Laat het product aan de lucht drogen.

Ziekenhuis en instelling voor langdurige zorg

Volg de desinfectieprocedures van uw instelling op en gebruik uitsluitend desinfectiemiddelen en -methoden die hierin worden vermeld.

8 Na gebruik

8.1 Opslag



Gevaar voor beschadiging

- Bewaar dit product niet in de buurt van warmtebronnen.
- Bewaar de accu niet in de buurt van open vuur.
- Stel dit product niet bloot aan direct zonlicht.
- Raadpleeg de voorschriften voor opslag en transport in hoofdstuk 10.4 *Omgevingsparameters, pagina 202*

8.2 Geschikt maken voor hergebruik

Dit product is geschikt voor hergebruik. Om het product voor een nieuwe gebruiker gebruiksklaar te maken, voert u de volgende handelingen uit:

- Inspectie
- Schoonmaken en desinfecteren

Zie voor meer informatie *7 Onderhoud, pagina 194* en de servicehandleiding bij dit product.

Zorg ervoor dat de gebruikershandleiding samen met het product wordt overhandigd.

Hergebruik het product niet als er schade of afwijkingen zijn geconstateerd.

8.3 Afvoeren



WAARSCHUWING!

Potentieel schadelijk voor het milieu

Dit hulpmiddel bevat accu's.

Dit product bevat mogelijk stoffen die schadelijk kunnen zijn voor het milieu wanneer ze worden achtergelaten op plaatsen (stortplaatsen) die volgens de wetgeving daarvoor niet geschikt zijn.

- Gooi de accu's NIET weg met normaal huishoudelijk afval.
- Gooi de accu's NIET in het vuur.
- De accu's MOETEN naar een daarvoor bestemd afvalverwerkingsstation worden gebracht. Het inleveren van accu's is wettelijk verplicht; er zijn geen kosten aan verbonden.
- Voer alleen lege accu's af.
- Dek bij lithiumaccu's die afgevoerd moeten worden de contactpunten af.
- Meer informatie over het soort accu vindt u op het label van de accu of in hoofdstuk 10 *Technische Specificaties, pagina 201*

Wij hopen dat u voldoende milieubewust bent om dit product na de levensduur naar een afvalverwerkingsstation te brengen.

Haal het product en de onderdelen ervan uit elkaar, zodat de verschillende materialen afzonderlijk kunnen worden gerecycled.

Gebruikte producten en verpakkingen moeten worden afgevoerd en gerecycled overeenkomstig de wet- en regelgeving voor afvalverwerking in het betreffende land.

Neem contact op met uw plaatselijke afvalverwerkingsbedrijf voor meer informatie.

9 Problemen oplossen

9.1 Storingen identificeren en oplossen



In de volgende tabel vindt u een overzicht van storingen en de mogelijke oorzaken daarvan. Als u de storing niet kunt verhelpen met behulp van de gegeven oplossingen, kunt u ook rechtstreeks contact opnemen met uw leverancier.

Storing	Mogelijke oorzaak	Oplossing
Er is geen motorgeluid te horen/de lift beweegt niet.	De stekkeropening van de handbediening is niet goed vastgeklikt.	Klik de stekkeropening vast, → 4.2 <i>De badlift monteren, pagina 183</i>
	De accu is leeg.	Laad de accu volledig op, → 4.3 <i>Accu wordt opgeladen, pagina 187</i>
	De contactpunten zijn vuil.	Maak de stekker in de rugleuning schoon, → neem indien nodig contact op met uw leverancier.
	De kabel is bekneld of beschadigd.	Vervang de handbediening, → neem indien nodig contact op met uw leverancier.
De lift kan wel omhoog worden gebracht, maar niet omlaag.	De beveiliging tegen laagspanning is geactiveerd.	Laad de accu volledig op, → 4.3 <i>Accu wordt opgeladen, pagina 187</i>
De lift stopt tijdens het naar boven brengen.	Overbelasting.	Neem de maximale belasting in acht, → 10.1 <i>Afmetingen en gewicht, pagina 201</i>
De badlift kan niet goed worden bevestigd in de badkuip.	De zuignappen zijn oud of beschadigd.	Vervang de zuignappen, → neem indien nodig contact op met uw leverancier.

Storing	Mogelijke oorzaak	Oplossing
De accu laadt niet op en het rode indicatorlampje knippert tijdens het opladen.	Defecte elektronica.	Laat uw handbediening controleren door een erkende leverancier.
	Defecte accu.	Vervang de handbediening.
	Defecte acculader.	Laat uw lader controleren door uw erkende leverancier.
	De accu wordt te heet.	Laad de handbediening niet op in de buurt van warmtebronnen, zoals verwarmingselementen of direct zonlicht. De accu wordt weer verder opgeladen zodra de temperatuur is gedaald tot de toegestane waarden.

10 Technische Specificaties

10.1 Afmetingen en gewicht

Totale lengte in laagste stand	920 mm
Totale lengte in hoogste stand	650 mm
Totale hoogte in hoogste stand	1075 mm
Lengte van zitting	590 mm
Breedte van zitting met zijflappen naar buiten gevouwen	715 mm
Breedte van zitting met zijflappen naar binnen gevouwen	390 mm
Hoogte van zitting in laagste stand	60 mm
Hoogte van zitting in hoogste stand	420 mm
Breedte van rugleuning	360 mm
Minimale hoek van rugleuning	8°
Breedte van basisplaat	295 mm
Maximale belasting (ORCA / ORCA F) Maximale belasting (ORCA XL)	140 kg 170 kg
Totaal gewicht zonder handbedieningseenheid (ORCA) (ORCA F) (ORCA XL)	10,8 kg 11,4 kg 11,6 kg

Gewicht van zitting (ORCA) (ORCA F) (ORCA XL)	6,6 kg 7,2 kg 7,4 kg
Gewicht van rugleuning (ORCA / ORCA F / ORCA XL)	4,2 kg
Gewicht van handbedieningseenheid	0,4 kg
Gewicht van lader	0,1 kg

10.2 Elektronische gegevens

Activeringsdruk voor de knoppen van de handbediening	< 5 N
Bedrijfsspanning van handbediening ¹⁾	11,1 V DC/10,95 V DC/10,8 V DC
Nominale ingangsvoeding ¹⁾	44 VA / 43 VA
Nominale stroomwaarde	4 A
Accutype	Lithium-ion
Laderinvoer	100 - 240 V AC, 50 - 60 Hz
Laderuitvoer	24 V DC, 135 mA, 3 VA
Laadtijd vanaf waarschuwing voor laagspanning	ongeveer 4,5 uur
Type beveiliging, aandrijving	IP X6 W ²⁾

Type beveiliging, handbediening	IP 67 ³⁾
Type beveiliging, hele apparaat	IP X6 ⁴⁾
Geluidsniveau	52 dB(A)

De actuator schakelt niet uit wanneer het product wordt overbelast. Zorg ervoor dat u de badlift niet overbelast om beschadigingen te voorkomen.

¹⁾ 11,1 V DC/44 VA geldt bij gebruik van handbedieningen met een voltage van 11,1 V, zoals aangegeven op de achterkant van de handbediening.

10,95 V DC/44 VA geldt bij gebruik van handbedieningen met een voltage van 10,95 V, zoals aangegeven op de achterkant van de handbediening.

10,8 V DC/43 VA geldt voor gebruik van handbedieningen met een voltage van 10,8 V, zoals aangegeven op de achterkant van de handbediening.

²⁾ Beschermd tegen indringen van water in geval van krachtige waterstralen, getest onder voorgeschreven wateromstandigheden.

³⁾ Stofbestendig en beschermd tegen indringen van water in geval van tijdelijke onderdompeling.

⁴⁾ Beschermd tegen indringen van water in geval van krachtige waterstralen.

10.3 Materialen

Rugleuning	PPGF
Zitplaat	PPGF
Afdekkingen	PVC



Alle gebruikte materialen zijn roestbestendig en latexvrij.

10.4 Omgevingsparameters

Bedrijfsomstandigheden	
Omgevingstemperatuur	10 - 40 °C
Relatieve luchtvochtigheid	15% - 93%, zonder condensvorming
Atmosferische druk	795 - 1060 hPa
Voorschriften voor opslag en transport	
Omgevingstemperatuur	0 - 40 °C
Relatieve luchtvochtigheid	30% - 75%, zonder condensvorming
Atmosferische druk	795 - 1060 hPa

Indholdsfortegnelse

Denne manual SKAL overdrages til slutbrugeren. Denne manual SKAL læses FØR brug af dette produkt og gemmes til fremtidig brug.

1 Generelt	.204
1.1 Indledning	.204
1.2 Symboler i denne manual	.204
1.3 Garanti	.204
1.4 Overensstemmelse	.205
1.4.1 Produktspecifikke standarder	.205
1.5 Servicelevetid	.205
1.6 Ansvarsbegrænsning	.205
2 Sikkerhed	.206
2.1 Sikkerhedsoplysninger	.206
2.2 Sikkerhedsoplysninger om elektromagnetisk kompatibilitet	.207
2.3 Mærkatser og symboler på produktet	.207
3 Produktoversigt	.209
3.1 Produktbeskrivelse	.209
3.2 Tiltænkt brug	.209
3.3 Komponenter	.209
4 Udpakning	.211
4.1 Sikkerhedsoplysninger	.211
4.2 Opsætning af badekarsliften	.211
4.3 Opladning af batteriet	.215
5 Brug	.216
5.1 Sikkerhedsoplysninger	.216
5.2 Styling af badekarsliften	.216
5.3 Badning	.217
6 Transport	.219
6.1 Sikkerhedsoplysninger	.219
6.2 Afmontering af badekarsliften	.219
7 Vedligeholdelse	.221
7.1 Service og eftersyn	.221
7.2 Rengøring og desinfektion	.221
7.2.1 Generelle sikkerhedsanvisninger	.221
7.2.2 Rengøringsintervaller	.222
7.2.3 Rengøringsinstruktioner	.222
7.2.4 Desinficeringsinstruktioner	.223
8 Efter brug	.224
8.1 Opbevaring	.224
8.2 Istandsættelse	.224
8.3 Bortskaffelse	.224
9 Fejlfinding	.225
9.1 Fejlfinding og afhjælpning af fejl	.225
10 Tekniske Data	.227
10.1 Mål og vægt	.227
10.2 Elektronikdata	.227
10.3 Materialer	.228
10.4 Miljøparametre	.228

1 Generelt

1.1 Indledning

Denne brugsanvisning indeholder vigtige anvisninger om håndtering af produktet. Af sikkerhedsmæssige årsager, bør brugsanvisningen læses grundigt, og sikkerhedsanvisningerne følges.

Bemærk, at der kan være afsnit i dette dokument, der ikke er relevante for dit produkt, eftersom dette dokument gælder for alle tilgængelige modeller (på datoen for trykning). Med mindre andet er angivet, gælder hvert afsnit i dette dokument for alle produktets modeller.

Alle modeller og konfigurationer, der er tilgængelige i dit land, kan findes i de landespecifikke salgsdokumenter.

Invacare forbeholder sig retten til at ændre produktspecifikationer uden forudgående varsel.

Før denne dokument læses, skal du sikre, at det er den nyeste version. Den nyeste version findes i PDF-format på Invacares hjemmeside.

Hvis du synes, at skriftstørrelsen i det trykte dokument er svær at læse, kan du hente PDF-versionen fra hjemmesiden. PDF-versionen kan derefter skaleres på skærmen til en skriftstørrelse, der passer dig bedre.

Det er muligt at få flere oplysninger om produktet, f.eks. sikkerhedsanvisninger til produktet og tilbagekaldelser af produkter, ved at kontakte din Invacare-forhandler. Adresserne findes i slutningen af dette dokument.

I tilfælde af en alvorlig hændelse i forbindelse med produktet, skal du informere producenten og den relevante myndighed i dit land.

1.2 Symboler i denne manual

I denne manual anvendes symboler og signalord til angivelse af faresituationer eller u hensigtsmæssig anvendelse, som kan medføre person- eller produktskader. Se oplysningerne nedenfor for at få en definition af symbolerne.



ADVARSEL

Angiver en potentielt farlig situation, som kan resultere i alvorlig kvæstelse eller dødsfald, hvis den ikke undgås.



FORSIGTIG

Angiver en potentielt farlig situation, som kan resultere i en mindre eller lille kvæstelse, hvis den ikke undgås.



VIGTIGT

Angiver en potentielt farlig situation, som kan resultere i beskadigelse af ejendom, hvis den ikke undgås.



Tips og anbefalinger

Giver nyttige tips, anbefalinger og oplysninger, der sikrer en effektiv, problemfri anvendelse.

1.3 Garanti

Vi yder en producentgaranti på produktet i overensstemmelse med vores almindelige forretningsbetingelser og vilkår i de

respektive lande. Der kan kun rejses garantikrav gennem den forhandler, som produktet er købt hos.

Betræk og sugekopper er ikke omfattet af denne garanti.

1.4 Overensstemmelse

Kvalitet er afgørende for virksomhedens virke, og vi arbejder ud fra ISO 13485.

Dette produkt er CE-mærket i overensstemmelse med forordningen 2017/745 om medicinsk udstyr i klasse 1. Lanceringsdatoen for dette produkt fremgår af CE-overensstemmelseserklæringen.

Vi arbejder løbende på at sikre, at virksomhedens påvirkning af miljøet, lokalt og globalt, reduceres til et minimum.

Vi anvender udelukkende materialer og komponenter, der overholder REACH-direktivet.

Vi overholder de gældende miljølovgivninger WEEE og RoHS.

1.4.1 Produktspecifikke standarder

Produktet overholder kravene iht. standarden DIN EN ISO 10535 (Personløftere til flytning af handicappede personer – krav og prøvningsmetoder).

Kontakt Invacare i dit land for at få yderligere oplysninger (se adresser i slutningen af dette dokument).

1.5 Servicelevetid

Den forventede servicelevetid for dette produkt er fem år, når det anvendes dagligt og i overensstemmelse med sikkerhedsanvisningerne, vedligeholdelsesintervallerne og

den korrekte brug, der fremgår af denne brugsanvisning. Den effektive servicelevetid kan variere afhængigt af hyppighed og intensitet af brugen.

1.6 Ansvarsbegrænsning

Invacare påtager sig ikke ansvaret for skader, der skyldes:

- Manglende overholdelse af brugsanvisningen
- Forkert anvendelse
- Almindeligt slid
- Forkert samling eller indstilling foretaget af køber eller en tredjepart
- Tekniske ændringer
- Uautoriserede ændringer og/eller brug af uegnede reservedele

2 Sikkerhed

2.1 Sikkerhedsoplysninger



ADVARSEL!

Risiko for alvorlig kvæstelse eller materiel skade

Forkert brug af dette produkt kan medføre personskade eller materiel skade.

- Hvis du ikke kan forstå advarslerne, forsigtighedshenvisningerne eller anvisningerne, bedes du kontakte en sundhedsprofessionel medarbejder eller leverandør, inden du forsøger at bruge produktet i brug.
- Undlad at bruge dette produkt eller nogen former for ekstraudstyr uden først at have læst og forstået denne vejledning og andet instruktionsmateriale som f.eks. brugsanvisningen, servicemanualer eller instruktionsblade, der leveres sammen med dette produkt eller ekstraudstyret.



ADVARSEL!

Risiko for personskade

- Produktet må ikke anvendes, hvis det er defekt.
- I tilfælde af fejl skal du omgående kontakte din leverandør.
- Foretag ikke uautoriserede ændringer af produktet.
- Stå aldrig på badekarsliften, når du stiger ned i eller op af badekarret, brug den ikke til at klatre op eller ned ad, som løfteplatform eller til lignende formål.



ADVARSEL!

- Rens produktet grundigt, inden det tages i brug første gang.
- Efterse produktet for skader, og kontrollér, at det er forsvarligt monteret, hver gang inden det tages i brug.



FORSIGTIG!

Risiko for kvæstelser

Uoriginalt eller forkerte dele kan påvirke produktets funktion og sikkerhed.

- Brug kun originale dele til det produkt, der anvendes.
- På grund af regionale forskelle henvises der til dit lokale Invacare-katalog eller Invacare-hjemmesiden angående det tilgængelige ekstraudstyr. Ellers kan du kontakte din lokale Invacare-repræsentant. Adresserne findes i slutningen af dette dokument.

2.2 Sikkerhedsoplysninger om elektromagnetisk kompatibilitet



ADVARSEL!

Risiko for fejlfunktion på grund af elektromagnetisk interferens

Der kan opstå elektromagnetisk interferens mellem dette produkt og andet elektrisk udstyr, og det kan forstyrre dette produkts elektriske justeringsfunktioner. Denne elektromagnetiske interferens kan forhindres, reduceres eller fjernes på følgende måde:

- Brug kun kabler, tilbehør og reservedele, der er originale, så du ikke øger dette produkts elektromagnetiske emission eller dets elektromagnetiske immunitet.
- Undlad at bruge bærbart RF-kommunikationsudstyr (radiofrekvens) tættere end 30 cm fra nogen del af dette produkt (inklusive kabler).
- Undlad at bruge dette produkt i nærheden af aktivt højfrekvensoperationsudstyr og det RF-afskærmede lokale for et MRI-system (Magnetic Resonance Imaging), hvor der er en høj intensitet af elektromagnetiske forstyrrelser.
- Hvis der opstår forstyrrelser, skal du øge afstanden mellem dette produkt og det andet udstyr eller slukke for det.



ADVARSEL!

Risiko for fejlfunktion

Elektromagnetisk interferens kan medføre, at udstyret ikke fungerer korrekt.

- Dette produkt må ikke bruges ved siden af eller placeret oven på andet elektrisk udstyr. Hvis en sådan brug er nødvendig, skal dette produkt og andet udstyr observeres nøje for at kontrollere, at det fungerer normalt.

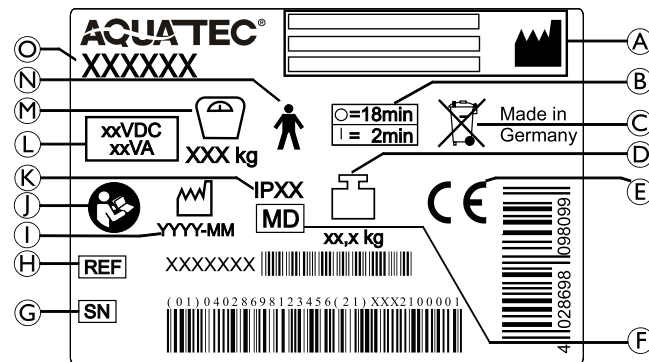


Vi har ikke kendskab til nogen risici i forbindelse med brug af produkter som f.eks. en pacemaker.

2.3 Mærkater og symboler på produktet

Produktmærkat

Produktmærkaten indeholder vigtige tekniske oplysninger:



Ⓐ	Producent og producentens adresse
Ⓑ	Brugsinterval (kontinuerlig motordrift er ikke tilladt): maks. 2 minutters kontinuerlig brug efterfulgt af en pause på 18 minutter
Ⓒ	Bemærk (bortskaffelse)
Ⓓ	Produktvægt
Ⓔ	Overholdelse af EU-krav
Ⓕ	Medicinsk udstyr
Ⓖ	Serienummer
Ⓗ	Referencenummer
Ⓘ	Fremstillingsdato
Ⓝ	Læs brugsanvisning
Ⓚ	Beskyttelsestype
Ⓛ	Nominal spænding/nominal effekt, se <i>10 Tekniske Data, side 227</i>
Ⓜ	Maks. brugervægt
Ⓝ	Anvendt del af type B
Ⓞ	Produktbetegnelse

ⓘ Produktmærkatene er fastgjort bag på ryglænet.

3 Produktoversigt

3.1 Produktbeskrivelse

Aquatec ORCA, ORCA F og ORCA XL er batteridrevne badekarslifte, som hjælper med at komme ned i eller ud af et badekar. Den består af en sædeplade (med integrerede sideklapper) med skridsikker overflade.

ORCA og ORCA XL har et stift ryglæn, der kan sænkes ved hjælp af en fjernbetjening. ORCA F har et fast ryglæn. Til alle modeller fås sædebetræk og ryglænspolstring som ekstraudstyr.

Alle modeller indeholder en fjernbetjening, der kontrollerer sædet, så det kan køre op eller ned.

Ryglænet kan udstyres med sidedele for at øge støtten og sikkerheden.

3.2 Tiltænkt brug

Aquatec ORCA, ORCA F og ORCA XL er beregnet til at blive brugt som hjælp til at komme ind i eller ud af et badekar på en sikker måde uden anstrengelser.

Tilsigtede brugere

Brugere er personer med begrænset bevægelighed (f.eks. i ben og/eller hofter). Brugeren skal kunne holde balancen selv, hvis den bruges uden en hjælper.

Indikationer

- Begrænset bevægelighed (f.eks. i ben og/eller hofter) eller

- problemer med at holde balancen for at rejse sig op eller gå på grund af midlertidige eller permanente handicap.

Kontraindikationer

Der findes ingen kendte kontraindikationer, når produktet anvendes efter hensigten.

Den maksimale brugervægt er:

- 140 kg (ORCA/ORCA F)
- 170 kg (ORCA XL)

3.3 Komponenter

Følgende komponenter medfølger ved levering:

Håndbetjening og oplader

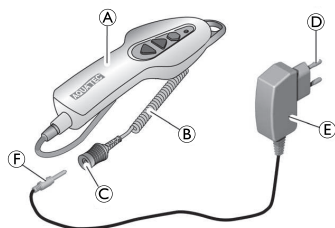


Fig. 3-1

- | | |
|-----------------------------|----------------|
| Ⓐ Håndbetjening med batteri | Ⓓ Strømskik |
| Ⓑ Spiralledning | Ⓔ Oplader |
| Ⓒ Jack-hunstik | Ⓕ Jack-hanstik |

Sæde

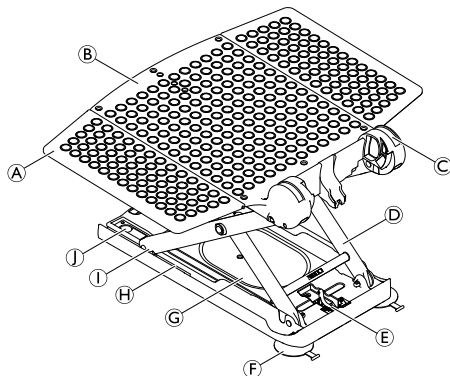


Fig. 3-2

- | | |
|----------------------|---|
| Ⓐ Sideklap | Ⓔ Bageste sugekopper (med gevind) |
| Ⓑ Sædeplade | Ⓕ Bundplade |
| Ⓒ Hængsel til ryglæn | Ⓖ Ledeskinne til glidesko |
| Ⓓ Løftesaks | Ⓗ Glidesko |
| Ⓔ Spindelfodsholder | Ⓙ Forreste sugekopper (én flig med hoved) |

Ryglæn

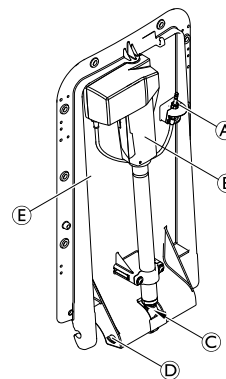


Fig. 3-3

- | | |
|----------------|-----------------|
| Ⓐ Jack-hanstik | Ⓓ Låsestift |
| Ⓑ Drev | Ⓔ Plade, ryglæn |
| Ⓒ Spindelfod | |

4 Udpakning

4.1 Sikkerhedsoplysninger



Risiko for beskadigelse

- Kontrollér alle dele for transportskader, og udfør kontrol inden brug. Kontakt om nødvendigt din leverandør.
- Kontrollér under samlingen, at delene placeres korrekt i forhold til hinanden.
- Det anbefales at vaske betrækket før første ibrugtagning. Se 7.2 Rengøring og desinfektion, side 221

4.2 Opsætning af badekarsliften



ADVARSEL!

Risiko for skridning

- Badekarsliften kan skride, hvis sugekopperne ikke har et godt greb.
- Rengør badekarret og sugekopperne med en fugtig klud, før badekarsliften sættes op.
 - Flyt ikke badekarsliften i badekarret, når den er sat op.



ADVARSEL!

Risiko for kvæstelser og skader!

- Monter kun badekarsliften i badekar, der overholder specifikationerne i nedenstående skema.
- Hvis badekarret har sideoverløb, skal specialsideklapperne bruges (fås som tilbehør).

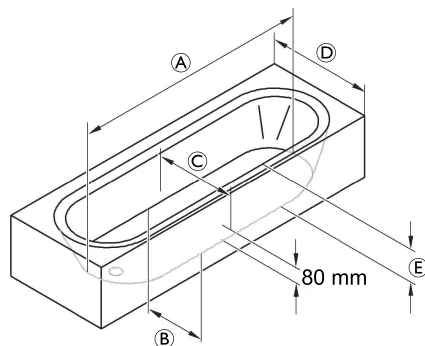


Fig. 4-1

Ⓐ	Badekarrets længde, bund	≥ 800 mm
Ⓑ	Badekarrets bredde, bund (underside)	≥ 280 mm
Ⓒ	Badekarrets bredde ved en højde på 80 mm (indvendig)	≥ 430 mm

D	Badekarrets bredde (udvendig)	580-690 mm (med specialsideklapper) 700-740 mm (med standardsideklapper) 750-1000 mm (med specialsideklapper)
E	Badekarrets højde (indvendig)	≤ 420 mm (med adapter til tilpasning af højden, maks. + 60 mm)

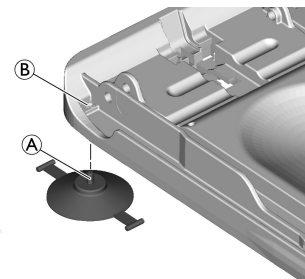


Fig. 4-2

Sæt den bagerste sugekop med skruebolten A på samleskruen B, og skru den i. Skru så langt, at sugekoppen passer til retningen på billedet.

2.

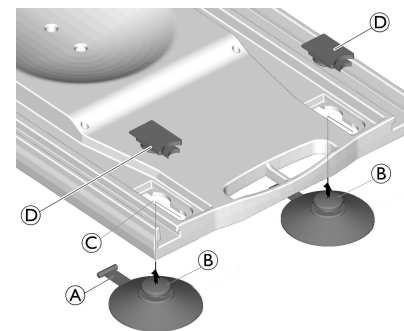


Fig. 4-3

Sæt skifteknappen A igennem nøglehullet C, og anbring den i den tilhørende fordybning. Skub hovedet på sugekoppen B igennem hullet C, og træk sugekoppen fremad. Fastgør sugekoppen med det røde låg D.

! Risiko for beskadigelse

- Sørg for, at sugekopperne er monteret korrekt.
- Sørg for, at batteriet i håndbetjeningen er opladet.
- Husk at beregne vægten af komponenterne korrekt, når badekarsliftten løftes. Se 10.1 Mål og vægt, side 227
- Hvis der er monteret et gelænder på indersiden af badekarret, skal du bruge anordningerne til at vende sideklappen (fås som tilbehør).
- Fold sideklapperne udad, før ryglænet foldes op.

1.

3.

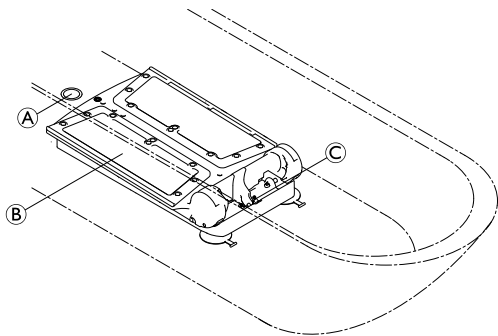


Fig. 4-4

Placer sædet ② på bunden af det tomme badekar. Sørg for, at spindelfodsholderen ③ peger mod enden af badekarret modsat afløbet ①.

4.

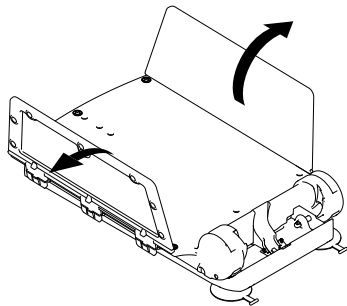


Fig. 4-5

Fold sideklapperne på sædet udad.

5.

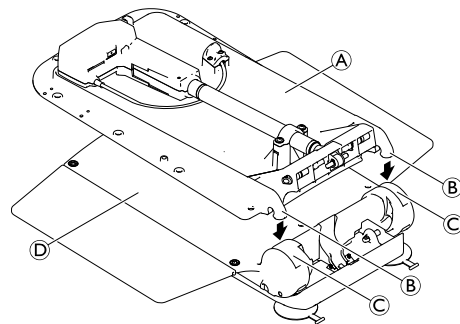


Fig. 4-6

Placer ryglænet ① (uden håndbetjeningen) på sædet, så krogene ② i ryglænet passer ind i hængslerne ③ på sædepladen ④.

6.



Risiko for beskadigelse

Skader på produktet som følge af, at spindelfoden glider ud.

- Sørg for, at spindlen er trukket helt ind, og at spindelfoden er plan og ikke snoet, før du klapper ryglænet op.
- Når ryglænet er foldet op, skal du kontrollere, at spindelfoden sidder i spindelfodsholderen.

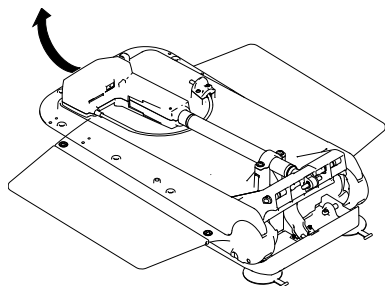


Fig. 4-7

Hold ryglænet midt for hovedenden, og klap det forsigtigt op til endepositionen.

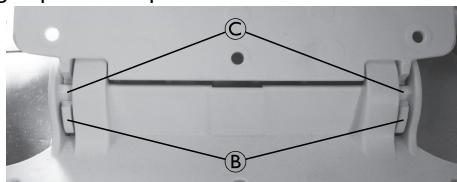


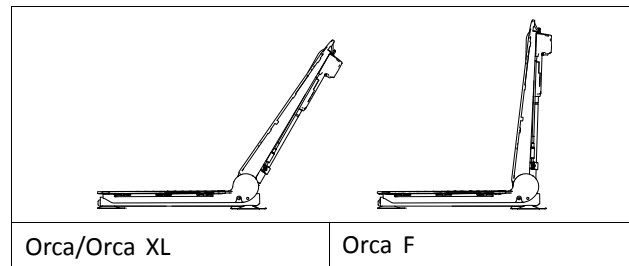
Fig. 4-8



Risiko for beskadigelse

Beskadigelse af produktet på grund af forkert samling af ryglænet.

- Sørg for, at begge kroge B på ryglænet går i indgreb med hængslerne C på sædepladen.
- Sørg for, at ryglænet er klappet op til endepositionen, uden at tvinge det op og uden mærkbar modstand. Endepositionen er angivet på følgende illustration.



7.

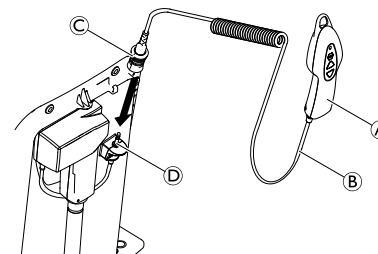


Fig. 4-9

For at tilslutte håndbetjeningen A til badekarsliften skal du indsætte jack-hunstikket med låsebøsningen C i jack-hanstikket D, indtil låsemekanismen går tydeligt i indgreb.



Risiko for beskadigelse

- Sørg for at ryglænet ikke berører kanten af badekarret.
- Flyt eventuelt badekarsliften længere frem i badekarret. Hvis du vil flytte badekarsliften længere frem i badekarret, skal du sænke badekarsliften til bunden, løsne sugekopperne og derefter flytte badekarsliften.

4.3 Opladning af batteriet

Badekarsliften kan ikke bruges, mens batteriet oplades.



ADVARSEL!

Fare for elektrisk stød

– Genopladningen af batteriet må kun foretages i et tørt rum ved rumtemperatur (15 °C til 25 °C) og aldrig på badeværelset.



Risiko for beskadigelse

– Benyt kun den oplader, der fulgte med produktet, til at oplade batteriet i håndbetjeningen.

– Opladeren må kun tilsluttes strømforsyningen, når håndbetjeningen er tilsluttet opladeren.

– Sørg for, at de specifikationer for spænding, som er vist på opladeren, svarer til specifikationerne for strømforsyningen.

1. Sæt jackstikket ⑥ på opladeren ③ i stikket ⑤ til spiralledningen ④ på håndbetjeningen ①, indtil den går i indgreb.
2. Sæt opladerens stik ② i en stikkontakt.



Den røde indikatorlampe ⑦ på håndbetjeningen slukkes, når batteriet er helt ladet op. Det er ikke muligt at overoplade batteriet.

3. Tag opladerstikket ud af stikkontakten.
4. Træk opladerens jackstik ud af stikket på håndbetjeningen.

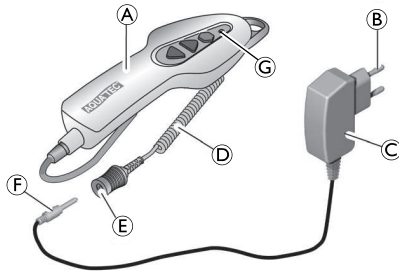


Fig. 4-10

5 Brug

5.1 Sikkerhedsoplysninger



FORSIGTIG!

Risiko for kvæstelser eller skader

Der kan trænge fugt ind i en beskadiget håndbetjening, hvilket kan forårsage kortslutning og brand.

- Inspicer altid produktet visuelt for at afsløre udvendige skader før hver brug.
- Hvis håndbetjeningens hus er beskadiget eller har revner, må håndbetjeningen ikke bruges.



FORSIGTIG!

Risiko for klemning

- Sæt ikke fingrene ind i glideskinnen mellem sædepladen og ryglænet.
- Ræk ikke ind under sædepladen eller ind imellem løftesaksene.



Risiko for beskadigelse

Hvis badekarsliften overbelastes, kan det medføre, at enheden beskadiges eller ikke kan hæves.

- Badekarsliften må ikke overbelastes, og specifikationerne på produktmærkaten skal overholdes. Se eventuelt *10 Tekniske Data, side 227* for at få oplysninger om belastningskapacitet.



Oplad batteriet regelmæssigt. Se *3,4 Opladning af batteriet i 4 Udpakning, side 211*



Se *10.4 Miljøparametre, side 228* for at få flere oplysninger om driftsbetingelserne.

5.2 Styring af badekarsliften

Badekarsliften kan bevæges i følgende retninger:



Fig. 5-1

Badekarsliften styres med håndbetjeningen, enten af brugeren eller af en hjælper.



Med et fuldt opladet batteri kan ORCA og ORCA F udføre 5 badninger med en belastning på 140 kg. ORCA XL kan udføre 4 badninger med en belastning på 170 kg.

- (A) Nødstopknap
- (B) Op-knap
- (C) Håndbetjening
- (D) Ned-knap
- (E) Indikatorlampe

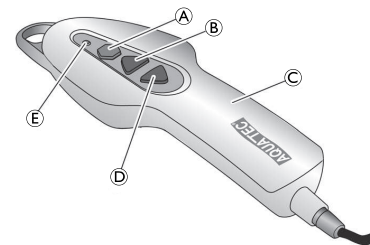


Fig. 5-2

**Risiko for beskadigelse**

– Håndbetjeningen må kun bruges, når ryglænet er korrekt monteret og i oprejst position.



Hvis batteriet i håndbetjeningen © ikke er tilstrækkeligt opladet, lyser indikatorlampen ⑤ rødt, når der trykkes på ned-knappen ④. I dette tilfælde er funktionen til sænkning af badekarsliften deaktiveret. Du kan dog stadig hæve liften.

1. Lad omgående batteriet op, når du har hævet badekarsliften.

Sådan hæves badekarsliften

Hvis ryglænet er sænket, flyttes det først til oprejst position (ikke på ORCA F-modellen)

1. Tryk på op-knappen ③ på håndbetjeningen, og hold den inde.
Ryglænet bevæger sig til oprejst position, eller sædet bevæger sig opad.
2. Slip op-knappen på håndbetjeningen.
Badekarsliften stopper i den aktuelle position.

Sådan sænkes badekarsliften

Hvis sædet allerede er sænket, sænkes ryglænet bagud (ikke på ORCA F-modellen).

1. Tryk på ned-knappen ④ på håndbetjeningen, og hold den inde.
Sædet bevæger sig nedad, eller ryglænet vipper bagud.
2. Slip ned-knappen på håndbetjeningen.
Badekarsliften stopper i den aktuelle position.

Nødstopknap**Risiko for beskadigelse**

Tryk kun på nødstopknappen ①, hvis enheden ikke stopper med det samme, når op- eller ned-knappen slippes (f.eks. hvis en knap sætter sig fast). Badekarsliften holder straks op med at bevæge sig, og indikatorlampen i håndbetjeningen lyser.

Hvis den røde indikatorlampe slukkes, efter at du har sluppet nødstopknappen, er fejlen afhjulpel (f.eks. knappen er sluppet igen). Enheden er klar til brug igen.

Hvis den røde indikatorlampe stadig lyser, efter at du har sluppet nødstopknappen, er fejlen ikke afhjulpel endnu. Enheden er ikke klar til brug og skal repareres, f.eks. i tilfælde af elektroniske skader.



Kontakt om nødvendigt din leverandør.

5.3 Badning**ADVARSEL!****Risiko for skridning**

Badekarsliften kan skride, hvis sugekopperne ikke har et godt greb.

- Inden du bruger badekarsliften, skal du kontrollere, at den er placeret korrekt og ikke kan vælte.
- Sørg for, at badekarsliften er monteret i et badekar med de korrekte mål. Se 4.2 *Opsætning af badekarsliften, side 211*

**ADVARSEL!****Risiko for personskade**

- Hvis din tilstand indebærer, at du ikke kan tage bad på egen hånd, skal en anden person overvåge brugen af enheden.
- Hvis du betjener anordningen uden opsyn, skal du sørge for at have et alarmsystem eller en telefon inden for rækkevidde i tilfælde af uforudsete hændelser (f.eks. fejlfunktion).
- Kontrollér badevandets temperatur inden brug.

**Risiko for beskadigelse**

- Badeolie eller -salt kan forringe løftesaksens ydeevne.
- Hvis sådanne tilsætningsstoffer anvendes, må den anbefalede dosis ikke overskrides.



Kør liften op og derefter ned én gang uden belastning (funktionstest).

1. Tryk på og hold op-knappen inde, indtil sædet er i niveau med kanten på badekarret.
2. Sørg for, at sideklapperne er i niveau med sædet og hviler fladt på badekarrets kant (udgangsposition).
3. Fyld badekarret med vand.
4. Sæt dig på den nærmeste sideklap, som hvis det var en stol.
5. Glid baglæns, indtil du sidder midt på sædet.
6. Vend dig, så du sidder i badeposition, ved at løfte det ene ben og derefter det andet over badekarrets kant.
7. Når du sidder korrekt, skal du trykke på ned-knappen og holde den inde for at sænke sædet ned i badekarret.



Når sædet har nået den laveste position, kan du vippe ryglænet tilbage ved fortsat at holde ned-knappen inde. Dette giver en mere behagelig badestilling og gør det muligt at blive dybere nedsænket i badevandet (ikke på ORCA F-modellen).

8. Bliv ved med at trykke på ned-knappen, indtil ryglænet har nået den ønskede position.



Udfør trinnene i omvendt rækkefølge for at komme ud af badekarret.

9. Hvis du vil hæve ryglænet eller badekarsliften, skal du trykke på op-knappen og holde den inde, indtil sædet er på samme niveau som kanten af badekarret.

**Risiko for beskadigelse**

- Tag stikket til håndbetjeningen ud af enheden, når badekarsliften ikke er i brug. Se 6.2 *Afmontering af badekarsliften, side 219* trin 3.

6 Transport

6.1 Sikkerhedsoplysninger

- !** **Risiko for beskadigelse**
- Ryglænet er ikke låst fast på sædet, når det er foldet sammen, og det kan blive adskilt fra enheden.

1. Fjern håndbetjeningen.
2. Skil badekarsliften i to dele, hvis den skal transporteres (bundramme med sædeplade og ryglæn). Se 6.2 *Afmontering af badekarsliften, side 219*

- !** **Risiko for beskadigelse**
- Sugekopperne må ikke fjernes, når badekarsliften transporteres.
 - Se forhold i forbindelse med opbevaring og transport i kapitel 10.4 *Miljøparametre, side 228*

6.2 Afmontering af badekarsliften

1. Luk vandet ud af badekarret.
2. Sænk badekarsliften ved hjælp af ned-knappen, indtil ryglænet stopper i den sænkede endeposition. Se 5.2 *Styring af badekarsliften, side 216*
3. Lås jack-hunstikket på håndbetjeningens spiralledning op ved at skubbe låsebøsning op og trække den af jack-hanstikket.

4.

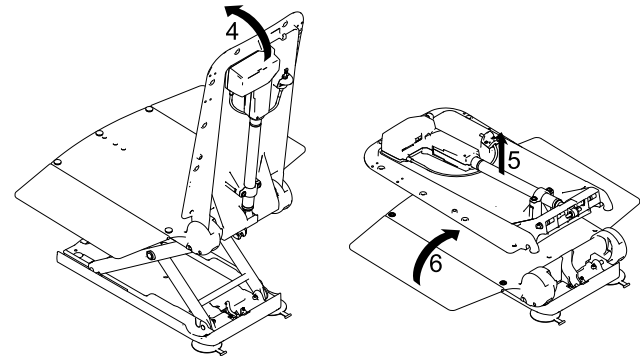


Fig. 6-1

Hold fast i ryglænet i hovedenden med den ene hånd, og klap det langsomt fremad til endepositionen.

- !** **Risiko for beskadigelse**
- Fold ikke ryglænet ned, hvis der er vand i badekarret.
 - Inden ryglænet klappes ned, skal det være helt i sænket position.
 - Når ryglænet foldes ned, skal du sørge for, at spiralledningen til håndbetjeningen ikke kommer i klemme.

5. Træk ryglænet op fra sædet og ud af badekarret.
6. Fold sædets sideklapper ind.

7.

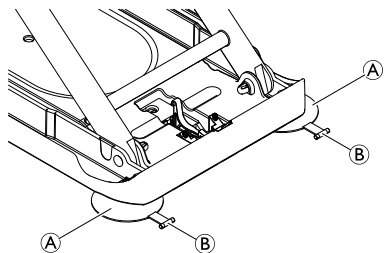


Fig. 6-2

Løsn de bageste sugeskopper **A** ved at trække op i fligene **B**, der stikker frem.

i Løsn de to bageste sugeskopper samtidig.

8. Løft den bageste del af sædet en smule. Derved løsnes de forreste sugeskopper.

i Hvis højdetilpasningsstykkerne er monteret (valgfri), skal du også trække i fligene til de forreste sugeskopper for at løsne dem.

9. Tag bundrammen med sædepladen ud af badekarret.

i Sørg for, at alle sugeskopper er afmonterede, før du tager sædet ud af badekarret.

10. Opbevar alle delene til badekarsliften omhyggeligt.

7 Vedligeholdelse

7.1 Service og eftersyn

Hvis rengørings- og sikkerhedsvejledningen følges, er produktet vedligeholdelsesfrit.

! Risiko for beskadigelse

- Håndbetjeningen må kun åbnes af producenten af badekarsliften.

1. Efterser produktet jævnligt for skader og for at sikre, at det er forsvarligt monteret.
2. I tilfælde af skader og/eller nødvendige reparationer skal du omgående kontakte forhandleren.
3. Badekarsliften skal altid efterses af en autoriseret forhandler før genbrug. Det anbefales senest at efterses badekarsliften efter 24 måneder (i henhold til DIN EN ISO 10535).
4. Hvis badekarsliften ikke har været brugt i længere tid, skal batteriet oplades helt, og badekarsliften skal hæves og sænkes tre gange uden belastning. Denne procedure skal gentages én gang hver tredje måned. Dette er med til at forlænge batteriets servicelevetid.

7.2 Rengøring og desinfektion

7.2.1 Generelle sikkerhedsanvisninger



FORSIGTIG!

Risiko for smitte

- Tag forholdsregler, og brug passende beskyttelsesudstyr.



FORSIGTIG!

Risiko for elektrisk stød og beskadigelse af produktet


- Sluk for anordningen, og tag den ud af stikkontakten, hvis det er relevant.
- Når du rengør elektroniske komponenter, skal du tage hensyn til deres beskyttelsesklasse vedrørende vandindtrængning.
- Sørg for, at der ikke kommer vandsprøjt på stikket eller vægstikdåsen.
- Rør aldrig ved stikkontakten med våde hænder.



VIGTIGT!

Forkerte væsker eller metoder kan beskadige produktet.

- De anvendte rengørings- og desinfektionsmidler skal være effektive og kunne anvendes sammen, og de må ikke angribe de materialer, der rengøres.
- Brug aldrig korroderende væsker (basiske rengøringsmidler, syre osv.) eller slibende rengøringsmidler. Vi anbefaler et almindeligt husholdningsrengøringsmiddel som f.eks. opvaskesæbe, hvis der ikke angives andet i rengøringsanvisningerne.
- Brug aldrig opløsningsmidler (cellulosefortynder, acetone osv.), der ændrer plastens struktur eller opløser de påsatte mærkater.
- Sørg altid for, at produktet er helt tørt, før det tages i brug igen.

-  For rengøring og desinfektion i kliniske omgivelser eller omgivelser til langvarig pleje skal man følge de pågældende inhouse-procedurer.

7.2.2 Rengøringsintervaller

! VIGTIGT!

Regelmæssig rengøring og desinficering fremmer problemfri drift, forlænger servicelevetiden og forebygger kontaminering.

Rengør og desinficer produktet

- regelmæssigt, mens det er i brug,
- før og efter enhver serviceprocedure,
- når det har været i kontakt med kropsvæsker,
- før det bruges til en ny bruger.

7.2.3 Rengøringsinstruktioner

Produktet kan rengøres med almindeligt tilgængelige rengøringsmidler.

Rengøring af sædet og ryglænet



FORSIGTIG!


Risiko for klemning

- Vær særlig omhyggelig ved rengøring i området omkring løftesaksen, da den kan bevæge sig og medføre personskade.



Risiko for beskadigelse

- Brug aldrig en højtryksrensers til rengøring af ryglænet.

1. Vask produktet med en klud eller en børste.
2. Skyl produktet med varmt vand.
3. Tør produktet med en klud.
4. Smør styreskinne til glideskoene (se figur 3.1 under  i kapitel 3.3 *Komponenter, side 209*) let med vaseline.

Rengøring af betrækket (valgfrit)



Det anbefales at vaske polstringen før første ibrugtagning. Af hygiejniske årsager anbefales det at vaske betrækket regelmæssigt og udskifte det en gang om året.

1. Knap betrækket af sædet og ryglænet.
2. Vask betrækket i vaskemaskinen ved maks. 60 °C med et mildt vaskemiddel.



Risiko for beskadigelse

- Vask ved høje temperaturer kan medføre skader på eller krympning af betrækkene.
- Betrækket må ikke tørres i tørretumbler.

Rengøring af opladeren og håndbetjeningen



ADVARSEL!

Fare for elektrisk stød

- Tag altid stikket ud af stikkontakten, før opladeren rengøres.
- Stik aldrig genstande, der er fremstillet af ledende materiale, f.eks. strikkepinde og metalstifter, ind i håndbetjeningens jack-hunстик.
- Brug aldrig en våd eller fugtig klud til rengøring af opladeren.

1. Opladeren må kun rengøres med en tør klud.
2. Rengør håndbetjeningen med en fugtig klud.
3. Tør håndbetjeningen med en tør klud.

7.2.4 Desinficeringsinstruktioner



Oplysninger om anbefalede desinfektionsmidler og -metoder findes på <https://vah-online.de/en/for-users>.

I hjemmepleje

Metode: Følg bemærkningerne angående påføring af det anvendte desinfektionsmiddel, og påfør det på alle tilgængelige overflader.

Desinficeringsmiddel: Almindeligt desinfektionsmiddel.

Tørring: Lad produktet lufttørre.

I klinisk pleje og langtidspleje

Følg din interne desinfektionsprocedurer, og brug kun de desinfektionsmidler og -metoder, der er anført heri.

8 Efter brug

8.1 Opbevaring



Risiko for beskadigelse

- Opbevar ikke produktet i nærheden af varmekilder.
- Batteriet må ikke opbevares i nærheden af åben ild.
- Udsæt ikke produktet for direkte sollys.
- Se forhold i forbindelse med opbevaring og transport i afsnittet *10.4 Miljøparametre, side 228*

8.2 Istandsættelse

Dette produkt er egnet til genbrug. Følgende handlinger skal udføres i forbindelse med istandsættelse af produktet til en ny bruger:

- Eftersyn
- Rengøring og desinfektion

Se *7 Vedligeholdelse, side 221* og servicemanualen til dette produkt for at få nærmere oplysninger.

Sørg for, at brugsanvisningen bliver overdraget sammen med produktet.

Undlad at genbruge produktet, hvis der konstateres skader eller fejl.

8.3 Bortskaffelse



ADVARSEL!

Miljørisici

Enheden indeholder batterier.

Dette produkt kan indeholde stoffer, som kan skade miljøet, hvis de bortskaffes på steder (lossepladser), der ikke overhovedet gældende lovgivning.

- UNDLAD at bortskaffe batterierne sammen med almindeligt husholdningsaffald.
- Kast IKKE batterier i åben ild.
- Batterierne SKAL afleveres på et korrekt bortskaffelsessted. Returnering er påbudt ved lov og er gratis.
- Bortskaf kun afladede batterier.
- Tildæk litiumbatteriernes terminaler, inden de bortskaffes.
- Se batterimærkning eller kapitel for information om batteritypen *10 Tekniske Data, side 227*

Vær miljøbevidst, og indlever dette produkt til genbrug til den lokale genbrugsstation, når dets levetid er opbrugt.

Skil produktet og dens komponenter ad, så de forskellige materialer kan adskilles og genbruges hver for sig.

Bortskaffelse og genanvendelse af brugte produkter og emballagematerialer skal overholde love og forskrifter for affaldshåndtering i det enkelte land. Kontakt den lokale affaldsmyndighed for at få yderligere oplysninger.

9 Fejlfinding

9.1 Fejlfinding og afhjælpning af fejl



Nedenstående skema indeholder oplysninger om fejl og deres mulige årsag. Hvis du ikke kan afhjælpe fejlen med de angivne forslag, skal du kontakte din forhandler direkte.

Fejl	Mulig årsag	Afhjælpning
Der høres ikke motorstøj/liften bevæger sig ikke.	Jack-hunstikket på håndbetjeningen er ikke gået korrekt i indgreb.	Tilslut jack-hunstikket, → 4.2 Opsætning af badekarsliften, side 211
	Batteriet er opbrugt.	Oplad batteriet helt, → 4.3 Opladning af batteriet, side 215
	Kontakterne er snavsede.	Rengør stikket på ryglænet, → kontakt om nødvendigt en forhandler.
	Kablet er knust/ødelagt.	Udskift håndbetjeningen, → kontakt om nødvendigt en forhandler.
Liften kan hæves men ikke sænkes.	Lavspændingsbeskyttelse er aktiveret.	Oplad batteriet helt, → 4.3 Opladning af batteriet, side 215
Liften stopper, mens den hæves.	Belastningen er for stor.	Kontrollér den maksimale belastning, → 10.1 Mål og vægt, side 227
Badekarsliften er ikke forsvarligt fastgjort i badekarret.	Sugekopperne er gamle eller beskadigede.	Udskift sugekopperne, → kontakt om nødvendigt en forhandler.
Batteriet oplader ikke, og den røde indikatorlampe blinker under opladningen	Fejl i elektronikken.	Få en autoriseret forhandler til at tjekke håndbetjeningen.
	Defekt batteri.	Udskift håndbetjeningen.

Fejl	Mulig årsag	Afhjælpning
	Fejl i opladeren.	Få en autoriseret forhandler til at tjekke opladeren.
	Batteriet er for varmt.	Oplad ikke håndbetjeningen i nærheden af varmekilder, f.eks. varmeelementer eller direkte sollys. Opladningen fortsætter automatisk, når temperaturen er inden for de tilladte grænser.

10 Tekniske Data

10.1 Mål og vægt

Samlet længde ved laveste position	920 mm
Samlet længde ved højeste position	650 mm
Samlet højde ved højeste position	1075 mm
Sædelængde	590 mm
Sædebredde med sideklapperne foldet ud	715 mm
Sædebredde med sideklapperne foldet ind	390 mm
Sædehøjde ved laveste position	60 mm
Sædehøjde ved højeste position	420 mm
Ryglænets bredde	360 mm
Ryglænets minimumsvinkel	8°
Bundpladens bredde	295 mm
Maks. belastning (ORCA / ORCA F) Maks. belastning (ORCA XL)	140 kg 170 kg
Samlet vægt uden håndbetjening (ORCA) (ORCA F) (ORCA XL)	10,8 kg 11,4 kg 11,6 kg
Sædets vægt (ORCA) (ORCA F) (ORCA XL)	6,6 kg 7,2 kg 7,4 kg
Ryglænets vægt (ORCA / ORCA F / ORCA XL)	4,2 kg

Håndbetjeningens vægt	0,4 kg
Opladerens vægt	0,1 kg

10.2 Elektronikdata

Aktiveringskraft for knapperne på håndbetjeningen	< 5 N
Driftsspænding i håndbetjening ¹⁾	11,1 V jævnstrøm / 10,95 V jævnstrøm / 10,8 V jævnstrøm
Nominel indgangseffekt ¹⁾	44 VA/43 VA
Mærkestrøm	4 A
Batteritype	Litium-ion
Indgangsspænding for oplader	100-240 V AC, 50-60 Hz
Udgangsspænding for oplader	24 V DC, 135 mA, 3 VA
Opladningstid fra advarsel om lav spænding	cirka 4,5 timer
Beskyttelsestype, drev	IP X6 W ²⁾
Beskyttelsestype, håndbetjening	IP 67 ³⁾
Beskyttelsestype, hele enheden	IP X6 ⁴⁾
Lydstyrkeniveau	52 dB(A)

Aktuatoren slukker ikke, når produktet er overbelastet. Undlad at overbelaste badekarsliften for at undgå skader.

- 1) 11,1 V jævnstrøm/44 VA gælder ved brug af håndbetjening med 11,1 V spænding, anført på bagsiden af håndbetjeningen.
10,95 V jævnstrøm/44 VA gælder ved brug af håndbetjening med 10,95 V spænding, anført på bagsiden af håndbetjeningen.
10,8 V jævnstrøm/43 VA gælder ved brug af håndbetjening med 10,8 V spænding, anført på bagsiden af håndbetjeningen.
- 2) Beskyttet mod indtrængen af vand i tilfælde af kraftige vandstråler, der er testet under fastlagte vejrforhold.
- 3) Støvtæt og beskyttet mod indtrængen af vand, mens produktet er midlertidigt nedsænket i vand.
- 4) Beskyttet mod indtrængen af vand i tilfælde af kraftige vandstråler.

10.3 Materialer

Ryglæn	PPGF
Sædeplade	PPGF
Polstring	PVC



Alle de anvendte materialer er rustbeskyttede og latexfrie.

10.4 Miljøparametre

Driftsforhold	
Omgivende temperatur	10-40 °C
Relativ luftfugtighed	15 %-93 %, ikke-kondenserende
Atmosfærisk tryk	795-1060 hPa
Forhold i forbindelse med opbevaring og transport	
Omgivende temperatur	0-40 °C
Relativ luftfugtighed	30 %-75 %, uden kondens
Atmosfærisk tryk	795-1060 hPa

Innholdsfortegnelse

Denne bruksanvisning skal overleveres til sluttbrukeren. FØR du bruker dette produktet, MÅ du lese denne bruksanvisning og oppbevare den til senere referanse.

1 Generell informasjon	.230
1.1 Innledning	.230
1.2 Symboler i denne håndboken	.230
1.3 Garanti	.230
1.4 Samsvar	.231
1.4.1 Produktspesifikke standarder	.231
1.5 Levetid	.231
1.6 Ansvarsbegrensning	.231
2 Sikkerhet	.232
2.1 Sikkerhetsinformasjon	.232
2.2 Sikkerhetsinformasjon om elektromagnetisk kompatibilitet	.233
2.3 Merking og symboler på produktet	.233
3 Produktoversikt	.235
3.1 Produktbeskrivelse	.235
3.2 Tiltent bruk	.235
3.3 Komponenter	.235
4 Montering	.237
4.1 Sikkerhetsinformasjon	.237
4.2 Montere badekarheisen	.237
4.3 Lade batteriet	.241
5 Bruk	.242
5.1 Sikkerhetsinformasjon	.242
5.2 Styre badekarheisen	.242
5.3 Bading	.244
6 Transport	.245
6.1 Sikkerhetsinformasjon	.245

6.2 Ta ut badekarheisen	.245
7 Vedlikehold	.247
7.1 Vedlikehold og kontroll	.247
7.2 Rengjøring og desinfisering	.247
7.2.1 Generell sikkerhetsinformasjon	.247
7.2.2 Rengjøringshyppighet	.248
7.2.3 Rengjøringsanvisninger	.248
7.2.4 Instruksjoner for desinfisering	.249
8 Etter bruk	.250
8.1 Oppbevaring	.250
8.2 Overhaling	.250
8.3 Avfallshåndtering	.250
9 Feilsøking	.251
9.1 Avdekke og reparere feil	.251
10 Tekniske Data	.252
10.1 Dimensjoner og vekt	.252
10.2 Elektroniske data	.252
10.3 Materialer	.253
10.4 Miljøparametere	.253

1 Generell informasjon

1.1 Innledning

Denne bruksanvisningen inneholder viktig informasjon om hvordan produktet håndteres. Les bruksanvisningen nøye, og følg sikkerhetsinstruksjonene i den, slik at du kan bruke produktet på en trygg måte.

Vær oppmerksom på at det kan være deler av dette dokumentet som ikke er relevante for produktet ditt, ettersom dokumentet gjelder for alle tilgjengelige modeller (på trykketidspunktet). Hvis ikke annet er angitt, viser hvert avsnitt i dette dokumentet til alle modeller av produktet.

Alle modeller og konfigurasjoner som er tilgjengelige for ditt land, står oppgitt i de landsspesifikke salgsdokumentene.

Invacare forbeholder seg retten til å endre produktspesifikasjoner uten forvarsel.

Før du leser dette dokumentet, må du forsikre deg om at du har den nyeste versjonen. Du finner den nyeste versjonen som en PDF-fil på Invacare-nettstedet.

Hvis skriftstørrelsen i den trykte versjonen av dokumentet er vanskelig å lese, kan du laste ned PDF-versjonen fra nettstedet. Deretter kan du skalere PDF-en, slik at skriftstørrelsen passer bedre for deg.

Hvis du ønsker mer informasjon om produktet, som f.eks. produktsikkerhetsmerknader og tilbakekalling av produkter, kan du kontakte din Invacare-representant. Se adresser nederst i dette dokumentet.

Dersom det skjer en alvorlig hendelse i tilknytning til produktet, bør du informere produsenten og de kompetente myndigheter i landet ditt.

1.2 Symboler i denne håndboken

Advarslene i denne bruksanvisningen er angitt med symboler. Advarselsymbolene ledsages av en overskrift som angir alvorlighetsgraden.



ADVARSEL

Angir en farlig situasjon som kan føre til alvorlig personskade eller død dersom den ikke unngås.



FORSIKTIG

Angir en farlig situasjon som kan føre til lettere skade dersom den ikke unngås.



VIKTIG

Angir en farlig situasjon som kan føre til skade på utstyr hvis den ikke unngås.



Tips og anbefalinger

Gir nyttige tips, anbefalinger og opplysninger når det gjelder effektiv og problemfri bruk.

1.3 Garanti

Vi tilbyr en produsentgaranti for produktet i samsvar med våre generelle forretningsvilkår i det aktuelle landet. Garantikrav kan bare rettes gjennom den aktuelle leverandøren av produktet.

Trekk og sugekopper er utelukket fra denne garantien.

1.4 Samsvar

Kvalitet er avgjørende for virksomheten til selskapet, som arbeider innenfor fagområdene i ISO 13485.

Dette produktet er CE-merket i samsvar med forskrift 2017/745 om medisinsk utstyr klasse 1. Lanseringsdatoen for dette produktet er oppgitt i CE-samsvarserklæringen.

Vi arbeider kontinuerlig for å sikre at selskapets påvirkning på miljøet – både lokalt og globalt – reduseres til et minimum.

Vi bruker kun materialer og komponenter som er i samsvar med REACH-forskriftene.

Vi overholder de gjeldende miljøregelverkene WEEE og RoHS.

1.4.1 Produktspesifikke standarder

Produktet oppfyller kravene i standarden DIN EN ISO 10535 (heiser for forflytning av funksjonshemmede).

Dersom du ønsker ytterligere informasjon, kan du kontakte Invacare i landet ditt (adresser finner du på baksiden av dette dokumentet).

1.5 Levetid

Produktets forventede levetid er fem år ved daglig bruk, gitt at produktet brukes i samsvar med sikkerhetsinstrukser, vedlikeholdsintervaller og informasjon om riktig bruk som er lagt frem i denne håndboken. Den faktiske levetiden varierer etter brukens hyppighet og intensitet.

1.6 Ansvarsbegrensning

Invacare erkjenner ikke ansvar for skade som skyldes:

- Manglende overholdelse av instruksjonene i bruksanvisningen
- Feil bruk
- Naturlig slitasje
- Feilmontering utført av kjøperen eller en tredjepart
- Tekniske endringer
- Endringer som ikke er godkjent, og/eller bruk av uegnede reservedeler

2 Sikkerhet

2.1 Sikkerhetsinformasjon



ADVARSEL!

Fare for alvorlig personskade eller skade på utstyr

Feil bruk av produktet kan forårsake personskade og skade på utstyr.

- Hvis du har problemer med å forstå advarslene, forsiktighetsmeldingene eller instruksjonene, bør du ta kontakt med kvalifisert helsepersonell eller en leverandør eller teknisk personell før du forsøker å bruke dette utstyret.
- Du må ikke bruke dette produktet eller annet tilgjengelig ekstrautstyr hvis du ikke først har lest og forstått disse instruksjonene og eventuelt tilleggsmateriale, for eksempel bruksanvisninger, servicehåndbøker eller instruksjonsdokumenter som følger med dette produktet eller ekstrautstyr.



ADVARSEL!

Skaderisiko

- Bruk ikke produktet hvis det er skadet.
- Dersom det oppstår en feil, må du kontakte leverandøren umiddelbart.
- Ikke utfør noen endringer på produktet uten tillatelse.
- Stå aldri på badekarheisen når du skal opp i eller ut av badekaret. Ikke bruk den til å klatre opp eller ned, som løfteplattform eller til lignende formål.



ADVARSEL!

- Rengjør produktet grundig før det brukes første gang.
- Før hver bruk, sjekk produktet for skade og forsikre deg om at det er trygt.



FORSIKTIG!

Skaderisiko

- Uoriginale eller uegnede deler kan gå ut over produktets virkemåte og sikkerhet.
- Bruk bare originale deler til det aktuelle produktet.
 - På grunn av regionale forskjeller må du se etter tilgjengelig ekstrautstyr i den lokale Invacare-katalogen eller -nettstedet, eller du kan kontakte din lokale Invacare-representant. Se adresser nederst i dette dokumentet.

2.2 Sikkerhetsinformasjon om elektromagnetisk kompatibilitet



ADVARSEL!

Risiko for funksjonssvikt på grunn av elektromagnetisk forstyrrelse

Elektromagnetisk forstyrrelse mellom dette produktet og annet elektrisk utstyr kan oppstå og forstyrre de elektriske justeringsfunksjonene for dette produktet. For å forhindre, redusere eller eliminere slik elektromagnetisk forstyrrelse:

- Bruk bare originalkabler, -tilbehør og -reservedeler for at elektromagnetisk utslipp ikke skal økes eller redusere dette produktets elektromagnetiske immunitet.
- Ikke bruk bærbart, radiofrekvent (RF) kommunikasjonsutstyr nærmere enn 30 cm fra noen del av dette produktet (inkludert kabler).
- Ikke bruk dette produktet i nærheten av høyfrekvent kirurgisk utstyr og RF-skjermert rom i et system for magnetisk resonansavbildning der det er høy intensitet i elektromagnetiske forstyrrelser.
- Hvis det skjer forstyrrelser, øk avstanden mellom dette produktet og annet utstyr eller slå det av.



ADVARSEL!

Risiko for funksjonssvikt

Elektromagnetisk interferens kan forårsake feil drift.

- Ikke bruk dette produktet ved siden av eller stablet med annet elektrisk utstyr. Hvis slik bruk er nødvendig, må dette produktet og annet utstyr observeres nøye for å kontrollere at de fungerer som de skal.

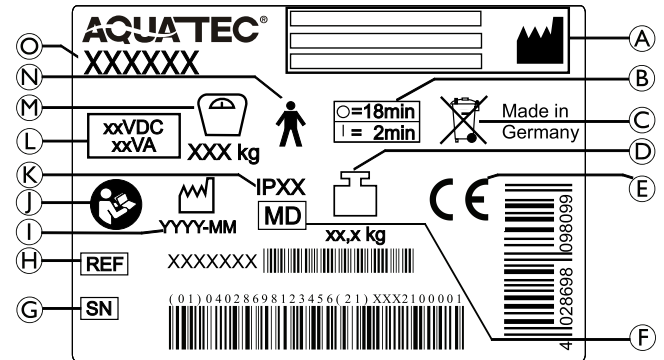


Vi er ikke klar over noen risikoer forbundet med bruk av produkter som hjertepacemaker.

2.3 Merking og symboler på produktet

Identifikasjonsmerke

Identifikasjonsmerket inneholder viktig informasjon:



Ⓐ	Produsent og produsentens adresse
Ⓑ	Bruksintervall (kontinuerlig drift av motoren er ikke tillatt): maks 2 minutter kontinuerlig bruk etterfulgt av en 18 minutters pause
Ⓒ	Merknad (kassering)
Ⓓ	Produktvekt
Ⓔ	EU
Ⓕ	Medisinsk utstyr
Ⓖ	Serienummer
Ⓗ	Referansenummer
Ⓘ	Produksjonsdato
Ⓝ	Les bruksanvisningen
Ⓚ	Beskyttelsestype
Ⓛ	Nominell spenning / nominell effekt, se <i>10 Tekniske Data, side 252</i>
Ⓜ	Maksimal brukervekt
Ⓝ	Type B-kontaktdel
©	Produktnavn



Identifikasjonsmerket befinner seg på baksiden av rygglenet.

3 Produktoversikt

3.1 Produktbeskrivelse

Aquatec ORCA, ORCA F og ORCA XL er batteridrevne badekarheiser og brukes som hjelpemiddel til å gå inn i eller ut av et badekar. De består av en seteplate (med integrerte sideklaffer) med sklisikker overflate.

ORCA og ORCA XL har et stivt ryggelene som kan senkes med en fjernkontroll. ORCA F har et fast ryggelene. Setetrekk og ryggtrekk er ekstrautstyr som kan kjøpes separat til alle modeller.

Alle modeller har en fjernkontroll som brukes til å bevege setet opp eller ned.

Rygglenet kan utstyres med sidedeler for å øke støtten og sikkerheten.

3.2 Tiltent bruk

Aquatec ORCA, ORCA F og ORCA XL er beregnet på å bli brukt som et hjelpemiddel til å gå inn i eller ut av et badekar på en trygg og enkel måte.

Tiltente brukere

Brukere er personer med begrenset bevegelsesevne (f.eks. ben og/eller hofter). Hvis heisen brukes uten assistent, må brukeren være i stand til å holde balansen selv.

Indikasjoner

- begrenset bevegelsesevne (f.eks. ben og/eller hofter)
- balanseproblemer på grunn av midlertidig eller permanent funksjonsnedsettelse, slik at det vanskelig å reise seg opp eller gå

Kontraindikasjoner

Det er ingen kontraindikasjoner når produktet brukes som tiltent.

Maksimal brukervekt er:

- 140 kg (ORCA / ORCA F)
- 170 kg (ORCA XL)

3.3 Komponenter

Produktet leveres med følgende komponenter:

Håndkontroll og lader

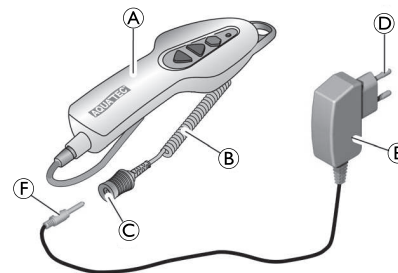


Fig. 3-1

- | | |
|----------------------------|--------------|
| Ⓐ Håndkontroll med batteri | Ⓓ Strømplugg |
| Ⓑ Spiralkabel | Ⓔ Lader |
| Ⓒ Kontakt | Ⓕ Plugg |

Sete

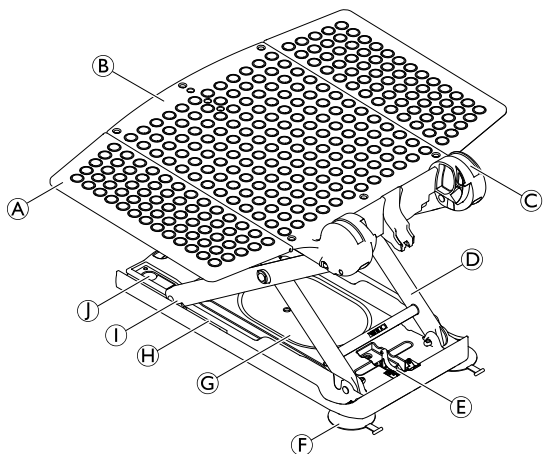


Fig. 3-2

- | | |
|-----------------------|---|
| Ⓐ Sideklaff | Ⓕ Bakre sugekopper (med gjenger) |
| Ⓑ Seteplate | Ⓖ Bunnplate |
| Ⓒ Hengsel for ryggene | Ⓗ Føringsselement for glider |
| Ⓓ Løftearmer | Ⓘ Glider |
| Ⓔ Spindelfotholder | Ⓝ Fremre sugekopper (én klaff med hode) |

Ryggene

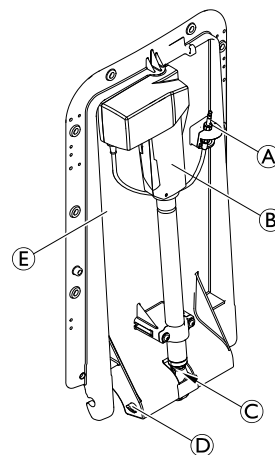


Fig. 3-3

- | | |
|--------------|------------------|
| Ⓐ Plugg | Ⓓ Låsepinne |
| Ⓑ Motor | Ⓔ Plate, ryggene |
| Ⓒ Spindelfot | |

4 Montering

4.1 Sikkerhetsinformasjon



Fare for skade

- Kontroller at ingen av delene har blitt skadet under transport, og at de er i god stand før bruk. Kontakt om nødvendig leverandøren.
- Under montering må du sørge for at delene settes sammen riktig i forhold til hverandre.
- Vi anbefaler at trekk vaskes før de tas i bruk første gang, se 7.2 Rengjøring og desinfisering, side 247.

4.2 Montere badekarheisen



ADVARSEL!

Sklifare

- Badekarheisen kan skli dersom sugekoppene ikke har godt nok grep.
- Rengjør badekaret og sugekoppene med en fuktig klut før du monterer badekarheisen.
 - Flytt ikke på badekarheisen når den er montert i badekaret.



ADVARSEL!

Risiko for personskade og skade på materiell

- Badekarheisen må bare monteres i badekar som samsvarer med spesifikasjonene i tabellen nedenfor.
- Hvis badekaret er utstyrt med en overløpsventil på siden, brukes spesialsideklaffene (tilgjengelige som ekstrautstyr).

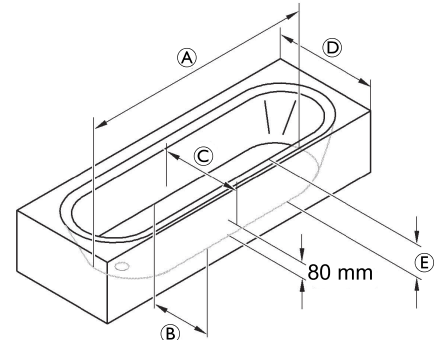


Fig. 4-1

Ⓐ	Badekarlengde, bunn	≥ 800 mm
Ⓑ	Badekarbredde, (innvendig)	≥ 280 mm
Ⓒ	Badekarbredde, ved 80 mm høyde (innvendig)	≥ 430 mm

D	Badekarbredde, (utvendig)	580–690 mm (med spesielle sideklaffer) 700–740 mm (med standard sideklaffer) 750–1000 mm (med spesielle sideklaffer)
E	Badekarhøyde, (innvendig)	≤ 420 mm (med høydeadapter, maks + 60 mm)

! Fare for skade

- Sørg for at sugekoppene monteres riktig.
- Sørg for at batteriet i håndkontrollen er ladet.
- Når badekarheisens komponenter løftes, må du huske å vurdere vekten på riktig måte. Se *10.1 Dimensjoner og vekt, side 252*
- Hvis en håndtakstøtte er montert på innsiden av badekaret, bruker du sideklaffavlederne (tilgjengelig som ekstrautstyr).
- Brett sideklaffene utover før du folder opp rygglenet.

1.

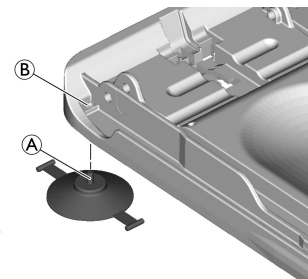


Fig. 4-2

Sett den bakre sugekoppen med gjenget bolt (A) på hylsemutteren (B) og skru den inn. Skru sugekoppen så langt inn som det går uten å avvike fra retningen vist på illustrasjonen.

2.

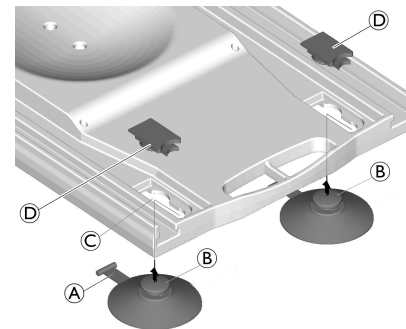


Fig. 4-3

Før klaffen (A) gjennom åpningen (C) og plasser den i den tilhørende fordypningen. Stikk hodet på sugekoppen (B) gjennom åpningen (C), og trekk sugekoppen forover. Fest sugekoppen med det røde lokket (D).

3.

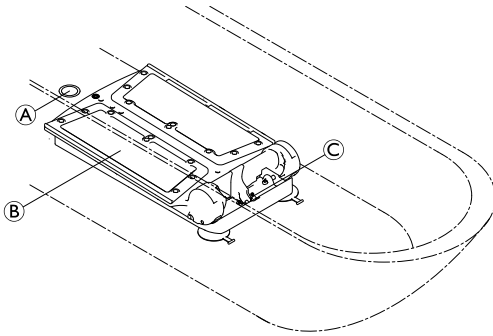


Fig. 4-4

Plasser setet ② på bunnen av det tomme badekaret. Kontroller at spindelfotholderen ③ peker mot den enden av badekaret som vender bort fra utløpet ①.

4.

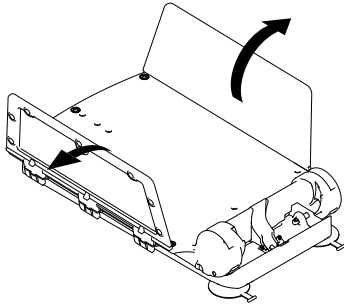


Fig. 4-5

Brett sideklaffene på setet utover.

5.

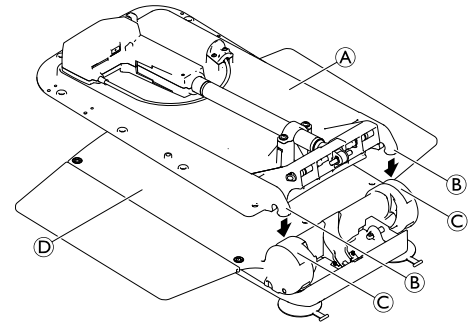


Fig. 4-6

Plasser ryggenet ① (uten håndkontrollen) på setet slik at krokene ② på ryggenet passer inn i hengslene ③ på seteplaten ④.

6.



Fare for skade

Dersom spindelfoten glir ut, kan det oppstå skade på produktet.

- Sørg for at spindelen er fullstendig trukket tilbake og at spindelfoten er i flukt og ikke vridd, før du folder opp ryggenet.
- Når ryggenet er rettet opp, må du kontrollere at spindelfoten står i spindelfotholderen.

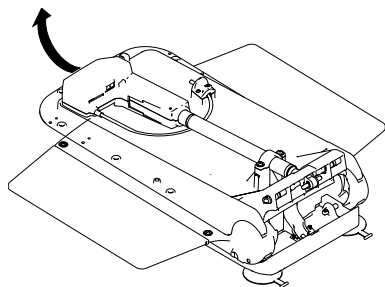


Fig. 4-7

Hold ryggenet midt på hodeenden og fold det forsiktig opp til endeposisjonen.

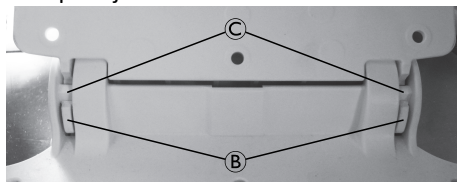


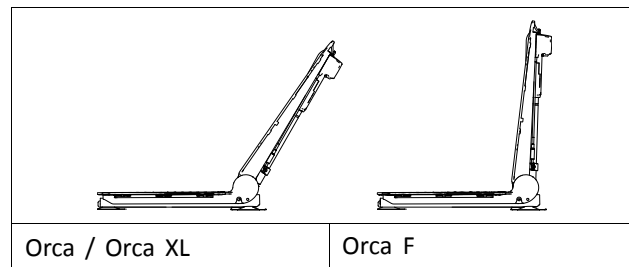
Fig. 4-8



Fare for skade

Skader på produktet på grunn av feil montering av ryggenet.

- Sørg for at begge krokene B på ryggenet aktiveres i hengslene C på seteplaten.
- Sørg for at ryggenet er rettet opp til endestillingen uten å bruke makt og med betydelig motstand. Endestillingen vises på følgende bilde.



Orca / Orca XL

Orca F

7.

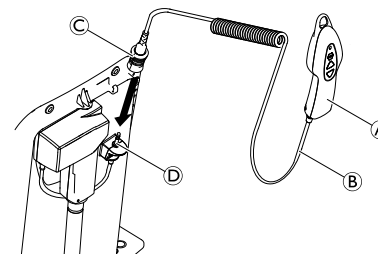


Fig. 4-9

Du kobler håndkontrollen A til badekarheisen ved å koble kontakten med låsehylsen C til pluggen D helt til du merker at låsemekanismen aktiveres.



Fare for skade

- Sjekk at ryggenet ikke berører kanten på badekaret.
- Plasser om nødvendig badekarheisen lenger fram i badekaret. Hvis du skal plassere badekarheisen lenger fram i badekaret, senker du badekarheisen helt ned, løsner sugekoppene og flytter deretter badekarheisen.

4.3 Lade batteriet

Badekarheisen kan ikke brukes mens batteriet lades opp.



ADVARSEL!

Fare for elektrisk støt.

- Batteriet skal kun lades i tørre omgivelser ved romtemperatur (15 °C til 25 °C) og aldri på badet.



Fare for skade

- Bruk bare den medfølgende laderen til å lade batteriet i håndkontrollen.
- Laderen skal bare kobles til strømforsyningen når håndkontrollen er koblet til laderen.
- Kontroller at spenningsspesifikasjonene angitt på laderen samsvarer med nettspenningen.

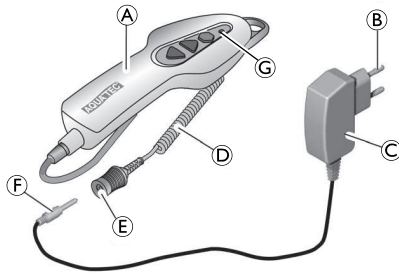


Fig. 4-10

1. Sett pluggen ⑥ til laderen ③ inn i kontakten ⑤ på spiralkabelen ④ for håndkontrollen ① til den aktiveres på plass.
2. Sett laderens støpsel ② inn i en stikkontakt.



Den røde indikatorlampen ③ på håndkontrollen slukkes når batteriet er fulladet. Pass på at batteriet ikke blir overladet.

3. Koble laderen fra stikkontakten.
4. Trekk pluggen til laderen ut av kontakten på håndkontrollen.

5 Bruk

5.1 Sikkerhetsinformasjon



FORSIKTIG!

Risiko for personskade eller skade på utstyr

Fukt kan trenge inn i en skadet håndkontroll, noe som kan føre til kortslutning og brann.

- Før du bruker dusj- og toalettstolen, må du alltid sjekke at den ikke har skader.
- Hvis huset til håndkontrollen er skadet eller har sprekker, må du ikke bruke håndkontrollen.



FORSIKTIG!

Klemfare

- Stikk ikke fingrene inn i føringen mellom seteplaten og ryggstøtten.
- Ikke stikk hendene inn under seteplaten eller inn i løftmekanismen.



Fare for skade

Overlading av badekarløfteren kan føre til skade på utstyret eller kan hindre løftefunksjonen.

- Pass på så badekarheisen ikke blir overbelastet. Overhold spesifikasjonene på identifikasjonsmerket. Maksimal belastning står oppgitt i *10 Tekniske Data, side 252*



Lad opp batteriet regelmessig batteri, se *3,4 Lade batteriet i 4 Montering, side 237*.



Se *10.4 Miljøparametere, side 253* for mer informasjon om bruksbetingelser.

5.2 Styre badekarheisen

Badekarheisen kan beveges i følgende retninger:



Fig. 5-1

Badekarheisen styres via håndkontrollen, enten av brukeren eller av en assistent.



Med et fulladet batteri kan ORCA og ORCA F utføre 5 badeoperasjoner med en belastning på 140 kg. ORCA XL kan utføre 4 badeoperasjoner med en belastning på 170 kg.

- Ⓐ Nødstoppknapp
- Ⓑ Opp-knapp
- Ⓒ Håndkontroll
- Ⓓ Ned-knapp
- Ⓔ Indikatorlampe

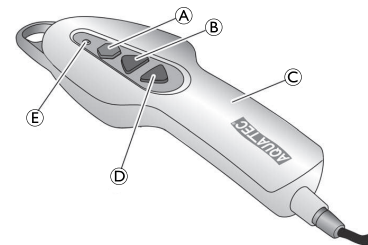


Fig. 5-2

**Fare for skade**

– Håndkontrollen må kun brukes når rygglenet er korrekt montert og i opprett stilling.



Hvis batteriet i håndkontrollen © ikke er tilstrekkelig oppladet, lyser indikatorlampen ⑤ rødt når du trykker på Ned-knappen ①. I et slikt tilfelle vil badekarheisens senkeposisjon være deaktivert. Du kan imidlertid fremdeles heve heisen.

1. Lad opp batteriet umiddelbart etter at du har hevet badekarheisen.

Heve badekarheisen

Dersom rygglenet senkes, vil det først bevege seg til opprett stilling (ikke på modellen ORCA F)

1. Trykk på Opp-knappen ② på håndkontrollen og hold den trykket inn.
Rygglenet beveger seg til opprett stilling, eller setet beveger seg oppover.
2. Slipp opp Opp-knappen på håndkontrollen.
Badekarheisen stopper i den stillingen den er kommet i.

Senke badekarheisen

Hvis setet allerede er senket, senkes rygglenet bakover (ikke på modell ORCA F).

1. Trykk inn Ned-knappen ① på håndkontrollen og hold den inne.
Setet beveger seg nedover, eller rygglenet vipper bakover.
2. Slipp opp Ned-knappen på håndkontrollen.
Badekarheisen stopper i den stillingen den er kommet i.

Nødstoppknapp**Fare for skade**

Du skal bare trykke inn nødstoppknappen ④ hvis enheten ikke stopper umiddelbart når du slipper Opp- eller Ned-knappen (f.eks. hvis en knapp henger seg opp). Badekarheisen slutter øyeblikkelig å bevege seg, og indikatorlampen på håndkontrollen begynner å lyse.

Hvis den røde indikatorlampen slukkes etter at du har sluppet nødstoppknappen, har feilen blitt løst (knappen henger f.eks. ikke lenger). Enheten er klar til bruk igjen.

Hvis den røde indikatorlampen fortsetter å lyse etter at du har sluppet nødstoppknappen, har feilen ikke blitt løst. Utstyret er ikke klart til bruk, men må repareres, for eksempel ved skade på elektronikk.



Kontakt om nødvendig leverandøren.

5.3 Bading



ADVARSEL! Sklifare

Badekarheisen kan skli dersom sugekoppene ikke har godt nok grep.

- Kontroller at badekarheisen står trygt og ikke kan velte, før du bruker den.
- Påse at badekaret som badekarheisen settes opp i, har riktige mål. Se 4.2 *Montere badekarheisen, side 237*.



ADVARSEL! Skaderisiko

- Dersom tilstanden din er slik at du ikke kan bade på egen hånd, må du kun bruke heisen under tilsyn.
- Hvis du bruker enheten uten tilsyn, må du sørge for å ha et alarmsystem eller en telefon innen rekkevidde i tilfelle noe uforutsett skulle skje (f.eks. at utstyret svikter).
- Kontroller temperaturen i badevannet før du bruker badekarheisen.



Fare for skade

Badeoljer eller -salter kan påvirke glidefunksjonen til løftearmene.

- Dersom du bruker slik badeprodukter, må du ikke overstige den anbefalte dosen.



Kjør heisen én gang helt opp og deretter helt tilbake til bunnen (funksjonstest).

1. Trykk på og hold inne Opp-knappen helt til setet er i flukt med kanten på badekaret.
2. Pass på at sideklaffene er i flukt med setet og hviler mot kanten av badekaret (utgangsposisjon).
3. Fyll badekaret med vann.
4. Sitt på sideklaffen nærmest deg som du hadde sittet på en stol.
5. Skyv deg bakover til du sitter midt på setet.
6. Snu deg i badestilling ved å løfte først den ene foten og deretter den andre foten over kanten på badekaret.
7. Når du sitter slik du skal, trykker du på og holder inne Ned-knappen for å senke setet ned i badekaret.



Når setet har nådd nederste stilling, kan du legge rygglenet bakover ved å fortsette å holde inne Ned-knappen. Dette gir en mer komfortabel badeposisjon og gjør at du kan senke deg dypere i badevannet (ikke på modellen ORCA F).

8. Hold Ned-knappen trykket inn frem til rygglenet har nådd ønsket posisjon.



Når du skal ut av badekaret, utfører du disse trinnene i omvendt rekkefølge.

9. Hvis du vil heve rygglenet eller badekarheisen, trykker du på og holder nede Opp-knappen helt til setet er på samme nivå som kanten på badekaret.



Fare for skade

- Koble håndkontrollen fra enheten når badekarheisen ikke er i bruk, se 6.2 *Ta ut badekarheisen, side 245* trinn 3.

6 Transport

6.1 Sikkerhetsinformasjon

- ! **Fare for skade**
 - Rygglenet er ikke låst til setet når det er foldet, og kan løsne.

1. Fjern håndkontrollen.
2. Demonter badekarheisen i to deler for transport (understell med seteplate, og rygglenet), se 6.2 *Ta ut badekarheisen*, side 245

- ! **Fare for skade**
 - Fjern ikke sugekoppene under transport av badekarheisen.
 - Se betingelsene for oppbevaring og transport i kapitlet *10.4 Miljøparametere*, side 253

6.2 Ta ut badekarheisen

1. La vannet renne ut av badekaret.
2. Senk badekarheisen med Ned-knappen inntil rygglenet stopper i helt nedsenket posisjon, se 5.2 *Styre badekarheisen*, side 242
3. Lås opp kontakten på spiralkabelen for håndkontrollen ved å skyve opp låsehylsen og trekke den av pluggen.

4.

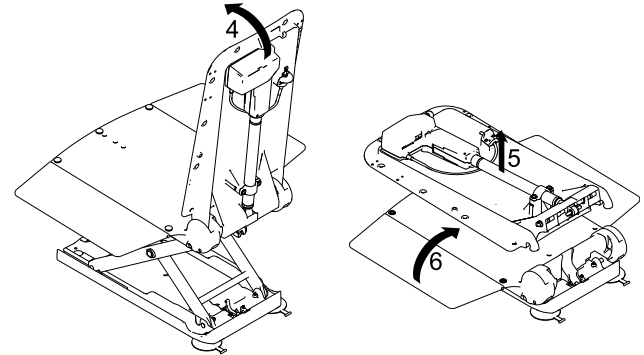


Fig. 6-1

Hold rygglenet i hodeenden med én hånd, og fold det sakte fremover til endeposisjonen.

- ! **Fare for skade**
 - Legg ikke ned rygglenet hvis det er vann i badekaret.
 - Før du folder ned rygglenet, må du sjekke at det er helt nedsenket.
 - Når du legger ned rygglenet, må du kontrollere at spiralkabelen for håndkontrollen ikke kommer i klem.

5. Trekk rygglenet opp fra setet og ut av badekaret.
6. Brett sideklaffene på setet innover.

7.

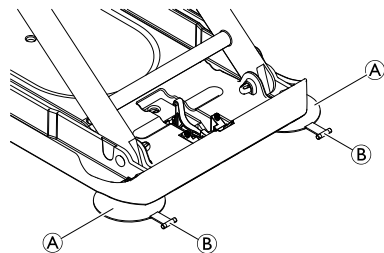




Fig. 6-2


Løsne de bakre sugekoppene ① ved å trekke opp de fremstikkende klaffene ②.

 Frigjør begge sugekoppene samtidig.

8. Løft bakenden på setet lite grann. Dette frigjør de fremre sugekoppene.

 Dersom det er montert høydeadaptere (ekstraustyr), må du også trekke i klaffene til de fremre sugekoppene for å frigjøre dem.

9. Ta understellet med seteplaten ut av badekaret.

 Sjekk at alle sugekoppene har blitt frigjort, før du tar setet ut av badekaret.

10. Legg forsiktig alle badekarheisens deler til oppbevaring.

7 Vedlikehold

7.1 Vedlikehold og kontroll

Hvis man overholder rådene som er gitt for pleie og vedlikehold, er produktet vedlikeholdsfritt.



Fare for skade

Håndkontrollen kan bare åpnes av produsenten av badekarheisen.

1. Kontroller regelmessig at produktet er uten skader, og at alle deler er festet slik de skal.
2. Dersom det oppstår skader eller reparasjonsbehov, må du kontakte leverandøren umiddelbart.
3. Badekarheisen skal kontrolleres av en autorisert leverandør før den går over til en ny bruker. Vi anbefaler at badekarheisen kontrolleres når det har gått senest 24 måneder (i samsvar med DIN EN ISO 10535).
4. Dersom badekarheisen står ubrukt en lengre periode, må batteriet lades helt opp, og badekarheisen må heves og senkes 3 ganger uten last. Gjenta denne prosedyren hver 3. måned. Denne prosedyren bidrar til å opprettholde batteriets levetid.

7.2 Rengjøring og desinfisering

7.2.1 Generell sikkerhetsinformasjon



FORSIKTIG!

Fare for kontaminering

- Ta dine egne forholdsregler og bruk passende verneutstyr.



FORSIKTIG!

Fare for elektrisk støt og skade på produktet

- Slå av enheten og koble den fra nettet om aktuelt.
- Vurder verneklassen angående vanninntrenging når du rengjør elektroniske komponenter.
- Pass på at det ikke sprutes vann på støpselet eller stikkkontakten.
- Ikke ta i stikkkontakten med våte hender.



VIKTIG!

Feil væsker eller metoder kan skade eller ødelegge produktet.

- Alle rengjørings- og desinfeksjonsmidler må være av god kvalitet og kompatible med hverandre. I tillegg må de beskytte materialene de skal rengjøre.
- Bruk aldri etsende væsker (baser, syrer osv.) eller slipende rengjøringsmidler. Vi anbefaler et vanlig rengjøringsmiddel for husholdning som for eksempel oppvaskmiddel hvis ikke noe annet er spesifisert i rengjøringsanvisningene.
- Bruk aldri et løsemiddel (cellulosefjernere, aceton etc.) som forandrer plastens struktur eller får etikettene til å løsne.
- Sørg alltid for at produktet er helt tørt før det tas i bruk igjen.



For rengjøring og desinfeksjon i kliniske omgivelser eller ved langvarig pleie, gjelder institusjonelle retningslinjer for hygiene.

7.2.2 Rengjøringshyppighet



VIKTIG!

Regelmessig rengjøring og desinfeksjon bidrar til problemfri bruk, lenger levetid og forhindrer kontaminering.

Rengjør og desinfiser produktet

- jevnlig mens det er i bruk,
- før og etter enhver serviceprosedyre,
- når det har vært i kontakt med enhver type kroppsvæske,
- før det brukes på en ny bruker.

7.2.3 Rengjøringsanvisninger

Produktet kan rengjøres ved bruk av kommersielt tilgjengelige rengjøringsmidler

Rengjøre setet og rygglenet



FORSIKTIG!

Klemfare


- Vær særlig forsiktig når du rengjør i området rundt løftearmene, da disse kan bevege seg og forårsake skade.



Fare for skade

- Bruk aldri en høytrykksvasker til å rengjøre rygglenet.

1. Vask produktet med en klut eller en børste.
2. Skyll produktet med varmt vann.

3. Tørk produktet med en klut.
4. Smør glideskinen for glideskoen lett (se fig. 3.1, element  i kapittel 3.3 *Komponenter, side 235*) med vaselin.

Rengjøre trekk (ekstraustyr)



Vi anbefaler at trekk vaskes før de tas i bruk første gang. Av hygieniske grunner anbefaler vi at trekkene rengjøres regelmessig, og at de skiftes ut hvert år.

1. Knapp opp trekket på setet og rygglenet.
2. Vask trekkene i vaskemaskin ved maks. 60 °C med et mildt vaskemiddel.



Fare for skade

- Vask ved høye temperaturer kan forårsake skade på eller krymping av trekket.
- Tørk ikke trekk i tørketromler.

Rengjøre lader og håndkontroll



ADVARSEL!

Fare for elektrisk støt.

- Koble alltid laderen fra stikkkontakten før du rengjør den.
- Stikk aldri gjenstander som består av ledende materialer (f.eks. strikkepinner eller metallstifter), inn i kontakten på håndkontrollen.
- Bruk aldri en våt eller fuktig klut til å rengjøre laderen.

1. Rengjør laderen med en tørr klut.
2. Rengjør håndkontrollen med en fuktig klut.
3. Bruk en tørr klut til å tørke håndkontrollen.

7.2.4 Instruksjer for desinfisering



Informasjon om anbefalte desinfeksjonsmidler og -metoder finner du på <https://vah-online.de/en/for-users>.

I hjemmet

Metode: Følg bruksmerknadene for det aktuelle desinfeksjonsmiddelet, og desinfiser med klut på alle tilgjengelige overflater.

Desinfiseringsmiddel: Vanlig desinfiseringsmiddel til husholdningsbruk.

Tørking: La produktet lufttørke.

På helseinstitusjoner og ved langtidspleie

Følg de interne desinfiseringsprosedyrer, og bruk bare de desinfeksjonsmidlene og metodene som er angitt der.

8 Etter bruk

8.1 Oppbevaring



Fare for skade

- Oppbevar ikke produktet nær varmekilder.
- Ikke oppbevar batteriet nær åpen ild.
- Ikke utsett produktet for direkte sollys.
- Se betingelsene for oppbevaring og transport i avsnittet *10.4 Miljøparametere, side 253*

8.2 Overhaling

Dette produktet er egnet for gjenbruk. Utfør følgende punkter når produktet skal overhales og overføres til en ny bruker:

- Kontroll
- Rengjøring og desinfisering

Detaljert informasjon finner du under *7 Vedlikehold, side 247* og i servicehåndboken for dette produktet.

Sørg for at bruksanvisningen overleveres sammen med produktet.

Hvis det oppdages skade eller feil, må du ikke bruke produktet på nytt.

8.3 Avfallshåndtering



ADVARSEL!

Miljøfare

- Produktet inneholder batterier. Produktet kan inneholde stoffer som kan skade miljøet dersom produktet blir kastet på steder (søppelfyllinger) som ikke er i samsvar med lover og forskrifter.
- IKKE kast batterier sammen med vanlig husholdningsavfall.
 - IKKE kast batteriene i åpen ild.
 - Batterier MÅ leveres til et egnet avfallsmottak. Retur av batterier er lovpålagt og gratis.
 - Batteriene må være utladet før de kasseres som avfall.
 - Dekk til litiumbatterienes terminaler før kassering.
 - For informasjon om batteritype, se batterietikett eller kapittel *10 Tekniske Data, side 252*

Vi ber deg vise miljøansvar og levere dette produktet til en lokal gjenvinningsstasjon ved endt brukstid.

Demonter produktet og dets komponenter, slik at de ulike materialene kan sorteres og gjenvinnes hver for seg.

Kassering og gjenvinning av brukte produkter og emballasje må overholde lovene og forskriftene for avfallshåndtering i hvert land. Ytterligere informasjon får du hos det lokale renovasjonsselskapet.

9 Feilsøking

9.1 Avdekke og reparere feil



Tabellen nedenfor gir opplysninger om feil og mulige årsaker. Hvis du ikke kan rette opp feilen ved hjelp av tipsene som er angitt, må du kontakte en leverandør.

Feil	Mulig årsak	Løsning
Ingen hørbar motorlyd / heisen beveger seg ikke.	Kontakten på håndkontrollen er ikke koblet til riktig.	Koble til kontakten slik at den aktiveres, → 4.2 <i>Montere badekarheisen, side 237</i>
	Batteriet er utladet.	Lad opp batteriet fullstendig, → 4.3 <i>Lade batteriet, side 241</i>
	Kontaktene er skitne.	Rengjør rygglenets støpsel, → kontakt om nødvendig leverandøren.
	Kabel er i klem / skadet.	Bytt ut håndkontrollen, → kontakt om nødvendig leverandøren.
Heisen kan heves, men ikke senkes.	Lavspenningsbeskyttelsen er aktivert.	Lad opp batteriet fullstendig, → 4.3 <i>Lade batteriet, side 241</i>
Heisen stanser under heving.	For høy belastning.	Overhold maksimumsbelastningen, → 10.1 <i>Dimensjoner og vekt, side 252</i>
Badekarheisen fester seg ikke godt til badekaret.	Sugekoppene er gamle eller skadet.	Bytt ut sugekoppene, → kontakt om nødvendig leverandøren.
Batteriet lades ikke, og den røde indikatorlampen blinker under lading	Feil med elektronikken.	Få en autorisert leverandør til å kontrollere håndkontrollen.
	Feil på batteriet.	Bytt ut håndkontrollen.
	Feil med laderen.	Få en autorisert leverandør til å kontrollere laderen.
	Batteriet er for varmt.	Lad ikke opp håndkontrollen nær varmekilder, f.eks. varmeelementer eller i direkte sollys. Ladingen fortsetter automatisk når temperaturen synker til de tillatte grensene.

10 Tekniske Data

10.1 Dimensjoner og vekt

Total lengde i laveste stilling	920 mm
Total lengde i høyeste stilling	650 mm
Total høyde i høyeste stilling	1075 mm
Lengde sete	590 mm
Bredde sete ved utslåtte sideklaffer	715 mm
Bredde sete med innslåtte seteklaffer	390 mm
Setehøyde i laveste stilling	60 mm
Setehøyde i høyeste stilling	420 mm
Bredde ryggstøtte	360 mm
Minste vinkel på ryggstøtte	8°
Bredde grunnplate	295 mm
Maks. belastning (ORCA / ORCA F) Maks. belastning (ORCA XL)	140 kg 170 kg
Total vekt uten manuell betjeningsenhet (ORCA) (ORCA F) (ORCA XL)	10,8 kg 11,4 kg 11,6 kg
Vekt sete (ORCA) (ORCA F) (ORCA XL)	6,6 kg 7,2 kg 7,4 kg

Vekt ryggstøtte (ORCA / ORCA F / ORCA XL)	4,2 kg
Vekt manuell betjeningsenhet	0,4 kg
Vekt lader	0,1 kg

10.2 Elektroniske data

Aktiveringskraft for knappene på håndkontrollen	< 5 N
Driftsspenning for håndkontrollen ¹⁾	11,1 VDC / 10,95 VDC / 10,8 VDC
Nominell inngangseffekt ¹⁾	44 VA / 43 VA
Merkestrøm	4 A
Batteritype	Litiumion
Inngangsstrøm, lader	100–240 V AC, 50–60 Hz
Utgangsstrøm, lader	24 V DC, 135 mA, 3 VA
Ladetid fra varsel om lav spenning	ca. 4,5 t
Type beskyttelse, motor	IP X6 W ²⁾
Type beskyttelse, håndkontroll	IP 67 ³⁾
Type beskyttelse, hele enheten	IP X6 ⁴⁾
Lydnivå	52 dB (A)

Løftmotoren slås ikke av når produktet er overbelastet. Ikke overbelast badekarheisen, for å unngå skader.

¹⁾ 11,1 VDC / 44 VA gjelder ved bruk av håndkontroller med spenning på 11,1 V, angitt på baksiden av håndkontrollen. 10,95 VDC / 44 VA gjelder ved bruk av håndkontroller med spenning på 10,95 V, angitt på baksiden av håndkontrollen. 10,8 VDC / 43 VA gjelder ved bruk av håndkontroller med spenning på 10,8 V, angitt på baksiden av håndkontrollen.

²⁾ Beskyttet mot vanninntrengning ved sterke vannstråler, testet under fastsatte værforhold.

³⁾ Støvtett og beskyttet mot inntrengning av vann under midlertidig nedsenking.

⁴⁾ Beskyttet mot vanninntrengning ved kraftige vannstråler.

10.3 Materialer

Ryggene	Glassfiberarmert polypropylen
Seteplate	Glassfiberarmert polypropylen
Trekk	PVC



Alle materialer som benyttes, er korrosjonsbestandige og lateksfrie.

10.4 Miljøparametere

Driftsforhold	
Omgivelsestemperatur	10–40 °C

Relativ luftfuktighet	15–93 %, ikke-kondenserende
Atmosfærisk trykk	795–1060 hPa
Forhold under oppbevaring og transport	
Omgivelsestemperatur	0–40 °C
Relativ luftfuktighet	30–75 %, ikke-kondenserende
Atmosfærisk trykk	795–1060 hPa

Innehållsförteckning

Den här bruksanvisningen måste ges till användaren. Innan du använder produkten måste du läsa denna bruksanvisning och spara den för framtida behov.

1 Allmänt	.256
1.1 Inledning	.256
1.2 Symboler som används i det här dokumentet	.256
1.3 Garanti	.256
1.4 Överensstämmelse	.257
1.4.1 Produktspecifika standarder	.257
1.5 Produktlivslängd	.257
1.6 Ansvarsbegränsning	.257
2 Säkerhet	.258
2.1 Säkerhetsinformation	.258
2.2 Säkerhetsinformation om elektromagnetisk kompatibilitet	.259
2.3 Etiketter och symboler på produkten	.259
3 Produktöversikt	.261
3.1 Produktbeskrivning	.261
3.2 Avsedd användning	.261
3.3 Komponenter	.261
4 Inställningar	.263
4.1 Säkerhetsinformation	.263
4.2 Montera badkarslyften	.263
4.3 Ladda batteriet	.267
5 Användande	.268
5.1 Säkerhetsinformation	.268
5.2 Styra badkarslyften	.268
5.3 Bada	.270
6 Transport	.272
6.1 Säkerhetsinformation	.272

6.2 Ta bort badkarslyften	.272
7 Underhåll	.274
7.1 Service och inspektion	.274
7.2 Rengöring och desinfektion	.274
7.2.1 Allmän säkerhetsinformation	.274
7.2.2 Rengöringsintervall	.275
7.2.3 Instruktioner för rengöring	.275
7.2.4 Instruktioner för rengöring och desinficering	.276
8 Återanvändning	.277
8.1 Förvaring	.277
8.2 Rekonditionering	.277
8.3 Kassering	.277
9 Felsökning	.278
9.1 Identifiera och åtgärda problem	.278
10 Teknisk Data	.279
10.1 Mått och vikt	.279
10.2 Elektroniska data	.279
10.3 Material	.280
10.4 Miljöparametrar	.280

1 Allmänt

1.1 Inledning

Den här bruksanvisningen innehåller viktig information om hantering av produkten. Läs igenom bruksanvisningen noga och följ säkerhetsinstruktionerna för att försäkra dig om att du använder produkten på ett säkert sätt.

Observera att det kan finnas avsnitt i den här bruksanvisningen som inte gäller för din produkt eftersom bruksanvisningen avser alla tillgängliga modeller (vid tidpunkten för tryckning). Om inget annat anges hänvisar varje avsnitt i den här bruksanvisningen till alla modeller av produkten.

De modeller och konfigurationer som är tillgängliga i ditt land återfinns i de landsspecifika försäljningsdokumenten.

Invacare förbehåller sig rätten att ändra produktspecifikationerna utan ytterligare meddelande.

Kontrollera att du har den senaste versionen av den här bruksanvisningen innan du läser den. Du hittar den senaste versionen som PDF-fil på webbplatsen för Invacare.

Om du tycker att teckensnittsstorleken i den tryckta versionen av bruksanvisningen är svår att läsa kan du ladda ned PDF-versionen från webbplatsen. Du kan sedan förstora PDF-filen på skärmen till en teckensnittsstorlek som passar dig bättre.

Kontakta en Invacare-representant om du vill ha mer information om produkten, till exempel produktsäkerhetsmeddelanden och produktåterkallelser. Adresser finns i slutet av det här dokumentet.

Om en allvarlig incident inträffar med produkten bör du informera tillverkaren och den behöriga myndigheten i ditt land.

1.2 Symboler som används i det här dokumentet

Symboler och signalord som används i det här dokumentet och gäller för faror eller farliga förfaranden som kan leda till personskador eller skador på egendom. Symbolerna definieras nedan.



VARNING

Anger en riskfylld situation som kan leda till allvarlig skada eller dödsfall om den inte undviks.



FÖRSIKTIGT

Anger en riskfylld situation som kan leda till lättare skada om den inte undviks.



VIKTIGT

Anger en riskfylld situation som kan leda till produktskada om den inte undviks.



Tips och rekommendationer

Ger användbara råd, rekommendationer och information för en effektiv och problemfri användning.

1.3 Garanti

Vi tillhandahåller en tillverkargaranti för produkten i enlighet med våra allmänna affärsvillkor i respektive land. Garantianspråk kan endast göras genom den hjälpedelscentral som tillhandahöll produkten.

Överdrag och sugkoppar omfattas inte av garantin.

1.4 Överensstämmelse

Kvalitet är absolut grundläggande för företagets verksamhet, och vi arbetar i enlighet med standarden i ISO 13485.

Den här produkten är CE-märkt i enlighet med den medicintekniska förordningen 2017/745 klass 1. Lanseringsdatum för produkten anges i CE-försäkran om överensstämmelse.

Vi arbetar ständigt på att se till att företaget påverkar lokal och global miljö så lite som möjligt.

Vi använder endast material och komponenter som följer REACH-direktivet.

Vi följer gällande miljölagstiftning, WEEE- och RoHS-direktivet.

1.4.1 Produktspecifika standarder

Produkten uppfyller kraven i standarden DIN EN ISO 10535 (Lyftar för personer med funktionshinder).

Om du vill ha mer information kan du kontakta Invacare® i ditt land (adresser finns på baksidan av den här manualen).

1.5 Produktlivslängd

Denna produkts förväntade livslängd är fem år när den används dagligen i enlighet med de säkerhetsinstruktioner, underhållsintervall och korrekt användning som anges i denna manual. Den faktiska livslängden kan variera beroende på hur mycket och intensivt produkten används.

1.6 Ansvarsbegränsning

Invacare ansvarar inte för skador som uppkommer till följd av

- att bruksanvisningen inte följs
- felaktig användning
- normalt slitage
- felaktig montering eller inställning som utförs av köparen eller tredje part
- tekniska ändringar
- obehöriga ändringar och/eller användning av olämpliga reservdelar.

2 Säkerhet

2.1 Säkerhetsinformation



VARNING!

Risk för allvarliga personskador eller materiella skador

Felaktig användning av den här produkten kan orsaka person- eller saksador.

- Om du inte kan förstå varningarna eller instruktionerna ska du kontakta hälso- eller sjukvårdspersonal eller leverantören innan du använder utrustningen.
- Använd inte produkten eller någon tillvalsutrustning innan du har läst och förstått de här instruktionerna och eventuellt ytterligare instruktionsmaterial som bruksanvisning, servicemanualer eller instruktionsblad som medföljer produkten eller tillvalsutrustningen.



VARNING!

Risk för personskador

- Använd inte produkten om den är defekt.
- Kontakta genast din leverantör i händelse av funktionsfel.
- Gör inga obehöriga förändringar eller ändringar av produkten.
- Stå aldrig på badkarslyften för att komma i eller ur badkaret, och använd den inte för att klättra upp eller ned, eller som lyftredskap eller andra liknande ändamål.



VARNING!

- Innan produkten används första gången ska den rengöras noggrant.
- Före varje användningstillfälle ska du kontrollera produkten beträffande eventuella skador och säkerställa att den är korrekt monterad.



FÖRSIKTIG!

Risk för personskador

Delar som ej är original eller som är felaktiga kan påverka produktens funktion och säkerhet.

- Använd endast originaldelar för den produkt som används.
- På grund av regionala skillnader ska du kontrollera din lokala Invacare-katalog eller webbplats för tillgängliga tillval eller kontakta din lokala Invacare-representant. Adresser finns i slutet av det här dokumentet.

2.2 Säkerhetsinformation om elektromagnetisk kompatibilitet



VARNING!

Risk för fel på grund av elektromagnetiska störningar

Elektromagnetiska störningar mellan denna produkt och annan elektrisk utrustning kan uppstå och inverka på produktens elektriska manöverfunktioner. För att förebygga, reducera och eliminera sådana elektromagnetiska störningar:

- Använd endast kablar, tillbehör och reservdelar som är original för att inte öka den elektromagnetiska strålningen eller reducera produktens elektromagnetiska integritet.
- Använd inte kommunikationsutrustning som nyttjar radiofrekvenser (RF) inom 30 cm avstånd från någon del av denna produkt (inklusive kablar).
- Använd inte denna produkt nära aktiv högfrekvent kirurgisk utrustning eller ett RF-avskärmat rum med ett system för magnetisk resonanstomografi, där det förekommer elektromagnetiska störningar av hög intensitet.
- Om störningar uppstår, öka avståndet mellan denna produkt och annan utrustning eller stäng av den.



VARNING!

Risk för fel

Elektromagnetiska störningar kan orsaka fel.
 – Använd inte den här produkten intill eller ovanpå annan elektrisk utrustning. Om sådan användning krävs måste produkten och annan utrustning övervakas för att verifiera att de fungerar som de ska.

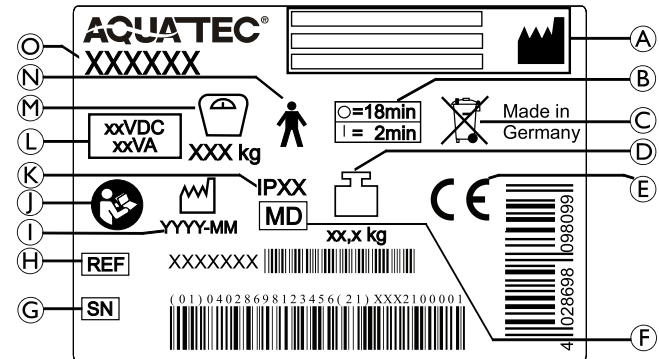


Vi känner inte till några risker vid användning av pacemakers och liknande.


2.3 Etiketter och symboler på produkten

Serienummeretikett

På serienummeretiketten finns viktig information:



Ⓐ	Tillverkarens namn och adress
Ⓑ	Användningsintervall (kontinuerlig motordrift är inte tillåtet): max 2 minuters kontinuerlig användning följt av 18 minuters paus.
Ⓒ	Anmärkning (kassering)
Ⓓ	Produktens vikt
Ⓔ	Europeisk överensstämmelse
Ⓕ	Medicinteknisk produkt
Ⓖ	Serienummer
Ⓗ	Referensnummer
Ⓘ	Tillverkningsdatum
Ⓝ	Läs bruksanvisningen
Ⓚ	Skyddstyp
Ⓛ	Nominell spänning/nominell effekt, see <i>10 Teknisk Data, sida 279</i>
Ⓜ	Brukarens maxvikt
Ⓝ	Patientansluten del typ B
©	Produktbeteckning

 Serienumeretiketten sitter på ryggstödet baksida.

3 Produktöversikt

3.1 Produktbeskrivning

Aquatec ORCA, ORCA F och ORCA XL är batteridrivna badkarslyftar avsedda att användas som ett hjälpmedel för att kliva i eller ur ett badkar. De består av en sittplatta (med inbyggda sidoflikar) med en halsäker yta.

ORCA och ORCA XL har ett styvt ryggstöd som kan sänkas ned med en fjärrkontroll. ORCA F har ett fast ryggstöd. Sits- och ryggstödsöverdrag finns som tillval för alla modellerna.

Alla modeller har en fjärrkontroll som styr sitsen upp eller ned.

Ryggstödet kan utrustas med sidodelar för att öka stödet och säkerheten.

3.2 Avsedd användning

Aquatec ORCA, ORCA F och ORCA XL är avsedda att användas som ett hjälpmedel för att kliva i eller ur ett badkar på ett säkert sätt och utan ansträngning.

Avsedda användare

Brukare är personer med begränsad eller nedsatt rörlighet (t. ex. ben och/eller höfter). Vid användning utan en assistent måste brukaren själv kunna hålla balansen.

Indikationer

- Begränsad eller nedsatt rörlighet (t.ex. ben och/eller höfter) eller
- som har balansproblem när man står upp eller går på grund av tillfälliga eller permanenta funktionshinder.

Kontraindikationer

Det finns inga kända kontraindikationer för användning av den här produkten.

Brukarens maxvikt är:

- 140 kg (ORCA/ORCA F)
- 170 kg (ORCA XL)

3.3 Komponenter

Följande delar ingår i leveransen:

Manöverdosa och laddare

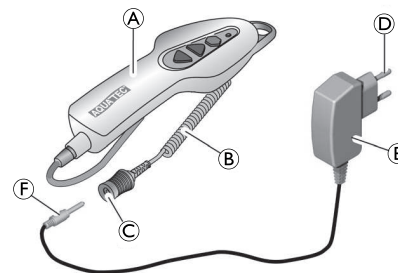


Fig. 3-1

- | | |
|-----------------------------|---------------|
| (A) Manöverdosa med batteri | (D) Elkontakt |
| (B) Spiralsladd | (E) Laddare |
| (C) Uttag | (F) Kontakt |

Sits

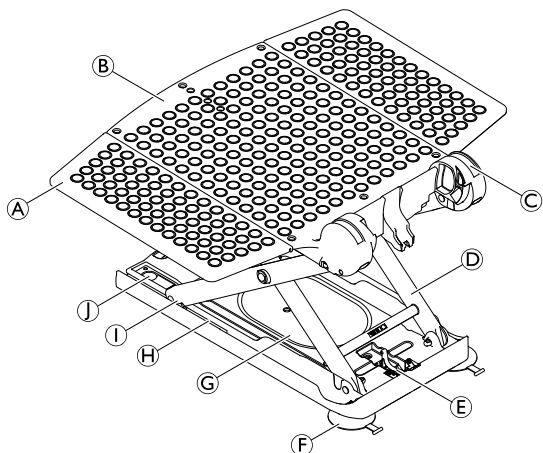


Fig. 3-2

- Ⓐ Sidoflik
- Ⓑ Sittplatta
- Ⓒ Gångjärn för ryggstöd
- Ⓓ Lyftsax
- Ⓔ Spindelfotens hållare
- Ⓕ Bakre sugkoppar (med gängning)
- Ⓖ Basplatta
- Ⓗ Spår för glidkuts
- Ⓘ Glidkuts
- ⓵ Främre sugkoppar (en flik med huvud)

Ryggstöd

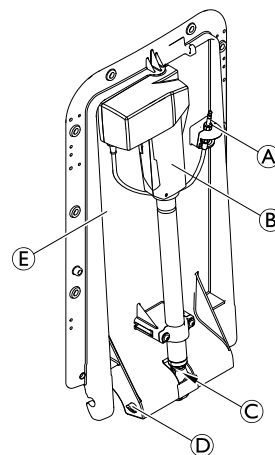


Fig. 3-3

- Ⓐ Kontakt
- Ⓑ Drive (Enhet)
- Ⓒ Spindelfot
- Ⓓ Låssprint
- Ⓔ Platta, ryggstöd

4 Inställningar

4.1 Säkerhetsinformation



Risk för produktskador

- Kontrollera alla delar för att se om de har skadats under transport och kontrollera dem före användning. Kontakta leverantören vid behov.
- Se till att delarna är rätt placerade i förhållande till varandra under monteringen.
- Vi rekommenderar att överdragen tvättas före den första användningen, se 7.2 Rengöring och desinfektion, sida 274

4.2 Montera badkarslyften



VARNING!

Halkrisk

- Badkarslyften kan glida om sugkopparna inte sitter fast ordentligt.
- Rengör badkaret och sugkopparna med en fuktig trasa innan du monterar badkarslyften.
 - Ändra inte badkarslyftens placering i badkaret efter att den har monterats.



VARNING!

Risk för personskador och sakskada!

- Placera endast badkarslyften i sådana badkar som uppfyller de specifikationer som anges i tabellen nedan.
- Om det rinner vatten över sidorna på badkaret ska specielsidoflikarna (finns som tillbehör) användas.

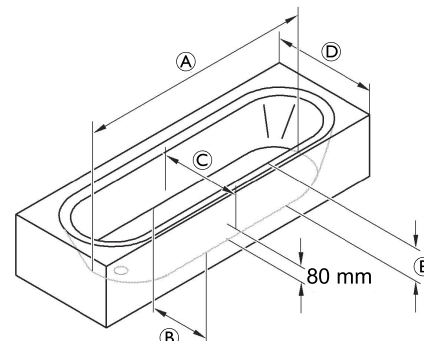


Fig. 4-1

Ⓐ	Badkarets längd, nere	≥ 800 mm
Ⓑ	Badkarets bredd, nere (invändigt)	≥ 280 mm
Ⓒ	Badkarets bredd vid 80 mm höjd (invändigt)	≥ 430 mm

Ⓓ	Badkarets bredd (utvändigt)	580–690 mm (med specialsido­flikar) 700–740 mm (med standardsido­flikar) 750–1000 mm (med specialsido­flikar)
Ⓔ	Badkarets höjd (invändigt)	≤ 420 mm (med höj­djustering högst +60 mm)

! Risk för produktskador

- Kontrollera att sugkopparna sitter fast ordentligt.
- Se till att batteriet i manöverdosan är laddat.
- Kom ihåg att bedöma vikterna korrekt när badkarslyftens komponenter lyfts upp, se *10.1 Mått och vikt, sida 279*
- Om ett handtag finns monterat inuti badkaret använder du sidoflikfördelarna (finns som tillbehör).
- Vik ut sidoflikarna innan du fäller upp ryggstödet.

1.

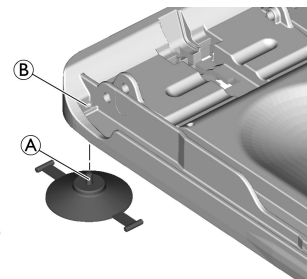


Fig. 4-2

Sätt tillbaka sugkoppen med gängskruven Ⓐ på hylsmuttern Ⓑ och skruva in den.
Skruva så långt sugkoppens huvud passar riktningen på bilden.

2.

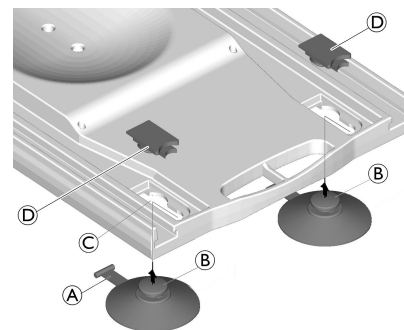


Fig. 4-3

Sätt vippen Ⓐ genom nyckelhålet Ⓒ och placera den i motsvarande urfräsning.
Mata ut sugkoppens huvud Ⓑ genom hålet Ⓒ och dra sugkoppens framåt.
Fäst sugkoppens huvud med rött lock Ⓓ.

3.

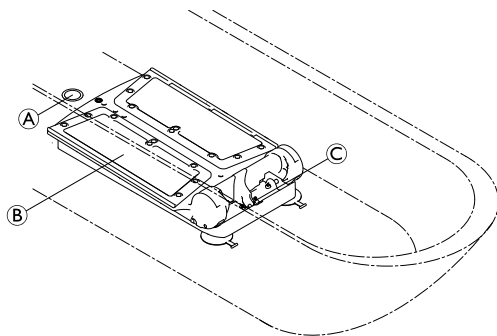


Fig. 4-4

Placera sitsen ② på botten av det tomma badkaret. Se till att spindelfotens hållare ③ pekar bort från den del av badkaret där avloppet sitter ①.

4.

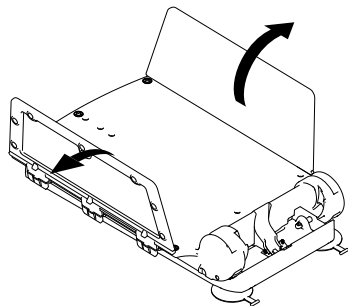


Fig. 4-5

Vik ut sitsens sidoflikar.

5.

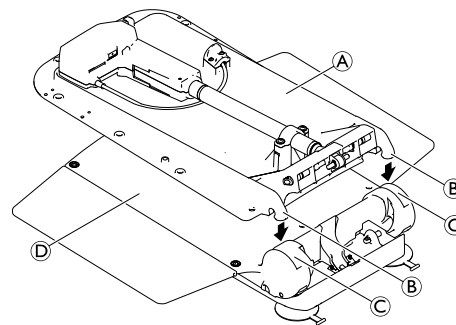


Fig. 4-6

Lägg ryggstödet ① (utan manöverdosa) på sitsen så att hakarna ② på ryggstödet passar i gångjärnen ③ på sittplattan ④.

6.



Risk för produktskador

Skada på produkten till följd av att spindelfoten har glidit ur.

- Se till att spindelfoten är helt indragen och att den är jämn och inte vriden innan du fäller upp ryggstödet.
- Se till att spindelfoten är i sin hållare när ryggstödet är uppfällt.

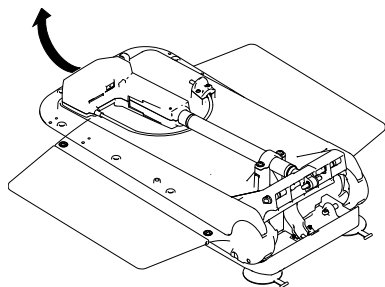


Fig. 4-7

Håll ryggstödet i mitten av huvudänden och fäll försiktigt upp det till ändläget.

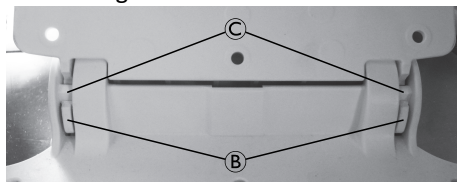


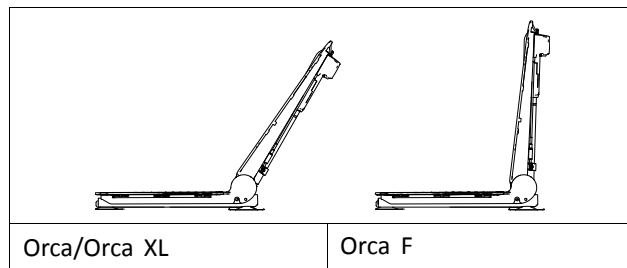
Fig. 4-8



Risk för produktskador

Skada på produkten på grund av felaktig montering av ryggstödet.

- Se till att båda hakarna ② på ryggstödet hakar fast i gångjärnen ③ på sittplattan.
- Se till att ryggstödet fälls upp till ändläget utan överdriven kraft eller kännbart motstånd. Ändläget visas i följande bild.



7.

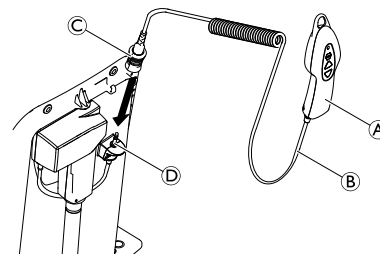


Fig. 4-9

Anslut manöverdosan ① till badkarslyften genom att ansluta uttaget med upplåsningshylsan ③ till kontakten ④ och se till att låsmekanismen aktiveras.



Risk för produktskador

- Se till att ryggstödet inte vidrör badkarskanten.
- Placera badkarslyften längre fram i badkaret, vid behov. Placera badkarslyften längre fram i badkaret genom att sänka badkarslyften till det nedersta läget, lossa sugkopparna och sedan flytta badkarslyften.

4.3 Ladda batteriet

Badkärslyften får inte användas medan batteriet laddas.



WARNING!

Risk för elektrisk stöt

- Ladda alltid batteriet i ett torrt rum i rumstemperatur (15–25 °C) och aldrig i badrummet.



Risk för produktskador

- Batteriet i manöverdosan får endast laddas med den medföljande laddaren.
- Anslut laddaren till eluttaget endast när manöverdosan är ansluten till laddaren.
- Se till att spänningsspecifikationerna på laddaren överensstämmer med de för eluttaget.

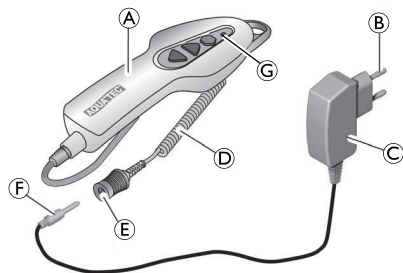


Fig. 4-10

1. Sätt i kontakten ⑥ på laddaren ③ i uttaget ⑤ på spiralsladden ④ till manöverdosan ① och se till att den sitter i ordentligt.
2. Anslut laddarens nätkabel ② till ett eluttag.



Den röda indikatorlampan ③ på manöverdosan släcks när batteriet är fullt laddat. Batteriet kan inte överladdas.

3. Koppla loss laddaren från eluttaget.
4. Dra ut laddarens kontakt ur uttaget på manöverdosan.

5 Användande

5.1 Säkerhetsinformation



FÖRSIKTIGT!

Risk för personskador eller produktskador

Fukt kan tränga in i manöverdosan om den är skadad, vilket kan leda till kortslutning och brand.

- Utför alltid en visuell inspektion av produkten för att upptäcka eventuella externa skador före varje användningstillfälle.
- Om manöverdosans kåpa skadas eller har sprickor ska manöverdosan inte användas.



FÖRSIKTIGT!

Klämrisk

- För inte in fingrarna i spåret mellan sitsen och ryggstödet.
- Sträck inte in handen under sittplattan eller mellan lyftsaxarna.



Risk för produktskador

Överbelastning av badkarslyften kan orsaka skada på enheten eller förhindra att den lyfter.

- Överbelasta inte badkarslyften. Läs specifikationerna på märkplåten eller se *10 Teknisk Data, sida 279* för information om belastningskapaciteten.



Ladda batteriet regelbundet, se *3,4 Ladda batteriet i 4 Inställningar, sida 263*



Mer information om driftförhållanden finns i *10.4 Miljöparametrar, sida 280*

5.2 Styra badkarslyften

Badkarslyften kan styras i följande riktningar:



Fig. 5-1

Badkarslyften styrs via manöverdosan, antingen av användaren eller en assistent.



När batteriet är fullt laddat kan ORCA och ORCA F klara 5 badmanövrer med en last på 140 kg. ORCA XL kan klara 4 badmanövrer med en last på 170 kg.

- Ⓐ Nödstoppsknapp
- Ⓑ Upp-knapp
- Ⓒ Handkontroll
- Ⓓ Ned-knapp
- Ⓔ Indikatorlampa

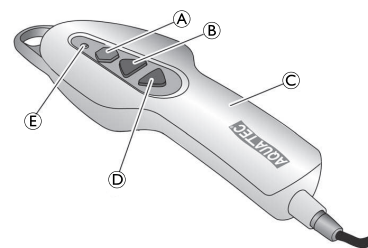


Fig. 5-2

**Risk för produktskador**

– Manöverdosan får endast användas när ryggstödet är ordentligt installerat och i upprätt läge.



Om batteriet i manöverdosan © inte är tillräckligt laddat tänds indikatorlampan ⑤ när Ned-knappen ④ trycks in. I så fall inaktiveras badkarslyftens sänkningsfunktion. Du kan dock fortfarande höja liften.

1. Ladda batteriet direkt efter att du har höjt badkarslyften.

Höja badkarslyften

Om ryggstödet är nedfällt reser det sig till upprätt läge först (gäller inte modellen ORCA F)

1. Tryck på Upp-knappen ⑥ på manöverdosan och håll den nedtryckt.
Ryggstödet reser sig till upprätt läge och sitsen höjer sig uppåt.
2. Släpp Upp-knappen på manöverdosan.
Badkarslyften stannar i det aktuella läget.

Sänka badkarslyften

Om sitsen redan är nedsänkt faller sig ryggstödet bakåt (gäller ej modellen ORCA F).

1. Tryck på Ned-knappen ④ på manöverdosan och håll den nedtryckt.
Sitsen sänker sig nedåt eller också vinklas ryggstödet bakåt.
2. Släpp Ned-knappen på manöverdosan.
Badkarslyften stannar i det aktuella läget.

Nödstoppsknapp**Risk för produktskador**

Tryck endast på nödstoppsknappen ① om enheten inte stannar omedelbart när du släpper upp Upp- eller Ned-knappen (t.ex. om en knapp fastnar). Badkarslyften stannar omedelbart och indikatorlampan på manöverdosan tänds.

Om den röda indikatorlampan slocknar efter att nödstoppsknappen har släppts upp har felet åtgärdats (t.ex. knappen släpps upp igen). Enheten är redo att användas igen.

Om den röda indikatorlampan fortsätter att lysa efter att nödstoppsknappen har släppts upp har felet inte åtgärdats än. Enheten får inte användas utan måste repareras, till exempel i händelse av elektronisk skada.



Kontakta leverantören vid behov.

5.3 Bada



VARNING!

Halkrisk

Badkarslyften kan glida om sugkopporna inte sitter fast ordentligt.

- Kontrollera att badkarslyften är säkert placerad och inte kan välta innan den används.
- Se till att badkarslyften monteras i badkaret med rätt mått, se *4.2 Montera badkarslyften, sida 263*



VARNING!

Risk för personskador

- Om du inte klarar av att bada på egen hand ska du endast använda lyften under någon annans uppsikt.
- Om du använder enheten utan uppsikt ska du se till att ha ett larmsystem eller en telefon inom räckhåll om något oförutsett skulle hända (t.ex. funktionsfel).
- Kontrollera temperaturen på badvattnet innan du använder lyften.



Risk för produktskador

Badolja eller -salt kan försämra funktionen hos lyftsaxarna.

- Om du använder sådana tillsatser i badet bör du inte överskrida den rekommenderade doseringen.



Kör den tomma lyften så långt upp det går en gång och sedan ned till botten (funktionstest).

1. Tryck och håll in Upp-knappen tills sitsen är i jämnhöjd med badkarskanten.
2. Se till att sidoflikarna är i jämnhöjd med sitsen och att de vilar plant mot badkarskanten (initial position).
3. Tappa upp vatten i badkaret.
4. Sätt dig på sidofliken närmast dig på samma sätt som du sätter dig på en stol.
5. Glid bakåt tills du sitter mitt på sitsen.
6. Vrid kroppen till badläge genom att lyfta först det ena och sedan det andra benet över badkarskanten.
7. När du sitter ordentligt, tryck och håll in Ned-knappen för att sänka ned sitsen i badkaret.



När sitsen har nått det nedersta läget kan du luta ryggstödet bakåt genom att fortsätta att hålla in Ned-knappen. Det här ger en bekvämare badställning och gör det möjligt att komma djupare ned i badvattnet (gäller ej modellen ORCA F).

8. Håll Ned-knappen intryckt tills ryggstödet har nått önskat läge.



När du ska stiga ur badkaret följer du dessa steg i omvänd ordning.

9. Res upp ryggstödet eller höj badkarslyften genom att trycka och hålla in Upp-knappen tills sitsen är i samma nivå som badkarskanten.

**Risk för produktskador**

- Koppla bort manöverdosan från enheten när badkarslyften inte används, se *6.2 Ta bort badkarslyften, sida 272* steg 3.

6 Transport

6.1 Säkerhetsinformation

- ! **Risk för produktskador**
 - Ryggstödet är inte fastlåst i sitsen när det är hopfällt och kan lossna.

1. Ta bort handkontrollen.
2. Ta isär badkarslyften i två delar för transport (underrede med sittplatta och ryggstöd), se 6.2 *Ta bort badkarslyften*, sida 272

- ! **Risk för produktskador**
 - Ta inte loss sugkopporna när badkarslyften transporteras.
 - Information om förvarings- och transportförhållanden finns i kapitel 10.4 *Miljöparametrar*, sida 280

6.2 Ta bort badkarslyften

1. Släpp ut vattnet ur badkaret.
2. Sänk badkarslyften med Ned-knappen tills ryggstödet stannar i sänkt ändläge, se 5.2 *Styra badkarslyften*, sida 268
3. Frigör uttaget på manöverdosans spiralsladd genom att föra upplåsningshylsan uppåt och dra av den från kontakten.

4.

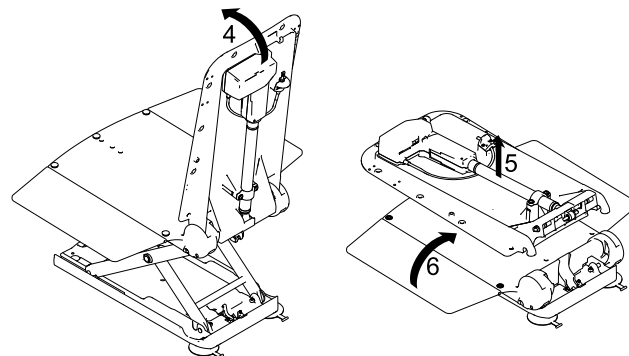


Fig. 6-1

Håll ryggstödet i huvudänden med en hand och fäll det långsamt framåt mot ändläget.

- ! **Risk för produktskador**
 - Fäll inte ned ryggstödet medan det är vatten i badkaret.
 - Se till att ryggstödet är helt nedsänkt läge innan du fäller ned det.
 - Se till att manöverdosans spiralsladd inte hamnar i kläm när ryggstödet fälls ned.

5. Dra upp ryggstödet från sitsen och badkaret.
6. Vik in sitsens sidoflikar.

7.

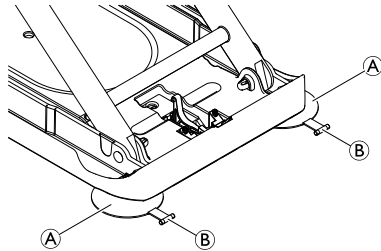


Fig. 6-2

Lossa de bakre sugkopparna **A** genom att dra den utskjutande fliken **B** uppåt.

i Lossa de båda bakre sugkopparna samtidigt.

8. Lyft den bakre delen av sitsen något. Då lossas de främre sugkopparna.

i Om höjddjusteraren har monterats (tillval) måste du också dra i flikarna på de främre sugkopparna för att de ska lossna.

9. Ta upp underredet med sittplattan ur badkaret.

i Se till att alla sugkoppar är lossade innan du tar upp sitsen ur badkaret.

10. Förvara alla delar till badkarslyften omsorgsfullt.

7 Underhåll

7.1 Service och inspektion

Om rengörings- och säkerhetsinstruktionerna följs behöver produkten inget underhåll.

! **Risk för produktskador**
Manöverdosan får endast öppnas av badkarslyftens tillverkare.

1. Kontrollera regelbundet att produkten inte är skadad och att den är monterad på ett säkert sätt.
2. Kontakta genast hjälpmedelscentralen i händelse av skada och/eller behov av reparation.
3. Badkarslyften måste kontrolleras av en hjälpmedelscentral innan den kan återanvändas. Vi rekommenderar att badkarslyften kontrolleras minst en gång per 24 månader (i enlighet med DIN EN ISO 10535).
4. Om badkarslyften inte har använts under en längre tid bör batteriet laddas helt och lyften höjas och sänkas 3 gånger utan last. Upprepa detta var 3:e månad. Det bidrar till att hålla batteriet i fungerande skick.

7.2 Rengöring och desinfektion

7.2.1 Allmän säkerhetsinformation



FÖRSIKTIGT!

Risk för kontaminering

- Vidta försiktighetsåtgärder för dig själv och använd lämplig skyddsutrustning.



FÖRSIKTIGT!

Risk för elektriska stötar och produktskador


- Stäng av enheten och koppla ifrån elnätet, om tillämpligt.
- Vid rengöring av elektroniska komponenter bör du beakta deras skyddsklass gällande vatteninträning.
- Se till att inget vatten stänker på kontakten eller vägguttaget.
- Hantera aldrig eluttag med blöta händer.



VIKTIGT!

Felaktiga vätskor och metoder kan skada produkten.

- Alla rengöringsmedel och desinfektionsmedel som används måste vara effektiva, kompatibla med varandra och måste skydda de material som de är avsedda att rengöra.
- Använd aldrig korroderande vätskor (alkaliska ämnen, syror etc.) eller slipande rengöringsmedel. Vi rekommenderar ett vanligt rengöringsmedel för hushållsbruk som t.ex. diskmedel, om inte annat anges i rengöringsanvisningarna.
- Använd aldrig ett lösningsmedel (cellulosathinner, aceton etc.) som ändrar strukturen i plasten eller löser upp fästa etiketter.
- Se alltid till att produkten är helt torr innan den tas i bruk igen.

 För rengöring och desinfektion i kliniska eller vårdmiljöer gäller riktlinjer för institutionell hygien.

7.2.2 Rengöringsintervall


! **VIKTIGT!**
 Regelbunden rengöring och desinfektion förbättrar smidig drift, förlänger livslängden och förhindrar kontaminering.
 Rengör och desinficera produkten

- regelbundet då den är i bruk,
- före och efter underhållsprocedurer,
- när den har kommit kontakt med kroppsvätskor,
- innan den används med en ny brukare.

7.2.3 Instruktioner för rengöring


Produkten kan rengöras med vanliga rengöringsmedel.

Rengöra sits och ryggstöd


 **FÖRSIKTIGT!**
Klämrisk
 – Var extra försiktig när du rengör området runt lyftsaxarna eftersom de kan röra sig och orsaka personskada.

! **Risk för produktskador**
 – Använd aldrig högtryckstvätt för att rengöra ryggstödet.

1. Rengör produkten med en trasa eller borste.
2. Skölj produkten med varmt vatten.

3. Torka produkten med en trasa.
4. Smörj spåret till glidskon (se bild 3.1, bildtext  i kapitel 3.3 *Komponenter, sida 261*) lätt med vaselin.


Rengöra överdragen (tillval)

 Vi rekommenderar att överdragen tvättas före den första användningen. Överdragen bör tvättas regelbundet och bytas ut en gång per år av hygieniska skäl.

1. Knäpp loss överdragen från sitsen och ryggstödet.
2. Tvätta överdragen i tvättmaskin i max 60 °C med mild tvättmedel.

! **Risk för produktskador**
 – Vid hög tvätttemperatur kan överdragen skadas eller krympa.
 – Torka inte överdragen i torktumlare.

Rengöra laddare och manöverdosa

 **VARNING!**
Risk för elektrisk stöt
 – Dra alltid ut kontakten ur eluttaget innan du rengör laddaren.
 – Infoga aldrig material som är ledande (t.ex. stickor, metallnålar) i manöverdosans uttag.
 – Använd aldrig en blöt eller fuktig trasa vid rengöring av laddaren.

1. Rengör laddaren med en torr trasa.
2. Rengör manöverdosan med en fuktig trasa.
3. Använd en torr trasa för att torka manöverdosan.

7.2.4 Instruktioner för rengöring och desinficering



Information om rekommenderade desinfektionsmedel och metoder finns på <https://vah-online.de/en/for-users>.

Vid vård i hemmet

Metod: Följ rekommendationerna för valt desinfektionsmedel och desinficera genom att torka av alla åtkomliga ytor.

Desinfektionsmedel: Vanligt desinfektionsmedel för hushållsbruk.

Torkning: Låt produkten lufttorka.

Vid vård på sjukhus och långtidsvård

Följ arbetsplatsens egna desinficeringsrutiner och använd endast de desinfektionsmedel och metoder som anges.

8 Återanvändning

8.1 Förvaring



Risk för produktskador

- Förvara inte produkten nära värmekällor.
- Förvara inte batteriet nära öppen eld.
- Utsätt inte produkten för direkt solljus.
- Se lagrings- och leveransvillkor i avsnittet *10.4 Miljöparametrar, sida 280*

8.2 Rekonditionering

Den här produkten kan återanvändas. Gör följande när produkten ska rekonditioneras för en ny användare:

- Inspektion
- Rengöring och desinfektion

Detaljerad information finns i *7 Underhåll, sida 274* och i servicemanualen för produkten.

Se till att bruksanvisningen överlämnas tillsammans med produkten.

Om skador eller fel upptäcks ska produkten inte återanvändas.

8.3 Kassering



VARNING!

Fara för miljön

Enheten innehåller batterier.

Produkten kan innehålla ämnen som kan vara skadliga för miljön om produkten kasseras på platser (deponier) som inte är lämpliga enligt lagstiftningen.

- Batterier får INTE slängas i hushållsavfallet.
- Batterier får INTE eldas upp.
- Batterier MÅSTE tas om hand på lämplig plats. Returen krävs enligt lag och är utan kostnad.
- Kassera endast urladdade batterier.
- Täck kontakterna på litiumbatterier före kassering.
- För information om batterityp, se batteriets etikett eller avsnitt *10 Teknisk Data, sida 279*

Tänk på miljön och återvinna produkten genom att lämna in den på en återvinningscentral när den inte längre kan användas.

Ta isär produkten och dess komponenter så att de olika materialerna kan separeras och återvinnas individuellt.

Kassering och återvinning av begagnade produkter och förpackningar måste följa de lagar och föreskrifter som gäller för avfallshantering i respektive land. Kontakta det företag som sköter den lokala avfallshanteringen för information.

9 Felsökning

9.1 Identifiera och åtgärda problem



Följande tabell ger information om funktionsfel och möjliga orsaker. Kontakta din hjälpmedelscentral direkt om du inte kan åtgärda felen med hjälp av lösningarna i tabellen.

Problem	Möjlig orsak	Åtgärd
Inget motorljud hörs/lyften rör sig inte.	Uttaget på manöverdosan är inte helt anslutet.	Anslut uttaget, → 4.2 <i>Montera badkarslyften, sida 263</i>
	Batteriet är urladdat.	Ladda batteriet helt, → 4.3 <i>Ladda batteriet, sida 267</i>
	Polerna är smutsiga.	Rengör kontakten på ryggstödet → kontakta hjälpmedelscentralen vid behov.
	Sladden är hopklämd/skadad.	Byt ut manöverdosan, → kontakta hjälpmedelscentralen vid behov.
Lyften kan höjas men inte sänkas.	Lågspänningsskyddet har aktiverats.	Ladda batteriet helt, → 4.3 <i>Ladda batteriet, sida 267</i>
Lyften stannar när den höjs.	Överbelastning.	Observera högsta belastning, → 10.1 <i>Mått och vikt, sida 279</i>
Badkarslyften fäster inte ordentligt i badkaret.	Sugkopporna är gamla eller skadade.	Byt ut sugkopporna, → kontakta hjälpmedelscentralen vid behov.
Batteriet laddas inte och den röda indikatorlampan blinkar under laddningen.	Fel på elektroniken.	Be hjälpmedelscentralen undersöka manöverdosan.
	Fel på batteriet.	Byt ut manöverdosan.
	Fel på laddaren.	Låt hjälpmedelscentralen undersöka laddaren.
	Batteriet är överhettat.	Ladda inte manöverdosan i närheten av värmekällor som element eller i direkt solljus. Laddningen fortsätter automatiskt när temperaturen sjunker till inom de tillåtna gränserna.

10 Teknisk Data

10.1 Mått och vikt

Total längd i det lägsta läget	920 mm
Total längd i det högsta läget	650 mm
Total höjd i det högsta läget	1075 mm
Sitsens längd	590 mm
Sitsens bredd med sidoklaffar utvikta	715 mm
Sitsens bredd med sidoklaffar invikta	390 mm
Sitsens höjd i det lägsta läget	60 mm
Sitsens höjd i det högsta läget	420 mm
Ryggstödetets bredd	360 mm
Ryggstödetets minsta vinkel	8°
Basplattans bredd	295 mm
Högsta belastning (ORCA / ORCA F) Högsta belastning (ORCA XL)	140 kg 170 kg
Total vikt utan handkontroll (ORCA) (ORCA F) (ORCA XL)	10,8 kg 11,4 kg 11,6 kg
Sitsens vikt (ORCA) (ORCA F) (ORCA XL)	6,6 kg 7,2 kg 7,4 kg
Ryggstödetets vikt (ORCA / ORCA F / ORCA XL)	4,2 kg

Handkontrollens vikt	0,4 kg
Laddarens vikt	0,1 kg

10.2 Elektroniska data

Aktiveringskraft för manöverdosans knappar	< 5 N
Manöverdosans driftspänning ¹⁾	11,1 V DC / 10,95 V DC / 10,8 V DC
Anslutningseffekt ¹⁾	44 VA/43 VA
Märkström	4 A
Batterityp	Litiumjon
Laddarens ingång	100–240 V AC, 50–60 Hz
Laddarens utgång	24 V DC, 135 mA, 3 VA
Laddningstid från lågspänningsvarning	ca. 4,5 tim.
Skyddsgrad, drivenhet	IP X6 W ²⁾
Skyddsgrad, manöverdosa	IP 67 ³⁾
Skyddsgrad för hela enheten	IP X6 ⁴⁾
Ljudstyrkenivå	52 dB (A)

Ställdonet slås inte av när produkten överbelastas.
Överbelasta inte badkarslyften, så undviker du skador.

1) 11,1 V DC/44 VA gäller vid användning av manöverdosor med en spänning på 11,1 V, vilket anges på baksidan av manöverdosan.

10,95 V DC/44 VA gäller vid användning av manöverdosor med en spänning på 10,95 V, vilket anges på baksidan av manöverdosan.

10,8 V DC/43 VA gäller vid användning av manöverdosor med en spänning på 10,8 V, vilket anges på baksidan av manöverdosan.

2) Skyddad mot intrång av vatten i händelse av starka vattenstrålar. Testad under föreskrivna väderförhållanden.

3) Dammtålig och skyddad mot intrång av vatten under tillfällig nedsänkning.

4) Skyddad mot intrång av vatten i händelse av starka vattenstrålar.

10.3 Material

Ryggstöd	PPGF
Sittplatta	PPGF
Överdrag	PVC



Alla material som används är rostbeständiga och latexfria.

10.4 Miljöparametrar

Driftförhållanden	
Omgivande temperatur	10–40 °C

Relativ luftfuktighet	15 %–93 % icke-kondenserande
Atmosfäriskt tryck	795–1 060 hPa
Förvarings- och transportförhållanden	
Omgivande temperatur	0–40 °C
Relativ luftfuktighet	30 %–75 % icke-kondenserande
Atmosfäriskt tryck	795–1 060 hPa

Obsah

Tento návod k použití MUSÍ být poskytnut každému uživateli tohoto výrobku. PED použitím výrobku si nvod prostudujte a pot ho uschovejte pro budouc pouit.

1 Všeobecně	282
1.1 Úvod	282
1.2 Symboly použité v tomto návodu	282
1.3 Záruka	282
1.4 Soulad s předpisy	283
1.4.1 Příslušné produktové normy	283
1.5 Životnost	283
1.6 Omezení ručení	283
2 Bezpečnost	284
2.1 Bezpečnostní informace	284
2.2 Bezpečnostní informace o elektromagnetické kompatibilitě	285
2.3 Štítky a symboly na výrobku	285
3 Přehled produktu	287
3.1 Popis výrobku	287
3.2 Účel použití	287
3.3 Součásti	287
4 Nastavení	289
4.1 Bezpečnostní informace	289
4.2 Umístění vanového zvedáku do vany	289
4.3 Nabíjení baterie	293
5 Použití	294
5.1 Bezpečnostní informace	294
5.2 Ovládání vanového zvedáku	294
5.3 Koupání	295
6 Přesun	297
6.1 Bezpečnostní informace	297

6.2 Demontáž vanového zvedáku	297
7 Údržba	299
7.1 Servis a kontrola	299
7.2 Čištění a dezinfekce	299
7.2.1 Obecné bezpečnostní informace	299
7.2.2 Intervaly čištění	300
7.2.3 Pokyny k čištění	300
7.2.4 Pokyny k dezinfekci	301
8 Po použití	302
8.1 Skladování	302
8.2 Repase	302
8.3 Likvidace	302
9 Odstraňování potíží	303
9.1 Identifikace a oprava závad	303
10 Technické Údaje	305
10.1 Rozměry a hmotnost	305
10.2 Elektronické údaje	305
10.3 Materiály	306
10.4 Parametry prostředí	306

1 Všeobecně

1.1 Úvod

V této uživatelské příručce naleznete důležité informace o správném použití tohoto výrobku. Pečlivě si tuto uživatelskou příručku přečtěte a dodržujte veškeré bezpečnostní pokyny, aby byla při používání tohoto výrobku zajištěna bezpečnost.

Pamatujte, že některé části tohoto dokumentu se nemusí na vztahovat na váš výrobek, neboť tato příručka platí pro všechny dostupné modely vyráběné v době jejího tisku. Není-li uvedeno jinak, jednotlivé části tohoto dokumentu se týkají všech modelů výrobku.

Modely a konfigurace dostupné ve vaší zemi najdete v lokální prodejní dokumentaci.

Společnost Invacare si vyhrazuje právo změnit specifikace produktu bez dalšího upozornění.

Než začnete tento dokument číst, zkontrolujte, že se jedná o její nejnovější verzi. Nejnovější verzi naleznete ve formátu PDF na webových stránkách společnosti Invacare.

Pokud je pro vás velikost písma v tištěné verzi dokumentu hůře čitelná, můžete si ji z webu stáhnout ve formátu PDF. Stažený soubor si můžete na obrazovce přiblížit tak, aby byl pro vás lépe čitelný.

Další informace o výrobku, např. bezpečnostní údaje o výrobku, informace o stažení výrobků apod., vám poskytne prodejce nebo zástupce společnosti Invacare. Adresy jsou uvedeny na konci tohoto dokumentu.

V případě vážného incidentu souvisejícího s produktem informujte výrobce a příslušný orgán ve vaší zemi.

1.2 Symboly použité v tomto návodu

V tomto návodu jsou použita signální slova vztahující se k nebezpečným situacím nebo postupům, které by mohly zapříčinit úraz osob nebo škodu na majetku. Definice těchto signálních slov jsou uvedeny níže.



VAROVÁNÍ

Označuje nebezpečnou situaci, v jejímž důsledku by mohlo dojít k vážnému poranění nebo usmrcení.



VÝSTRAHA

Označuje nebezpečnou situaci, v jejímž důsledku by mohlo dojít k drobnému či méně závažnému poranění.



DŮLEŽITÉ

Označuje nebezpečnou situaci, v jejímž důsledku by mohlo dojít k poškození majetku.



Tipy a doporučení

Poskytují užitečné tipy a doporučení zaručující účelné a bezproblémové používání výrobku.

1.3 Záruka

Poskytujeme záruku výrobce na výrobek v souladu s našimi všeobecnými obchodními podmínkami platnými v jednotlivých zemích. Záruční reklamace lze uplatňovat pouze prostřednictvím dodavatele, od něhož bylo zařízení zakoupeno.

Potahy a přísavky jsou ze záruky vyloučeny.

1.4 Soulad s předpisy

Kvalita je nezbytným předpokladem správného fungování společnosti, která se řídí normou ISO 13485.

Tento výrobek nese označení CE v souladu s nařízením 2017/745 o zdravotnických prostředcích třídy 1. Datum uvedení tohoto výrobku na trh je uvedeno v prohlášení o shodě CE.

Neustále se snažíme snižovat svůj dopad na životní prostředí – lokálně i globálně.

Používáme pouze materiály a součásti, které odpovídají požadavkům směrnice REACH.

Dodržujeme požadavky platných předpisů OEEZ a RoHS o ochraně životního prostředí.

1.4.1 Příslušné produktové normy

Tento výrobek splňuje požadavky normy DIN EN ISO 10535 (Zvedáky pro přepravu osob se zdravotním postižením).

Další informace získáte od zástupce společnosti Invacare ve své zemi (adresy jsou uvedeny na konci tohoto dokumentu).

1.5 Životnost

Je-li výrobek denně používán v souladu s bezpečnostními nařízenými a k zamýšlenému účelu, jenž je uveden v tomto návodu, a jsou-li dodržovány intervaly jeho údržby, je očekávaná životnost výrobku 5 let. Reálná životnost se však může lišit v závislosti na četnosti a intenzitě používání.

1.6 Omezení ručení

Společnost Invacare nenese žádnou zodpovědnost za poškození vzniklé v důsledku následujících situací:

- nedodržení pokynů v uživatelské příručce,
- nesprávné použití,
- přirozené opotřebení,
- nesprávná montáž nebo sestavení provedené kupujícím nebo třetí stranou,
- technické úpravy,
- neoprávněné úpravy nebo použití nevhodných náhradních dílů.

2 Bezpečnost

2.1 Bezpečnostní informace



VAROVÁNÍ!

Nebezpečí závažného úrazu nebo poškození

Nesprávné použití tohoto výrobku může vést k úrazu nebo poškození.

- Nejsou-li pro vás varování, upozornění nebo pokyny srozumitelné, obraťte se před použitím produktu na zdravotníka, dodavatele nebo odborného technika.
- Tento výrobek ani žádné dostupné volitelné vybavení používejte teprve tehdy, až se důkladně obeznámíte s tímto návodem a s veškerými dodatečnými instruktážními podklady, a to uživatelskou příručkou, servisní příručkou nebo pokyny dodávanými spolu s tímto výrobkem nebo s volitelným vybavením.



VAROVÁNÍ!

Nebezpečí úrazu

- Výrobek nepoužívejte, je-li poškozen.
- V případě závady se okamžitě obraťte na příslušného dodavatele.
- Neprovádějte neschválené změny ani úpravy výrobku.
- Na vanový zvedák si nikdy nestoupejte ve snaze vlézt do vany nebo z ní vylézt, ani ho nepoužívejte místo žebříku či stupátka, jako zvedací plošinu a podobně.



VAROVÁNÍ!

- Před prvním použitím výrobek pečlivě vyčistěte.
- Před každým použitím výrobek zkontrolujte, abyste odhalili případné poškození, a ujistěte se, že je bezpečně sestaven.



UPOZORNĚNÍ!

Nebezpečí úrazu

- Neoriginální nebo nesprávné díly mohou ovlivnit fungování a bezpečnost tohoto výrobku.
- Používejte pouze originální díly určené pro váš výrobek.
 - Vzhledem k regionálním odlišnostem vyhledejte dostupné volitelné díly na místních webových stránkách nebo v místním katalogu společnosti Invacare, případně se obraťte na svého dodavatele výrobků Invacare. Adresy jsou uvedeny na konci tohoto dokumentu.

2.2 Bezpečnostní informace o elektromagnetické kompatibilitě



VAROVÁNÍ!

Nebezpečí závady v důsledku elektromagnetického rušení

Mezi tímto výrobkem a jiným elektrickým zařízením může dojít k elektromagnetickému rušení, které ovlivní funkce elektrického nastavení tohoto výrobku. V rámci preventivních opatření omezte nebo eliminujte takové elektromagnetické rušení:

- Používejte pouze originální kabely, příslušenství a náhradní díly, aby nedocházelo ke zvýšení elektromagnetických emisí nebo snížení elektromagnetické odolnosti tohoto výrobku.
- Nepoužívejte přenosné radiofrekvenční (RF) komunikační zařízení ve vzdálenosti do 30 cm od jakékoli součásti tohoto výrobku (včetně kabelů).
- Nepoužívejte tento výrobek v blízkosti vysokofrekvenčních chirurgických přístrojů a místností s RF ochranou, v nichž se nachází systém pro magnetickou rezonanci a kde je intenzita elektromagnetického rušení vysoká.
- Pokud k rušení dojde, zvětšete vzdálenost mezi tímto výrobkem a druhým zařízením nebo zařízení vypnete.



VAROVÁNÍ!

Nebezpečí závady

Elektromagnetické rušení může vést k nesprávnému fungování výrobku.

- Nepoužívejte tento výrobek v blízkosti jiných elektrických zařízení. Pokud je takové použití nutné, musí být tento výrobek i druhé zařízení pod přísným dohledem za účelem získání jistoty, že obě zařízení fungují normálně.

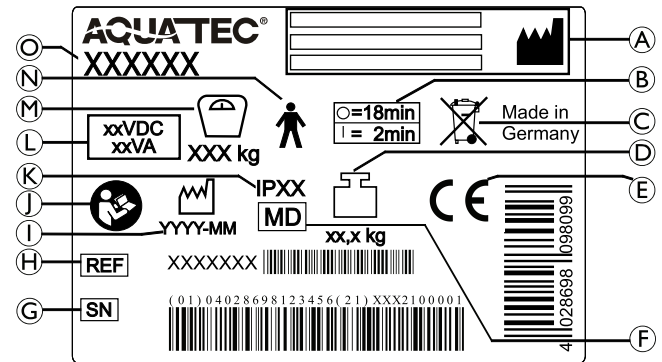


Nejsme si vědomi žádného rizika spojeného s použitím výrobků jako kardiostimulátor.

2.3 Štítky a symboly na výrobku

Identifikační štítek

Identifikační štítek obsahuje důležité informace:



Ⓐ	Výrobce a adresa výrobce
Ⓑ	Interval použití (kontinuální provoz motoru není povolen): max. 2 minuty kontinuálního provozu následovně 18minutovou pauzou
Ⓒ	Poznámka (likvidace)
Ⓓ	Hmotnost výrobku
Ⓔ	Shoda s evropskými normami
Ⓕ	Zdravotnický prostředek
Ⓖ	Sériové číslo
Ⓗ	Referenční číslo
Ⓘ	Datum výroby
Ⓝ	Přečtěte si uživatelskou příručku
Ⓚ	Typ ochrany
Ⓛ	Jmenovité napětí / jmenovitý příkon, viz <i>10 Technické Údaje, strana 305</i>
Ⓜ	Maximální hmotnost uživatele
Ⓝ	Aplikovaná část typu B
Ⓞ	Určení výrobku



Identifikační štítek se nachází na zadní straně opěradla.

3 Přehled produktu

3.1 Popis výrobku

Aquatec ORCA, ORCA F a ORCA XL jsou vanové zvedáky napájené bateriemi, které slouží jako pomůcka při vstupu do vany nebo výstupu z ní. Skládají se z desky sedadla (s integrovanými bočními klapkami) s protiskluzovým povrchem.

Vanové zvedáky ORCA a ORCA XL mají pevné opěradlo, které lze snížit prostřednictvím dálkového ovládání. Vanový zvedák ORCA F má pevné opěradlo. U všech modelů je k dispozici volitelný potah sedadla a opěradla.

Všechny modely zahrnují dálkové ovládání, které ovládá pohyb sedadla nahoru nebo dolů.

Opěradlo může být vybaveno bočními díly, které poskytují větší oporu a bezpečnost.

3.2 Účel použití

Vanové zvedáky Aquatec ORCA, ORCA F a ORCA XL slouží jako pomůcky pro bezpečný a snadný vstup do vany a výstup z ní.

Zamýšlení uživatelé

Uživatelé jsou všechny osoby s omezenou nebo sníženou pohyblivostí (např. nohou a/nebo kyčle). Při použití bez asistenta musí být uživatel schopen udržet rovnováhu.

Indikace

- Omezená nebo snížená pohyblivost (např. nohou a/nebo kyčle) nebo

- problém s rovnováhou, který uživateli znemožňuje chodit nebo postavit se v důsledku přechodných či trvalých zdravotních postižení.

Kontraindikace

Při správném používání výrobku nejsou známy žádné kontraindikace.

Maximální hmotnost uživatele je:

- 140 kg (ORCA / ORCA F)
- 170 kg (ORCA XL)

3.3 Součásti

Součástí dodávky jsou následující součásti:

Ruční ovladač a nabíječka

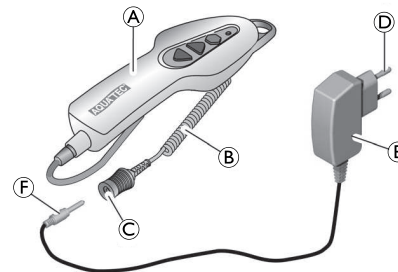


Fig. 3-1

- | | |
|---------------------------|-------------------|
| Ⓐ Ruční ovladač s baterií | Ⓓ Síťová zástrčka |
| Ⓑ Spirálový kabel | Ⓔ Nabíječka |
| Ⓒ Zdířka pro konektor | Ⓕ Konektor |

Sedadlo

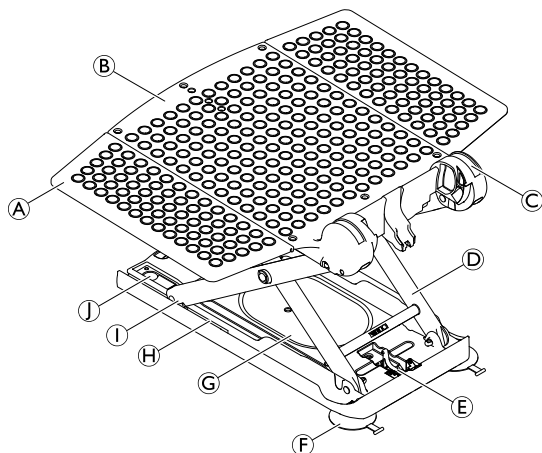


Fig. 3-2

Opěradlo

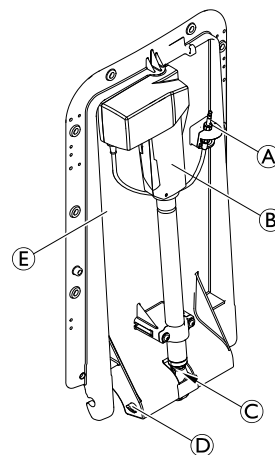


Fig. 3-3

- | | |
|-----------------------|---|
| Ⓐ Boční klapka | Ⓕ Zadní přísavky (se závitem) |
| Ⓑ Deska sedadla | Ⓖ Deska základny |
| Ⓒ Šroub k opěradlu | Ⓗ Objímka pro kluznici |
| Ⓓ Zvedací nůžky | Ⓙ Kluznice |
| Ⓔ Držák patky vřetena | ⓫ Přední přísavky (jeden jazýček a hlavice) |

- | | |
|-----------------|--------------------|
| Ⓐ Konektor | Ⓓ Kolíková zarážka |
| Ⓑ Pohon | Ⓔ Deska, opěradlo |
| Ⓒ Patka vřetena | |

4 Nastavení

4.1 Bezpečnostní informace

! Nebezpečí poškození

- Před použitím zkontrolujte všechny díly, zda nedošlo při přepravě k jejich poškození. V případě potřeby se obraťte na dodavatele.
- Během montáže kontrolujte, zda jsou díly ve správné poloze vzhledem k ostatním dílům.
- Před prvním použitím doporučujeme vyprat potahy, viz kapitola 7.2 Čištění a dezinfekce, strana 299

4.2 Umístění vanového zvedáku do vany



VAROVÁNÍ! Nebezpečí prokluzování

- Nejsou-li přísavky řádně uchyceny, vanový zvedák může prokluzovat.
- Před ukotvením vanového zvedáku vyčistěte vanu i přísavky pomocí vlhkého hadříku.
 - Jakmile je vanový zvedák ukotven, neměňte jeho pozici ve vaně.



VAROVÁNÍ!

Nebezpečí úrazu a poškození!

- Vanový zvedák ukotvujte pouze do van, které splňují technické specifikace uvedené v následující tabulce.
- Pokud vana na bocích přetéká, použijte speciální boční klapky (k dispozici jako příslušenství).

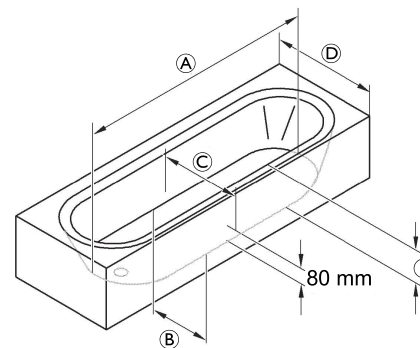


Fig. 4-1

Ⓐ	Délka vany, dno	≥ 800 mm
Ⓑ	Šířka vany, dno (vnitřní rozměr)	≥ 280 mm
Ⓒ	Šířka vany ve výšce 80 mm (vnitřní rozměr)	≥ 430 mm

D	Šířka vany (vnější rozměr)	580–690 mm (se speciálními bočními klapkami) 700–740 mm (se standardními bočními klapkami) 750–1000 mm (se speciálními bočními klapkami)
E	Výška vany (vnitřní rozměr)	≤ 420 mm (s adaptérem výšky, max. + 60 mm)

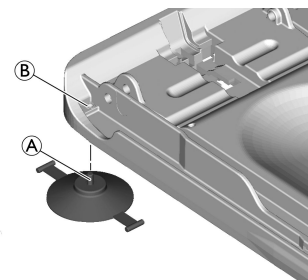


Fig. 4-2

Vložte zadní přísavku se závitovým šroubem A na objímkovou matici B a zašroubujte ji. Zašroubujte ji tak, aby přísavka odpovídala orientaci na obrázku.

2.

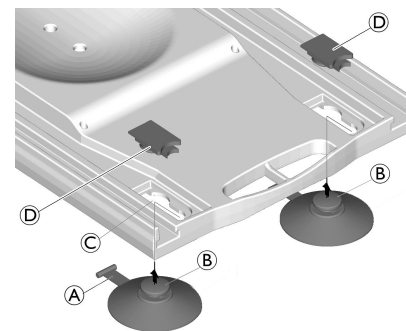


Fig. 4-3

Vložte přepínač A otvorem zámku C a umístěte jej do příslušného vybrání. Poté přísavku B za hlavici protáhněte skrz otvor C a posuňte ji dopředu. Zajistěte přísavku pomocí červeného víka D.

! Nebezpečí poškození

- Zkontrolujte, zda jsou přísavky namontovány správně.
- Ujistěte se, že baterie v ručním ovladači je nabitá.
- Při zvedání součástí vanového zvedáku nezapomeňte správně zhodnotit hmotnosti, viz kapitola 10.1 *Rozměry a hmotnost, strana 305*
- Pokud je madlo namontované uvnitř vany, použijte sklápěč boční klapky (k dispozici jako příslušenství).
- Před skládáním opěrady vyklopte boční klapky sedadla směrem ven.

1.

3.

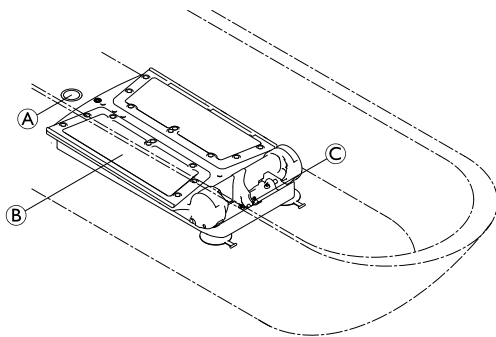


Fig. 4-4

Umístěte sedadlo **B** na dno prázdné vany. Ujistěte se, že držák patky vřetena **C** míří k zadnímu konci vany, tedy ve směru od odtoku vody **A**.

4.

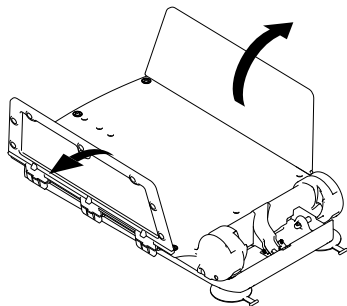


Fig. 4-5

Vyklopte boční klapky sedadla směrem ven.

5.

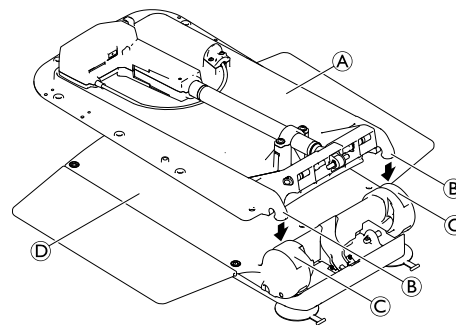


Fig. 4-6

Nasadte opěradlo **A** (bez ručního ovladače) na sedadlo tak, aby háky **B** na opěradle zapadly do závěsů **C** na desce sedadla **D**.

6.



Nebezpečí poškození

Poškození výrobku způsobené vyklouznutím patky vřetena.

- Před složením opěradla ověřte, zda je vřeteno zcela zasunuté a zda je jeho patka rovná a nepřekroucená.
- Jakmile opěradlo složíte, zkontrolujte, že se patka vřetena nachází v držáku patky vřetena.

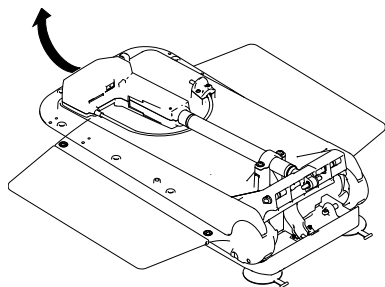


Fig. 4-7

Držte opěradlo za střed horní části a opatrně ho složte až do konečné polohy.

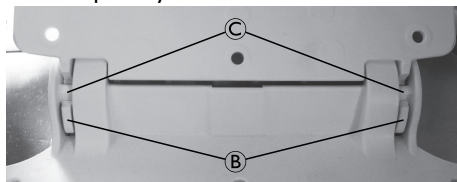


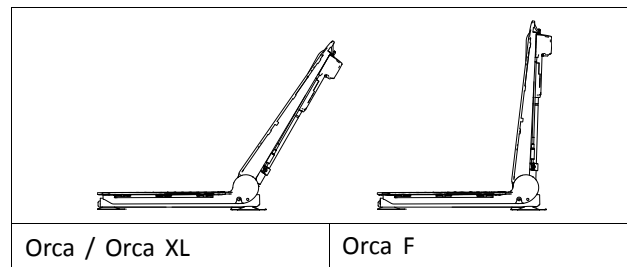
Fig. 4-8



Nebezpečí poškození

Poškození výrobku kvůli nesprávnému složení opěradla.

- Ověřte, zda jsou oba háky B na opěradle zajištěné v závěsech C desky sedadla.
- Ujistěte se, že se opěradlo skládá do horní koncové polohy bez nutnosti použít sílu a bez významného odporu. Koncová poloha je znázorněna na následujícím obrázku.



7.

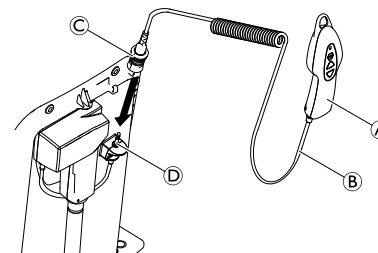


Fig. 4-9

Chcete-li k vanovému zvedáku připojit ruční ovladač A, připojte zdířku pro konektor s odjišťovacím pouzdrmem C ke konektoru D; zajišťovací mechanismus se musí aktivovat.



Nebezpečí poškození

- Ujistěte se, že se opěradlo nedotýká okraje vany.
- V případě potřeby přesuňte vanový zvedák blíže k přední části vany. Pokud chcete vanový zvedák přesunout vpřed ve vaně, spusťte vanový zvedák na dno, uvolněte přísavky a přesuňte vanový zvedák.

4.3 Nabíjení baterie

Vanový zvedák nelze použít, když se baterie nabíjí.



VAROVÁNÍ!

Nebezpečí zasažení elektrickým proudem

– Baterii nabíjejte pouze v suchých místnostech při pokojové teplotě (15 až 25 °C). Nikdy ji nenabíjejte v koupelně.



Nebezpečí poškození

– K nabíjení baterie v ručním ovladači používejte pouze dodávanou nabíječku.
– Nabíječku připojte k elektrické síti, pouze když je ruční ovladač připojen k nabíječce.
– Zkontrolujte, zda napětí uvedené na nabíječce souhlasí s napětím v síti.

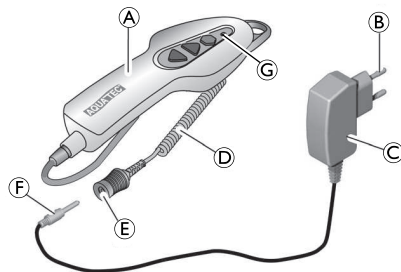


Fig. 4-10

1. Vložte konektor ⑥ nabíječky ③ do zdířky pro konektor ⑤ spirálového kabelu ④ ručního ovladače ①, musí se zajistit na svém místě.
2. Zastrčte zástrčku síťového kabelu ② nabíječky do elektrické zásuvky.



Červená kontrolka ⑦ na ručním ovladači zhasne, když bude baterie zcela nabitá. Baterii není možné nadměrně nabít.

3. Vypojte nabíječku z elektrické zásuvky.
4. Vytáhněte konektor nabíječky ze zdířky pro konektor v ručním ovladači.

5 Použití

5.1 Bezpečnostní informace



UPOZORNĚNÍ!

Nebezpečí úrazu nebo poškození

Do poškozeného ručního ovladače může proniknout vlhkost, která může způsobit vznik zkratu nebo požáru.

- Před každým použitím výrobek vizuálně zkontrolujte z hlediska vnějšího poškození.
- Pokud je plášť ručního ovladače poškozený nebo obsahuje trhliny, nepoužívejte ruční ovladač.



UPOZORNĚNÍ!

Nebezpečí přiskřípnutí

- Nesahejte do objímky mezi deskou sedáku a deskou opěradla.
- Nesahejte pod desku sedadla ani mezi zdvihací nůžky.



Nebezpečí poškození

V případě přetížení zvedáku může dojít k poškození zařízení nebo zvedací funkce.

- Vanový zvedák nepřetěžujte a dodržujte údaje na identifikačním štítku nebo si přečtěte kapitolu 10 *Technické Údaje, strana 305* kde najdete informace týkající se nosnosti.



Pravidelně dobíjejte baterii, viz část 3,4 *Nabíjení baterie v kapitole 4 Nastavení, strana 289*



Více informací o provozních podmínkách naleznete v kapitole 10.4 *Parametry prostředí, strana 306*

5.2 Ovládání vanového zvedáku

Vanovým zvedákem lze posouvat v následujících směrech:



Fig. 5-1

Vanový zvedák může pomocí ručního ovladače řídit uživatel nebo asistent.



S plně nabitou baterií může model ORCA a ORCA F provést 5 koupání se zátěží 140 kg. Model ORCA XL je schopen provést 4 koupání se zátěží 170 kg.

- Ⓐ Tlačítko pro nouzové zastavení
- Ⓑ Tlačítko „vzhůru“
- Ⓒ Ruční ovladač
- Ⓓ Tlačítko „dolů“
- Ⓔ Kontrolka

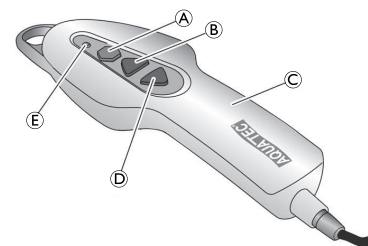


Fig. 5-2

**Nebezpečí poškození**

– Ruční ovladač lze používat pouze po řádné instalaci opěradla do vzpřímené polohy.



Pokud není baterie v ručním ovladači © dostatečně nabitá, kontrolka ⑤ se po stisknutí tlačítka dolů ② rozsvítí červeně. V takovém případě je deaktivována funkce posunu vanového zvedáku dolů. Zvedák je však možné zvednout.

- Po zvednutí vanového zvedáku okamžitě dobijte baterii.

Zvýšení vanového zvedáku

Je-li opěradlo sklopené, nejprve ho posuňte do vzpřímené pozice (ne u modelu ORCA F).

- Stiskněte tlačítko „vzhůru“ ③ na ručním ovladači a držte ho stisknuté.
Opěradlo se posune do vzpřímené pozice nebo se sedadlo posune vzhůru.
- Uvolněte tlačítko „vzhůru“ na ručním ovladači.
Vanový zvedák se zastaví v aktuální pozici.

Snížení vanového zvedáku

Pokud už je sedadlo sklopené, opěradlo se také sklopí dozadu (ne u modelu ORCA F).

- Stiskněte tlačítko „dolů“ ④ na ručním ovladači a držte ho stisknuté.
Sedadlo se posune dolů nebo se opěradlo sklopí dozadu.
- Uvolněte tlačítko „dolů“ na ručním ovladači.
Vanový zvedák se zastaví v aktuální pozici.

Tlačítko pro nouzové zastavení**Nebezpečí poškození**

Tlačítko pro nouzové zastavení ① stiskněte pouze tehdy, když se zařízení okamžitě nezastaví po uvolnění tlačítka „vzhůru“ nebo „dolů“ (např. když se tlačítko zasekne). Pohyb vanového zvedáku se okamžitě zastaví a na ručním ovladači se rozsvítí kontrolka.

Pokud po uvolnění tlačítka nouzového zastavení červená kontrolka zhasne, chyba byla odstraněna (tj. tlačítko je opět uvolněné). Zařízení je připraveno k opětovnému použití.

Pokud po uvolnění tlačítka nouzového zastavení červená kontrolka nadále svítí, chyba dosud odstraněna nebyla. Zařízení není připraveno k použití a je nutné jej opravit, např. v případě poškození elektroniky.



V případě potřeby se obraťte na dodavatele.

5.3 Koupání**VAROVÁNÍ!****Nebezpečí prokluzování**

Nejsou-li přísavky řádně uchyceny, vanový zvedák může prokluzovat.

- Před použitím vanového zvedáku zkontrolujte, že je bezpečně zajištěn a nemůže se převrhnout.
- Zkontrolujte, že je vanový zvedák ukotven ve vaně se správnými rozměry, viz kapitola 4.2
Umístění vanového zvedáku do vany, strana 289

**VAROVÁNÍ!****Nebezpečí úrazu**

- Pokud váš stav nedovoluje, abyste se vykoupani sami, používejte zařízení výhradně pod dohledem.
- Pokud zařízení používáte bez dohledu, je třeba pro případ nepředvídatelných událostí (např. závad) mít nablízku poplašný systém nebo telefon.
- Před použitím zkontrolujte teplotu vody.

**Nebezpečí poškození**

Koupeľové oleje nebo soli mohou narušit výkon zvedacích nůžek.

- Pokud takové koupeľové prostředky používáte, nepřekračujte doporučené dávkování.



Nejprve zvedák zvedněte a opět spusťte dolů bez zatížení (test funkčnosti).

1. Stiskněte a držte tlačítko „vzhůru“, dokud nebude sedadlo ve stejné úrovni jako vana.
2. Dejte pozor, zda jsou boční klapky ve stejné úrovni jako sedadlo a rovně spočívají na okrajích vany (původní pozice).
3. Naplňte vanu vodou.
4. Posadte se do boční klapky, která je k vám blíže, jako byste seděli na židli.
5. Posouvejte se dozadu, až se dostanete doprostřed sedadla.
6. Zvedněte jednu a pak druhou nohu přes okraj vany a usaďte se v koupací pozici.

7. Jakmile sedíte stabilně, stiskněte tlačítko „dolů“ a držte ho stisknuté, dokud se sedadlo nesníží až do vany.



Jakmile sedadlo dosáhne nejnižší polohy, lze opěradlo zaklonit podržením tlačítka „dolů“. Dosáhnete tím pozice, která je příjemnější pro koupání a umožní vám ponořit se hlouběji do vody (ne u modelu ORCA F).

8. Držte tlačítko „dolů“ stisknuté, dokud opěradlo nedosáhne požadované pozice.



Pro vyzvednutí z vany použijte opačný postup.

9. Pokud chcete zvednout opěradlo nebo vanový zvedák, stiskněte a podržte tlačítko „vzhůru“, dokud nebude sedadlo v úrovni okraje vany.

**Nebezpečí poškození**

- Pokud vanový zvedák nepoužíváte, odpojte ruční ovladač od zařízení. Potřebné informace naleznete v části 6.2 *Demontáž vanového zvedáku, strana 297, krok 3.*

6 Přesun

6.1 Bezpečnostní informace

- !** **Nebezpečí poškození**
- Když je opěradlo složeno na sedadle, není k němu pevně připojeno a může snadno upadnout.

1. Odpojte ruční ovladač.
2. Za účelem přepravy rozmontujte vanový zvedák na dvě části (základní rám s deskou sedadla a opěradlem), viz kapitola 6.2 *Demontáž vanového zvedáku, strana 297*.

- !** **Nebezpečí poškození**
- Při přepravě vanového zvedáku neodstraňujte přísavky.
 - Podmínky pro uskladnění a přepravu naleznete v kapitole 10.4 *Parametry prostředí, strana 306*

6.2 Demontáž vanového zvedáku

1. Vypusťte vodu z vany.
2. Pomocí tlačítka „dolů“ snižte vanový zvedák do polohy, ve které opěradlo zůstane sklopené ve spodní koncové poloze, viz kapitola 5.2 *Ovládání vanového zvedáku, strana 294*
3. Odjístěte zdířku pro konektor na spirálovém kabelu ručního ovladače zatlačením odjišťovacího pouzdra nahoru a vytažením konektoru.

4.

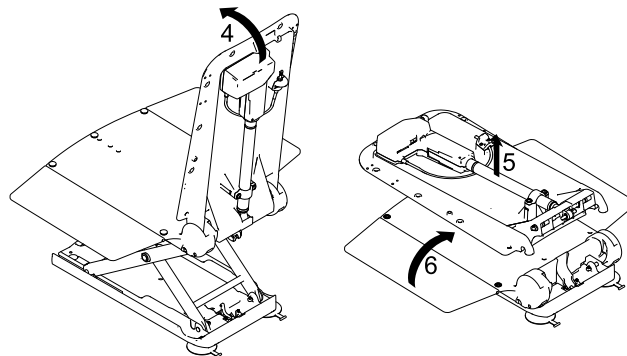


Fig. 6-1

Držte opěradlo za hlavovou část jednou rukou a složte jej pomalu vpřed do konečné polohy.

- !** **Nebezpečí poškození**
- Je-li ve vaně voda, neskládejte opěradlo.
 - Před složením opěradla se ujistěte, že je opěradlo zcela ve snížené pozici.
 - Při skládání opěradla zkontrolujte, že nedošlo k zachycení spirálového kabelu ručního ovladače.

5. Tahem vzhůru oddělte opěradlo od sedadla a vyndejte ho z vany.
6. Sklopte boční klapky sedadla směrem dovnitř.

7.

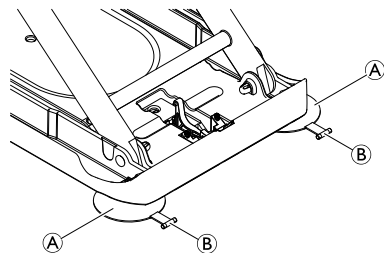


Fig. 6-2

Uvolněte zadní přísavky **A** zatažením za vyčnívající jazýčky **B**.

i Obě přísavky uvolněte najednou.

8. Mírně zvedněte zadní část sedadla. Tím se uvolní přední přísavky.

i Pokud byl nainstalován adaptér výšky (volitelný), musíte zatáhnout za jazýčky předních přísavek, abyste je mohli uvolnit.

9. Vyjměte základní rám s deskou sedadla z vany.

i Před vyjmutím sedadla z vany se ujistěte, že jsou všechny přísavky odpojeny.

10. Opatrně odložte jednotlivé části vanového zvedáku stranou.

7 Údržba

7.1 Servis a kontrola

Pokud jsou dodržovány uvedené pokyny pro čištění a bezpečnost, není potřeba provádět žádnou údržbu tohoto výrobku.

! **Nebezpečí poškození**
Ruční ovladač smí otevřít pouze výrobce vanového zvedáku.

1. Pravidelně výrobek kontrolujte, abyste odhalili případné poškození a ujistili se, že je bezpečně sestaven.
2. V případě, že je výrobek poškozen a/nebo je nutné jej opravit, okamžitě kontaktujte dodavatele.
3. Vanový zvedák musí před každým opakovaným použitím zkontrolovat autorizovaný dodavatel. Doporučuje se provést kontrolu vanového zvedáku nejpozději po 24 měsících (v souladu s normou DIN EN ISO 10535).
4. Pokud se vanový zvedák delší dobu nepoužíval, nejprve plně nabijte baterii a pak nezatížený vanový zvedák 3krát posuňte vzhůru a dolů. Tento proces opakujte každé 3 měsíce, abyste zachovali dobu životnosti baterie.

7.2 Čištění a dezinfekce

7.2.1 Obecné bezpečnostní informace



UPOZORNĚNÍ!
Nebezpečí kontaminace

- Proveďte bezpečnostní opatření a používejte vhodné ochranné pomůcky.



UPOZORNĚNÍ!

Nebezpečí úrazu elektrickým proudem a poškození výrobku


- V případě potřeby vypněte zařízení a odpojte jej ze sítě.
- Při čištění elektronických součástí berte v potaz jejich třídu ochrany týkající se vniknutí vody.
- Zajistěte, aby voda nestříkala na zástrčku nebo elektrickou zásuvku.
- Nedotýkejte se elektrické zásuvky mokřkýma rukama.



DŮLEŽITÉ!

Nevhodné kapaliny nebo postupy mohou výrobek poškodit.

- Všechny používané čisticí a dezinfekční prostředky spolu musí být kompatibilní a musí chránit materiály, které čistí.
- Nikdy nepoužívejte žraviny (kyseliny, zásady atd.) ani abrazivní čisticí prostředky. Doporučujeme běžné domácí čisticí prostředky, jako je tekutý prostředek na mytí nádobí, není-li v pokynech k čištění uvedeno jinak.
- Nikdy nepoužívejte rozpouštědla (celulósově ředidlo, aceton atd.), která mění strukturu plastů nebo rozpouští připevněné štítky.
- Před opětovným použitím výrobku vždy pečlivě zkontrolujte, zda je zcela suchý.

-  Při čištění a dezinfekci v klinickém prostředí nebo v prostředí dlouhodobé péče postupujte podle svých interních postupů.

7.2.2 Intervaly čištění

DŮLEŽITÉ!

Pravidelné čištění a dezinfekce přispívá k hladkému provozu, zvyšuje životnost a zabraňuje kontaminaci.

Výrobek čistěte a dezinfikujte:

- pravidelně při užívání,
- před a po jakékoliv servisní proceduře,
- pokud se dostal do kontaktu s jakoukoliv tělní tekutinou,
- před užíváním novým uživatelem.

7.2.3 Pokyny k čištění

Výrobek lze čistit komerčně dostupnými čisticími prostředky.

Čištění sedadla a opěradla



UPOZORNĚNÍ!

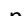
Nebezpečí přiskřípnutí

- Dávejte velký pozor při čištění oblasti u zvedacích nůžek, protože jejich případný pohyb by mohl způsobit zranění.



Nebezpečí poškození

- Při čištění opěradla nikdy nepoužívejte vysokotlaký čistič.

1. Očistěte výrobek pomocí hadříku nebo kartáčku.
2. Opláchněte výrobek teplou vodou.
3. Osušte ho hadříkem.
4. Opatrně promažte objímku pro kluznici (viz obr. 3.1, popisek  v kapitole 3.3 *Součásti, strana 287*) pomocí vazelíny.

Čištění potahů (volitelné)



Doporučujeme vyprat potahy před prvním použitím. Z hygienických důvodů se doporučuje čistit potahy pravidelně a jednou za rok je vyměnit.

1. Odepněte potah ze sedadla a opěradla.
2. Potahy perte v pračce s jemným pracím prostředkem při maximální teplotě 60 °C.



Nebezpečí poškození

- Praní při vyšších teplotách může vést k poškození nebo sražení potahu.
- Potahy nesušte v bubnové sušičce.

Čištění nabíječky a ručního ovladače



VAROVÁNÍ!

Nebezpečí zasažení elektrickým proudem

- Před čištěním nabíječky vždy odpojte zástrčku z elektrické zásuvky.
- Do zdířky pro konektor ručního ovladače nikdy nevkládejte předměty z vodivých materiálů (např. pletací jehlice nebo kovové špendlíky).
- Při čištění nabíječky nikdy nepoužívejte mokrou ani vlhkou hadřík.

1. Poté nabíječku otřete suchým hadříkem.
2. Ruční ovladač očistěte vlhkým hadříkem.
3. Poté ruční ovladač osušte suchým hadříkem.

7.2.4 Pokyny k dezinfekci



Informace o doporučených dezinfekčních prostředcích a postupech naleznete na stránce <https://vah-online.de/en/for-users>.

V domácí péči

Postup: Postupujte podle pokynů pro použití daného dezinfekčního prostředku a vydezinfikujte všechny přístupné povrchy.

Dezinfekční prostředek: Běžný domácí dezinfekční prostředek.

Sušení: Nechejte výrobek volně uschnout.

V klinické a dlouhodobé péči

Postupujte podle svých interních dezinfekčních postupů a používejte pouze dezinfekční prostředky a postupy v nich uvedené.

8 Po použití

8.1 Skladování



Nebezpečí poškození

- Neskladujte výrobek poblíž zdrojů tepla.
- Neskladujte baterii poblíž otevřeného ohně.
- Nevystavujte zařízení působení přímého slunečního světla.
- Podmínky pro uskladnění a přepravu naleznete v části *10.4 Parametry prostředí, strana 306*

8.2 Repase

Tento výrobek je vhodný k opakovanému použití. Chcete-li výrobek repasovat pro nového uživatele, postupujte následovně:

- Kontrola
- čištění a dezinfekce,

Podrobné informace najdete v části *7 Údržba, strana 299* a servisní příručce tohoto výrobku.

Zajistěte, aby byla uživatelská příručka předána společně s výrobkem.

Pokud zjistíte jakékoli poškození nebo poruchu, výrobek znovu nepoužívejte.

8.3 Likvidace



VAROVÁNÍ!

Nebezpečí pro životní prostředí

Zařízení obsahuje baterie.

Tento výrobek může obsahovat látky potenciálně škodlivé pro životní prostředí, bude-li zlikvidován na místech (skládkách), která nesplňují zákonné požadavky.

- NEVYHAZUJTE baterie do komunálního odpadu.
- NEVHAZUJTE baterie do ohně.
- Baterie MUSÍ být zlikvidovány na odpovídajícím sběrném místě. Odevzdání je požadováno zákonem a je bezplatné.
- Vyhazujte pouze vybité baterie.
- Před vyhozením lithiových baterií umístěte na jejich kontakty kryty.
- Informace o typu baterií naleznete na štítku baterie nebo v kapitole *10 Technické Údaje, strana 305*

Buďte zodpovědní k životnímu prostředí a tento výrobek po skončení životnosti recyklujte.

Výrobek a jeho součásti rozeberte, aby bylo možné jednotlivé materiály oddělit a recyklovat samostatně.

Likvidace a recyklace použitých výrobků a obalů musí odpovídat místním zákonům a předpisům pro nakládání s odpady. Další informace vám poskytne společnost zabývající se zpracováním odpadů.

9 Odstraňování potíží

9.1 Identifikace a oprava závad



Následující tabulka poskytuje informace o závadách a jejich možných příčinách. Nedokážete-li závadu opravit pomocí uvedených prostředků, obraťte se přímo na dodavatele.

Závada	Možná příčina	Náprava
Není slyšet zvuk motoru / zvedák se nehýbe.	Zdířka pro konektor ručního ovladače není správně připojena.	Připojte zdířku pro konektor, → 4.2 Umístění vanového zvedáku do vany, strana 289
	Baterie je vybitá.	Baterii plně nabijte, → 4.3 Nabíjení baterie, strana 293
	Kontakty jsou znečištěné.	Vyčistěte konektor na opěradle → v případě potřeby kontaktujte dodavatele.
	Kabel je rozdrčen/poškozen.	Vyměňte ruční ovladač → v případě potřeby kontaktujte dodavatele.
Zvedák lze posunout vzhůru, ale ne dolů.	Je aktivována ochrana nízkého napětí.	Baterii plně nabijte, → 4.3 Nabíjení baterie, strana 293
Zvedák se při pohybu vzhůru zastaví.	Nadměrné zatížení.	Respektujte limit zatížení, → 10.1 Rozměry a hmotnost, strana 305
Vanový zvedák nedosedá bezpečně na vanu.	Přísavky jsou staré nebo poškozené.	Vyměňte přísavky → v případě potřeby kontaktujte dodavatele.
Baterie se nenabíjí a během nabíjení pořád bliká červená kontrolka.	Chyba elektroniky.	Požádejte svého autorizovaného dodavatele, ať ruční ovladač zkontroluje.
	Vadná baterie.	Vyměňte ruční ovladač.

Závada	Možná příčina	Náprava
	Vadná nabíječka.	Požádejte svého autorizovaného dodavatele, ať nabíječku zkontroluje.
	Baterie je příliš horká.	Nenabíjejte ruční ovladač poblíž zdrojů tepla, např. topných prvků, nebo na přímém slunci. Nabíjení bude automaticky pokračovat, když teplota poklesne do povoleného rozmezí.

10 Technické Údaje

10.1 Rozměry a hmotnost

Celková délka v nejnižší poloze	920 mm
Celková délka v nejvyšší poloze	650 mm
Celková výška v nejvyšší poloze	1075 mm
Délka sedadla	590 mm
Šířka sedadla s odklopenými bočními klapkami	715 mm
Šířka sedadla s přiklopenými bočními klapkami	390 mm
Výška sedadla v nejnižší poloze	60 mm
Výška sedadla v nejvyšší poloze	420 mm
Šířka opěradla	360 mm
Minimální úhel opěradla	8°
Šířka základní desky	295 mm
Maximální zátěž (ORCA / ORCA F)	140 kg
Maximální zátěž (ORCA XL)	170 kg
Celková hmotnost bez ručního ovladače (ORCA)	10,8 kg
(ORCA F)	11,4 kg
(ORCA XL)	11,6 kg

Hmotnost sedadla (ORCA) (ORCA F) (ORCA XL)	6,6 kg 7,2 kg 7,4 kg
Hmotnost opěradla (ORCA / ORCA F / ORCA XL)	4,2 kg
Hmotnost ručního ovladače	0,4 kg
Hmotnost nabíječky	0,1 kg

10.2 Elektronické údaje

Aktivační síla pro tlačítka na ručním ovladači	< 5 N
Provozní napětí ručního ovladače ¹⁾	11,1 V DC / 10,95 V DC / 10,8 V DC
Jmenovitý příkon ¹⁾	44 VA / 43 VA
Jmenovitý proud	4 A
Typ baterie	Lithium-iontová
Vstupní napětí nabíječky	100–240 V AC, 50–60 Hz
Výstupní napětí nabíječky	24 V DC, max. 135 mA, 3 VA
Doba nabíjení od momentu výstrahy nízkého napětí	přibližně 4,5 h
Typ ochrany, pohon	IP X6 W ²⁾

Typ ochrany, ruční ovladač	IP 67 ³⁾
Typ ochrany, celé zařízení	IP X6 ⁴⁾
Hladina akustického výkonu	52 dB(A)

Ovládací zařízení se nevypne, když je výrobek přetížen. Nepřetěžujte vanový zvedák, aby nedošlo k poškození.

¹⁾ 11,1 V DC / 44 VA platí při použití ručních ovladačů s napětím 11,1 V uvedeným na zadní části ručního ovladače. 10,95 V DC / 44 VA platí při použití ručních ovladačů s napětím 10,95 V uvedeným na zadní části ručního ovladače. 10,8 V DC / 43 VA platí při použití ručních ovladačů s napětím 10,8 V uvedeným na zadní části ručního ovladače.

²⁾ Chráněné proti vniknutí vody v případě silného proudu vody, testováno za vyhrazených podmínek.

³⁾ Prachotěsné a chráněné pro vniknutí vody při dočasném ponoření.

⁴⁾ Chráněné proti vniknutí vody v případě silného proudu vody.

10.3 Materiály

Opěradlo	PPGF
Deska sedadla	PPGF
Potahy	PVC



Všechny použité materiály jsou odolné vůči korozi a neobsahují latex.

10.4 Parametry prostředí

Provozní podmínky	
Okolní teplota	10–40 °C
Relativní vlhkost	15 % – 93 %, nekondenzující
Atmosférický tlak	795–1 060 hPa
Podmínky při uskladnění a přepravě	
Okolní teplota	0–40 °C
Relativní vlhkost	30 % – 75 %, nekondenzující
Atmosférický tlak	795–1 060 hPa

Invacare® distributors

Belgium & Luxemburg:

Invacare nv
Autobaan 22
B-8210 Loppem
Tel: (32) (0)50 83 10 10
Fax: (32) (0)50 83 10 11
belgium@invacare.com
www.invacare.be

Danmark:

Invacare A/S
Sdr. Ringvej 37
DK-2605 Brøndby
Tel: (45) (0)36 90 00 00
Fax: (45) (0)36 90 00 01
denmark@invacare.com
www.invacare.dk

Deutschland:

Invacare GmbH
Am Achener Hof 8
D-88316 Isny
Tel: (49) (0)7562 700 0
kontakt@invacare.com
www.invacare.de

EU Export:

Invacare GmbH
Am Achener Hof 8
D-88316 Isny
Tel: (49) 7562 700 397
eu-export@invacare.com
www.invacare.eu.com

España:

Invacare S.A.
Avenida del Oeste, 50 – 1^a.^a
Valencia-46001
Tel: (34) 972 493 214
contactsp@invacare.com
www.invacare.es

France:

Invacare Poirier SAS
Route de St Roch
F-37230 Fondettes
Tel: (33) (0)2 47 62 64 66
Fax: (33) (0)2 47 42 12 24
contactfr@invacare.com
www.invacare.fr

Ireland:

Invacare Ireland Ltd,
Unit 5 Seatown Business Campus
Seatown Road, Swords, County
Dublin
EirCode: K67 K271 — Ireland
Tel : (353) 1 810 7084
Fax: (353) 1 810 7085
ordersireland@invacare.com
www.invacare.ie

Italia:

Invacare Mecc San s.r.l.,
Via dei Pini 62,
I-36016 Thiene (VI)
Tel: (39) 0445 38 00 59
Fax: (39) 0445 38 00 34
italia@invacare.com
www.invacare.it

Nederland:

Invacare BV
Galvanistraat 14-3
NL-6716 AE Ede
Tel: (31) (0)318 695 757
nederland@invacare.com
www.invacare.nl

Norge:

Invacare AS
Grensesvingen 9, Postboks 6230,
Etterstad
N-0603 Oslo
Tel: (47) (0)22 57 95 00
Fax: (47) (0)22 57 95 01
norway@invacare.com
www.invacare.no

Österreich:

Invacare Austria GmbH
Herzog-Odilo-Straße 101
A-5310 Mondsee
Tel: (43) 6232 5535 0
Fax: (43) 6232 5535 4
info-austria@invacare.com
www.invacare.at

Portugal:

Invacare Lda
Rua Estrada Velha, 949
P-4465-784 Leça do Balio
Tel: (351) (0)225 193 360
Fax: (351) (0)225 1057 39
portugal@invacare.com
www.invacare.pt

United Kingdom:

Invacare Limited
Pencoed Technology Park, Pencoed
Bridgend CF35 5AQ
Tel: (44) (0) 1656 776 222
Fax: (44) (0) 1656 776 220
uk@invacare.com
www.invacare.co.uk

Schweiz / Suisse / Svizzera:

Invacare AG
Benkenstrasse 260
CH-4108 Witterswil
Tel: (41) (0)61 487 70 80
Fax: (41) (0)61 487 70 81
switzerland@invacare.com
www.invacare.ch

New Zealand:

Invacare New Zealand Ltd
4 Westfield Place, Mt Wellington
1060
New Zealand
Phone: 0800 468 222
Fax: 0800 807 788
sales@invacare.co.nz
www.invacare.co.nz

Sweden:

Invacare AB
Fagerstagatan 9
S-163 53 Spånga
Tel: (46) (0)8 761 70 90
Fax: (46) (0)8 761 81 08
sweden@invacare.com
www.invacare.se

Australia:

Invacare Australia Pty. Ltd.
1 Lenton Place, North Rocks NSW
2151
Australia
Phone: 1800 460 460
Fax: 1800 814 367
orders@invacare.com.au
www.invacare.com.au



Invacare GmbH
Am Achener Hof 8
D-88316 Isny
Germany



1574469-D 2021-06-02



Making Life's Experiences Possible®

AQUATEC®



Yes, you can.®